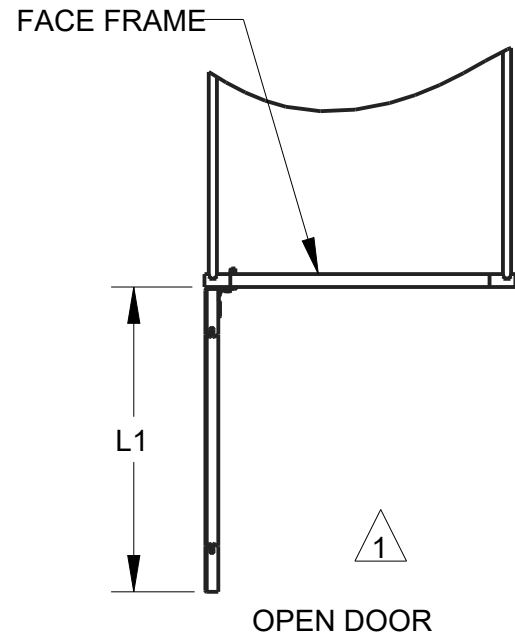
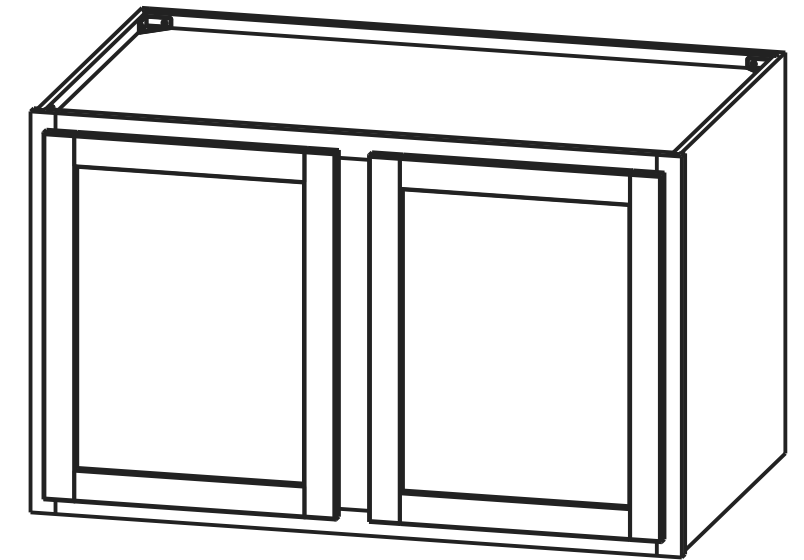
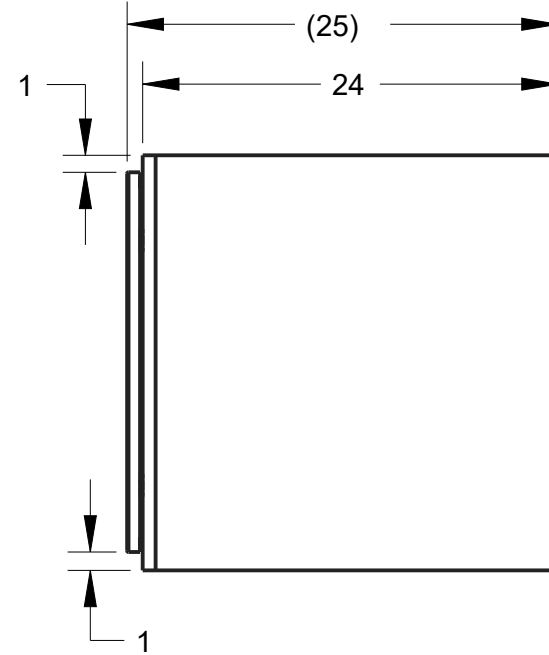
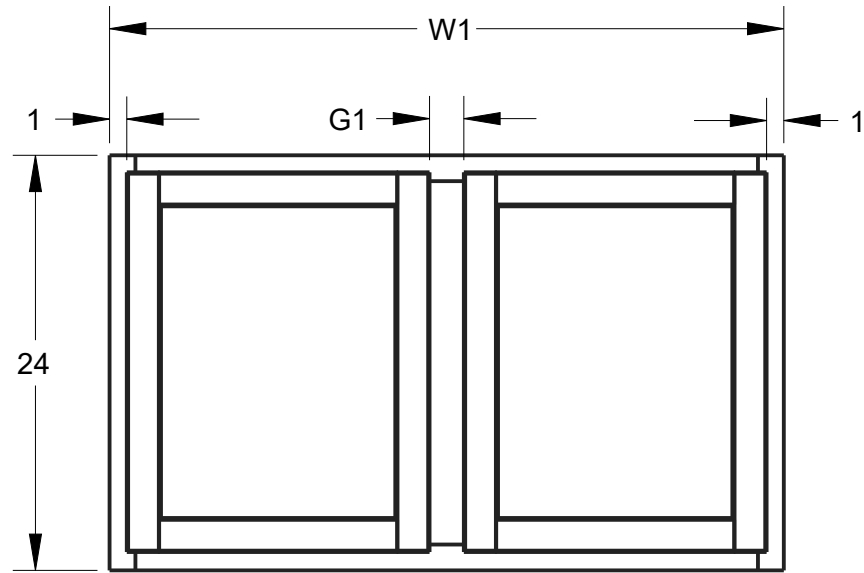


NOTES:

1 OPEN DOOR VIEW INCLUDES HINGE SPACE OFFSET.

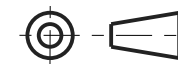
PRODUCT	W1	L1	G1	DOOR SIZE
			ROUNDED TO THE NEAREST 1/32	
W362424	36"	17 1/16"	(3/16")	16 29/32" X 21 31/32"
W392424	39"	17 11/16"	(2")	17 17/32" X 21 31/32"



PRODUCT SHOWN W392424

DOCUMENT STATUS Released

THIRD ANGLE PROJECTION



MATERIAL

FINISH

N/A

N/A



DESCRIPTION

W362424, W392424 HALF OVERLAY

DRAWN BY  
EDVIN GOLESTANYAN

DATE  
04MAR2021

DESIGNED BY  
NORTHPOINT

DATE

APPROVED BY  
ANDY BROWN

DATE  
08MAR2021

DRAWING NUMBER  
W362424-W392424\_HALF\_OVERLAY

REV  
**B**

SIZE  
A3

SCALE  
0.100

SHEET  
1 / 1

HARDWARE RESOURCES RESERVES THE RIGHT TO CHANGE SPECIFICATIONS WITHOUT NOTICE.  
IN CASE OF A DISCREPANCY, ACTUAL PART GEOMETRY SUPERSEDES THIS DOCUMENT.

THE INFORMATION CONTAINED WITHIN THIS DRAWING IS THE SOLE PROPERTY OF HARDWARE RESOURCES INC. ANY REPRODUCTION IN PART OR WHOLE WITHOUT WRITTEN PERMISSION OF HARDWARE RESOURCES INC. IS PROHIBITED.