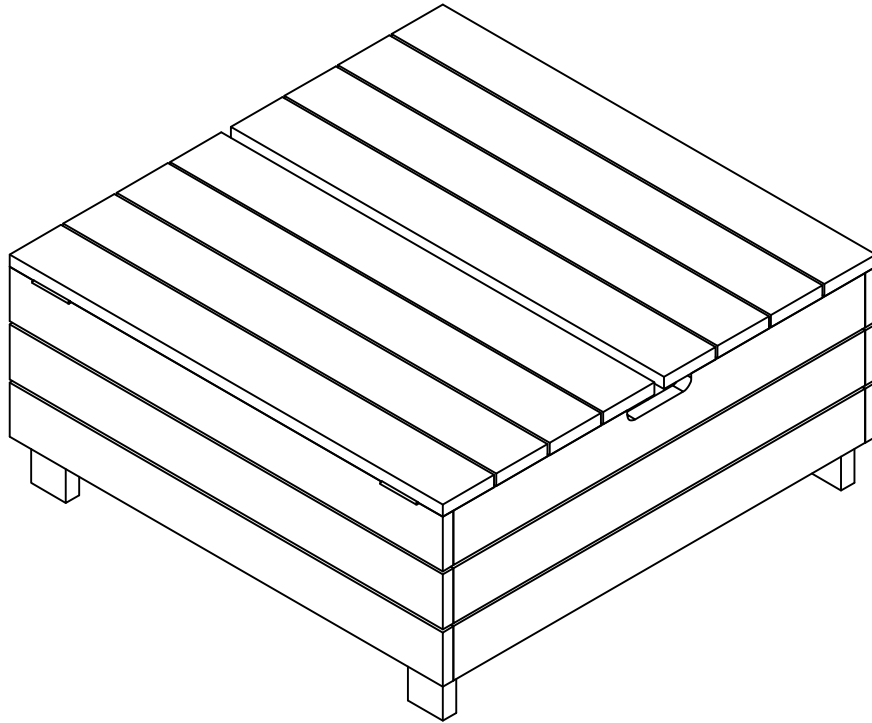


# ASSEMBLY INSTRUCTION

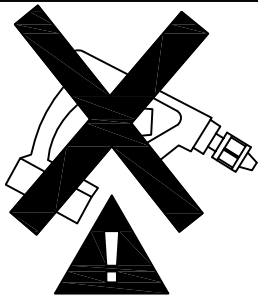
## Storage Coffee Table

80-OUTD-WD-STCT 32"Lx32"Wx15"H

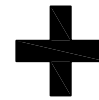
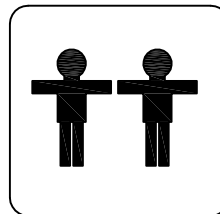


### Customer Service

If you have any questions about assembly or possible missing parts, please contact us and we will be glad to assist you. Contact us through our website: [www.TeamCustomerService.com](http://www.TeamCustomerService.com)

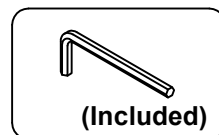


. Use of power tool to assemble this product will invalidate any claim and damage this product making it unsafe !!!  
. Please assemble on a clean soft surface to avoid damage.



60 minutes

### Tools Required



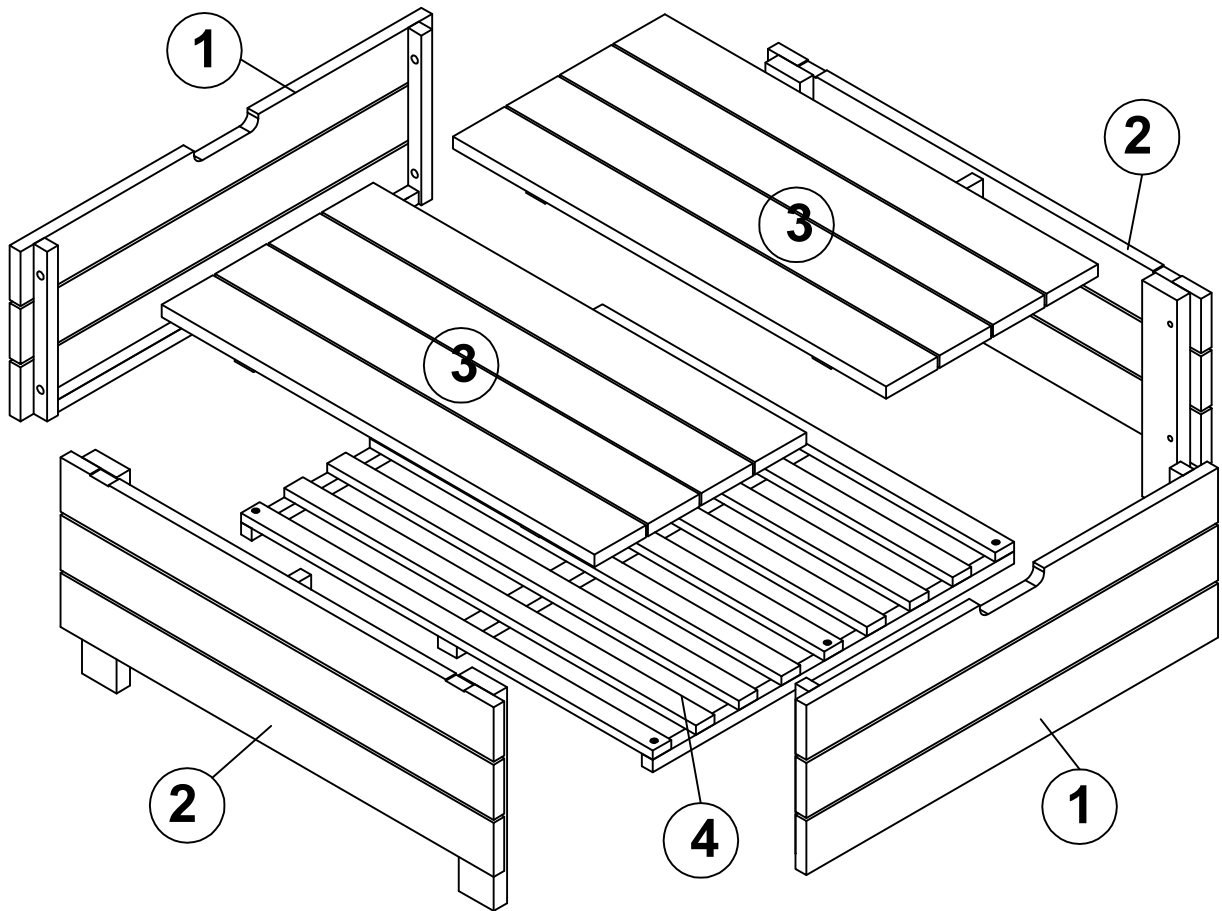
(Included)



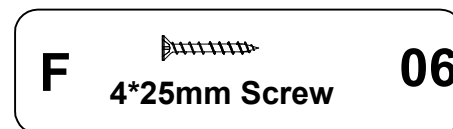
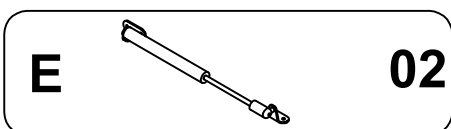
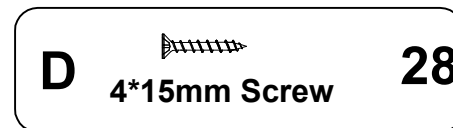
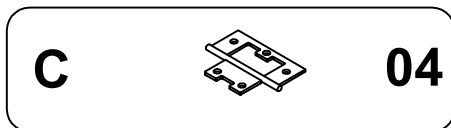
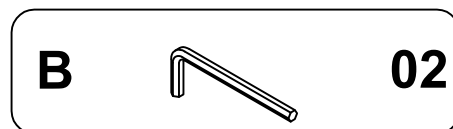
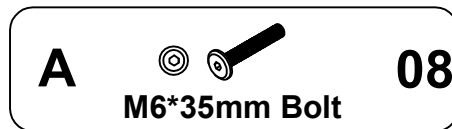
(Not Included)  
Phillips Screwdriver

[www.TeamCustomerService.com](http://www.TeamCustomerService.com)

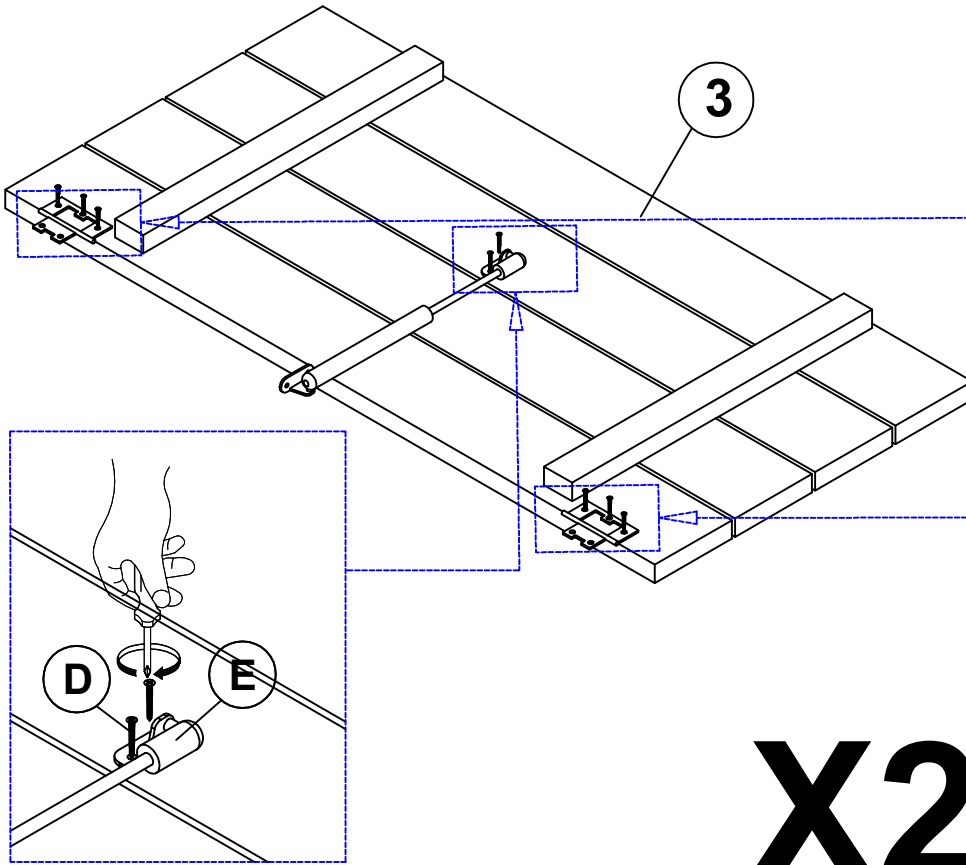
# Part list - Storage Coffee Table


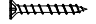
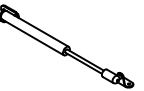
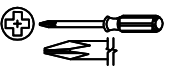


**Identifying the hardware**-Identify the hardware using the illustrations below



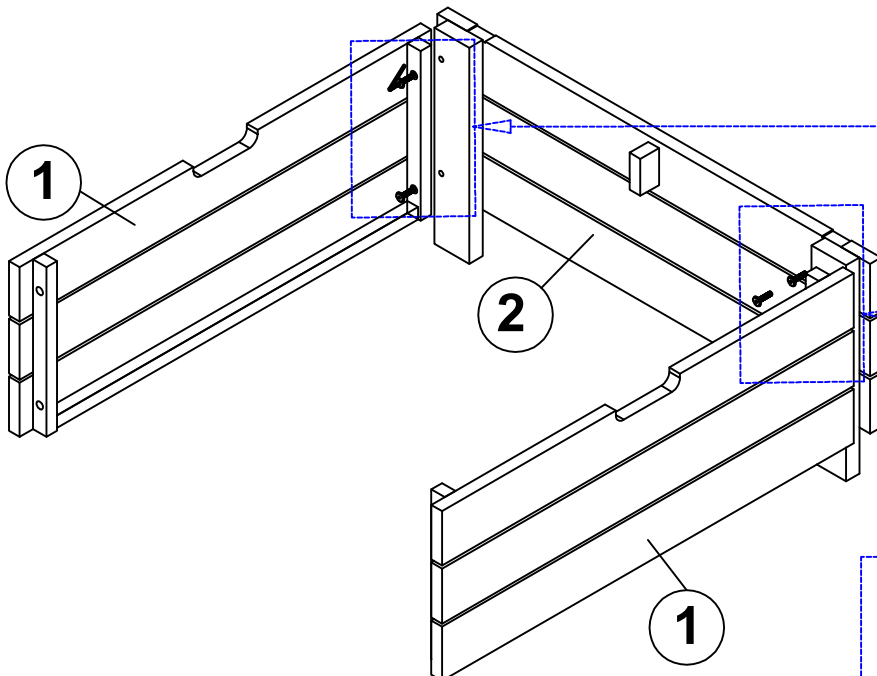
# Step 01


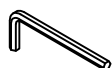


- C**  **04**
- D**  **4\*15mm Screw** **16**
- E**  **02**
-  **01**


# X2


# Step 02

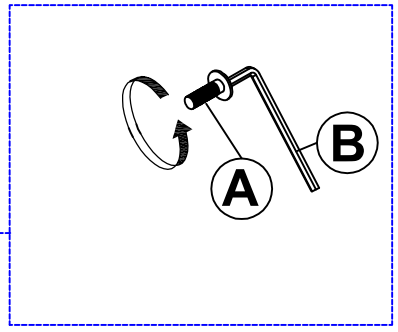
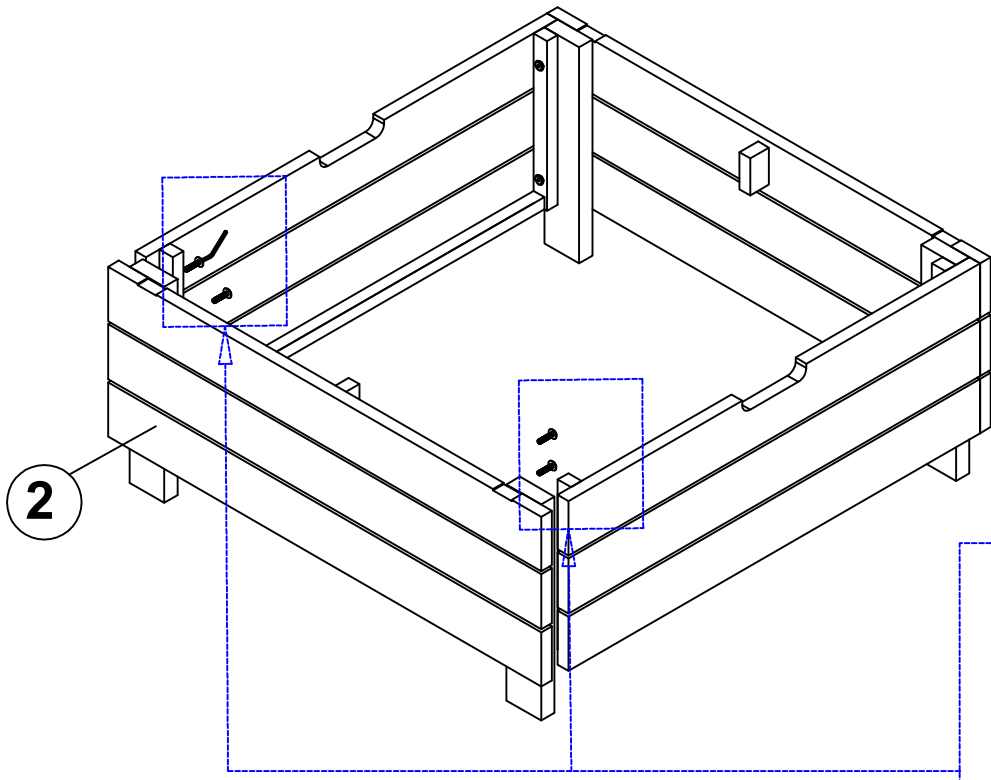


- A**  **M6\*35mm Bolt** **04**
- B**  **01**

# Step 03

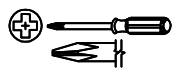
**A**  **04**  
M6\*35mm Bolt

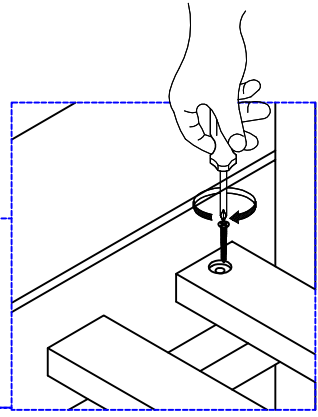
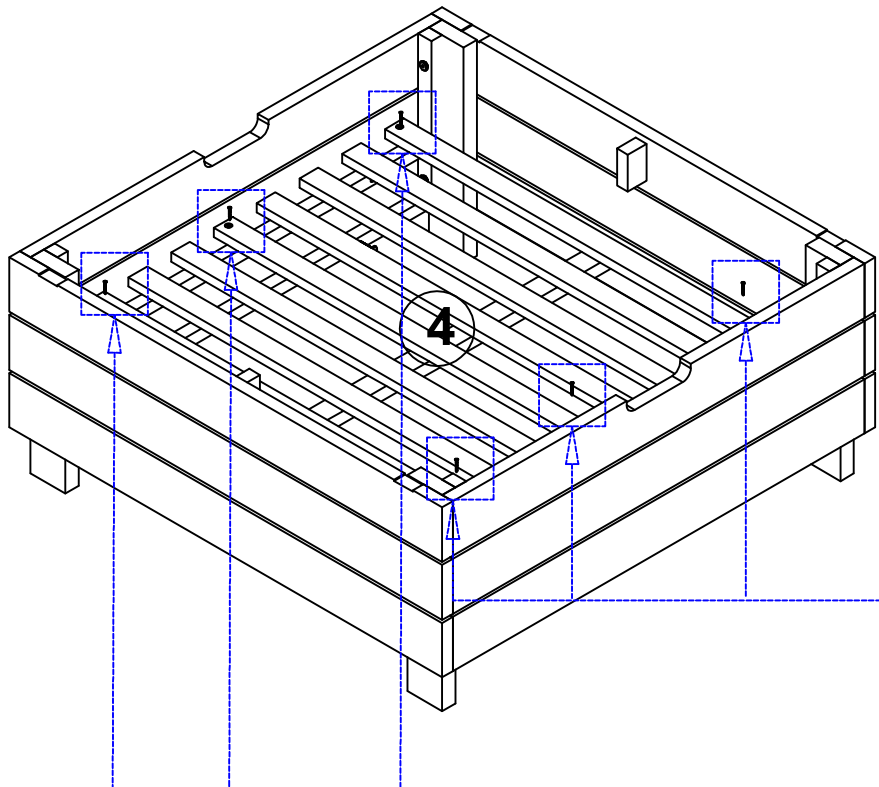
**B**  **01**



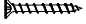
# Step 04


**F**  **06**  
4\*25mm Screw

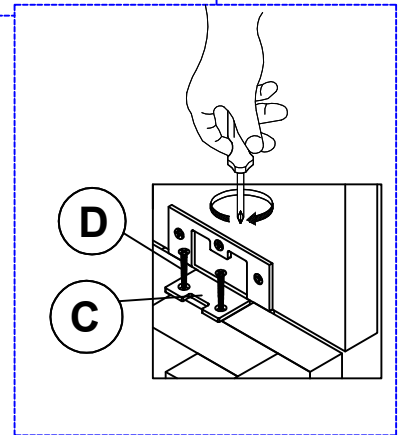
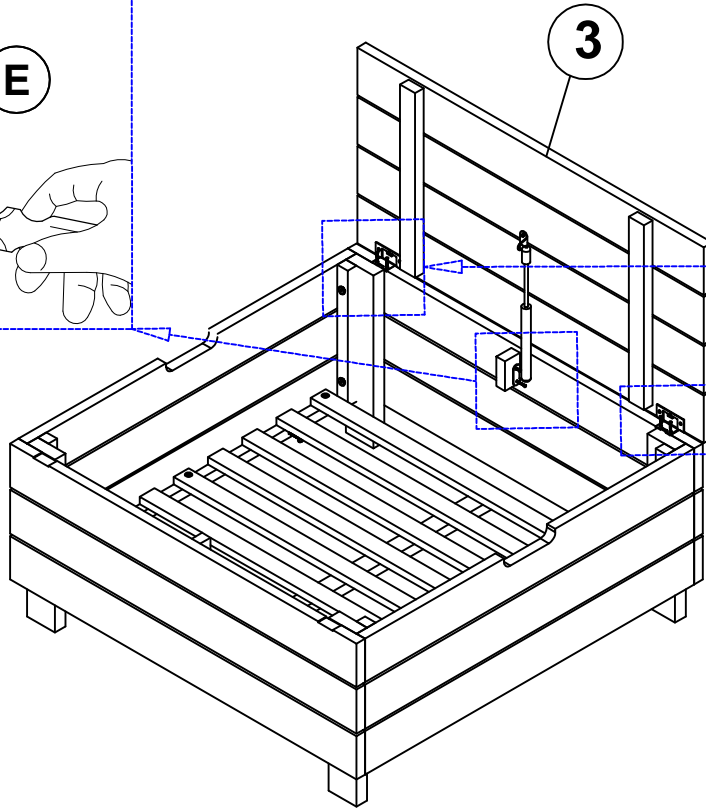
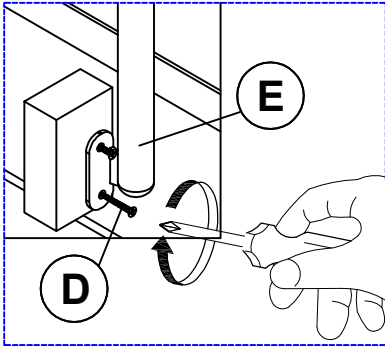
 **01**



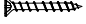
# Step 05


**D**  **06**

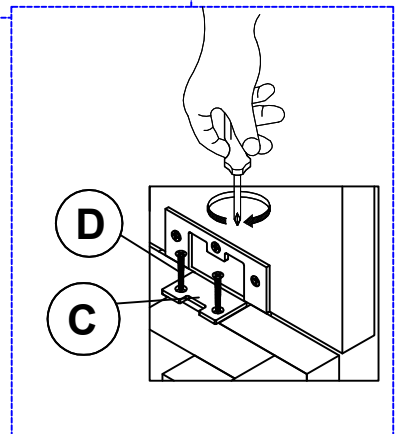
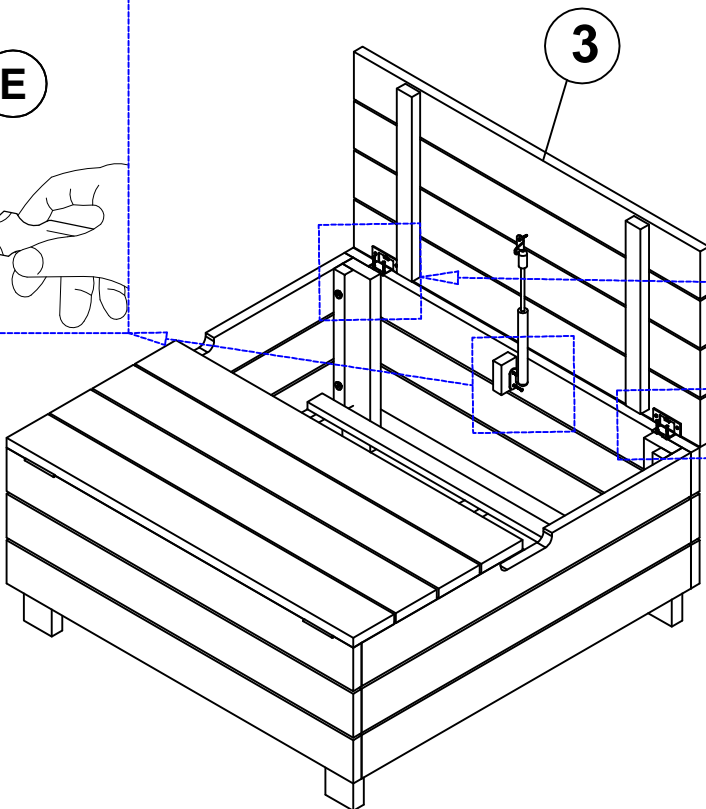
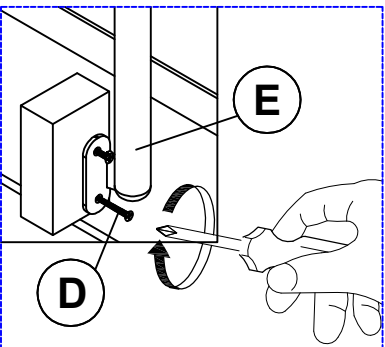
 **01**



# Step 06

**D**  **06**

 **01**



# Step 07

