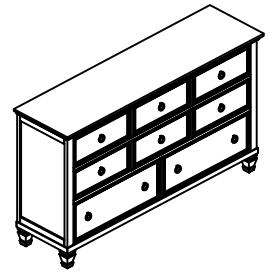


ASSEMBLY INSTRUCTIONS

TAMARACK

BB044-050 DRESSER







Thank you for purchasing this quality product. Be sure to check all packing materials carefully for small parts, which may have come loose inside the carton during shipment. Identify and count all items and compare with the parts list and/or hardware list shown below.

IMPORTANT NOTE :

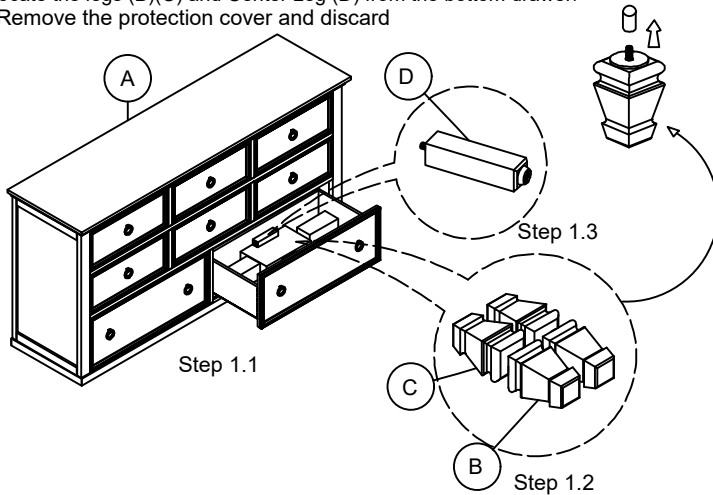
Place all wooden parts on a clean and smooth surface such as a rug or carpet to avoid the parts from being scratched. Check to be sure that you have all parts and hardware. Remove all wrapping materials, including staples & packing straps before you start to assemble. Do not tighten all screw/bolts until all completely assembled. Keep all hardware parts out of reach of children.

DO NOT TIGHTEN BOLTS/SCREWS UNTIL ALL COMPLETELY ASSEMBLED.

PARTS LIST			
NO.	DESCRIPTION		QTY
A		DRESSER	1 PC
B		FRONT LEG (WITH LABEL B-L)	2 PCS
C		BACK LEG (WITH LABEL C-L)	2 PCS
D		CENTER LEG	1 PC

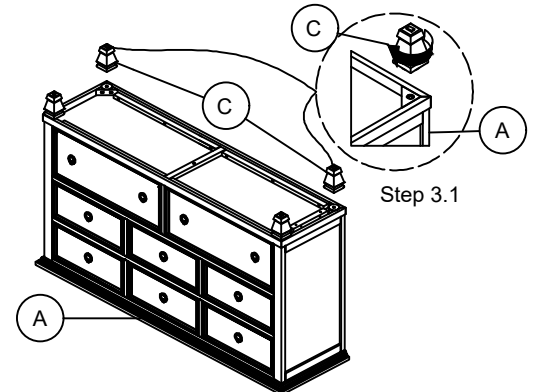
STEP 1

Locate the legs (B)(C) and Center Leg (D) from the bottom drawer.
*Remove the protection cover and discard



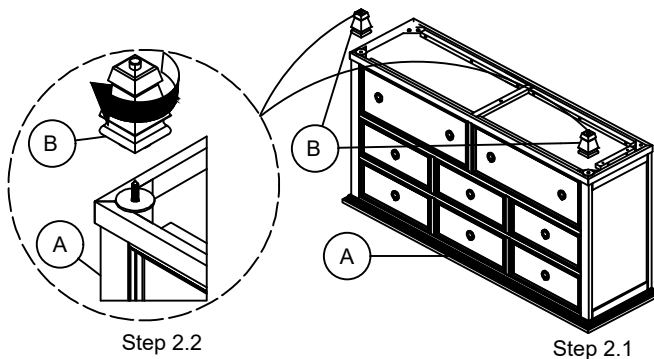
STEP 3

Identify the back legs and install the back legs (C) to the Dresser (A)



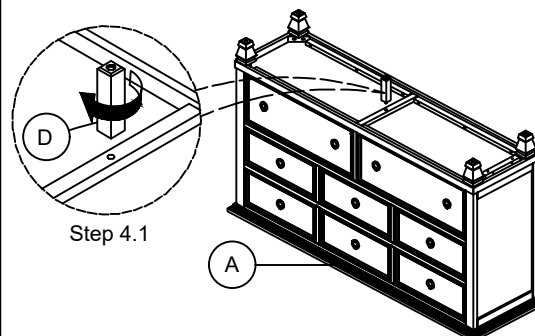
STEP 2

Place the dresser (A) upside down on a soft and flat surface.
Identify the front legs and install the front legs (B) to the Dresser (A)



STEP 4

Identify the Center leg (D) and install the Center leg (D) to the Dresser (A)



New Classic Home Furnishings