



Springdale®

16-1/4" undermount single-bowl bar sink
11449

Features

- No faucet holes; requires wall- or counter-mount faucet
- 8" (203 mm) depth
- 3-3/4" (95 mm) drain opening
- Stainless steel with luster finish

Material

- Premium 18-gauge stainless steel

Installation

- Undermount

Recommended Products/Accessories

- 7400 Stainless Steel Sink Drain and Strainer
- 11863 Sink Rack
- K-23726 Drain treatment
- K-23729 Stainless steel cleaner

Included Components

- 91915 Hardware Kit

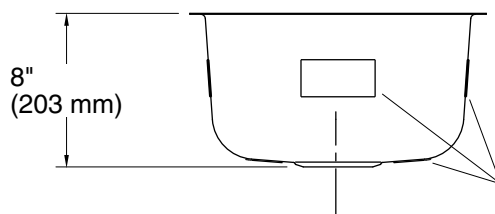
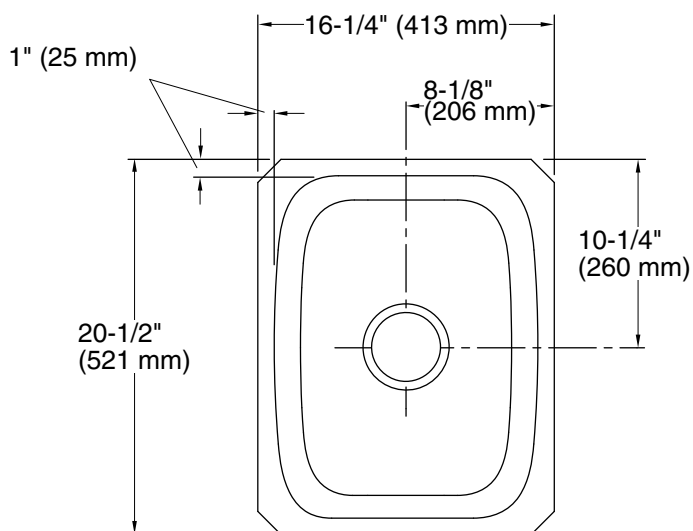


Codes/Standards

ASME A112.19.3/CSA B45.4

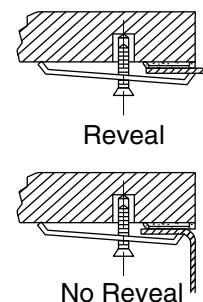
STERLING® Stainless Steel Sinks Lifetime Limited Warranty

See website for detailed warranty information.



SilentShield™ Sound Pads

Mounting bracket assembly provides a secure installation.



Technical Information

All product dimensions are nominal.

Basin configuration: Single Bowl
Min. base cabinet width: 21" (533 mm)

Bowl area (Only): Length: 14-1/4" (362 mm)
Width: 18-1/2" (470 mm)
Bowl depth: 8" (203 mm)
Water depth: 8" (203 mm)

Drain hole: 3-3/4" (95 mm)

Template: 1315842-7, required, included

Notes

Install this product according to the installation instructions.

Measure your actual product for roughing-in details.

Use the supplied cut-out template to select either a hidden or exposed rim.