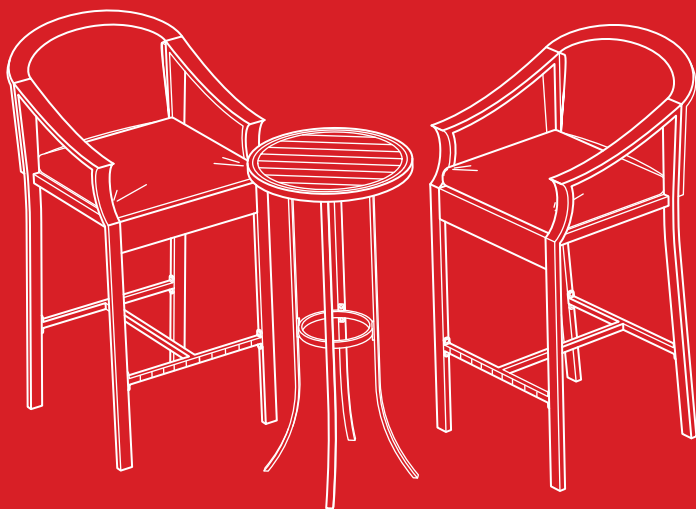




bestchoiceproducts



INSTRUCTION MANUAL

3-Piece Elevated Bistro Set

! NOTICE

Please retain these instructions for future reference.

NOTE: Fasten screws loosely during initial assembly. Do not firmly tighten screws until item is completely assembled.

- Do not stand on or use any part of this item as a step ladder.
- Do not stand on or use any part of this item as a step ladder.
- Firmly secure all bolts, screws, and knobs before use.
- Reconfirm that all bolts, screws, and knobs are secure every 90 days.
- Be aware that some parts are heavy and have sharp edges.
- If any parts are missing, broken, damaged, or worn, stop using this product until repairs are made and/or factory replacement parts are installed.
- Do not use this item in a way inconsistent with the manufacturer's instructions as this could void the product warranty.

TOOLS REQUIRED



ALLEN WRENCH
(PROVIDED)



130 LBS
CAPACITY



1X PERSON
ASSEMBLY



UP TO 30 MIN.
ASSEMBLY

HARDWARE

1

M6 X 15MM
SCREW



16 PCS

2

M6 WASHER



52 PCS

3

M6 X 20MM
SCREW



16 PCS

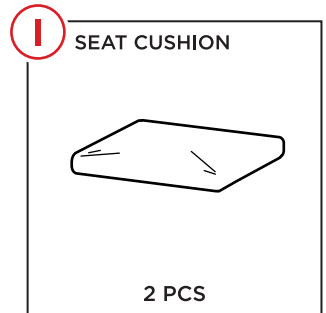
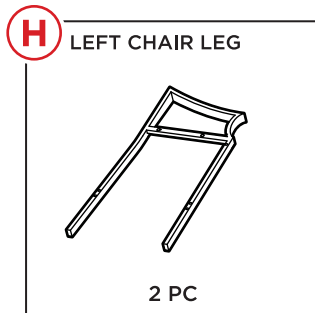
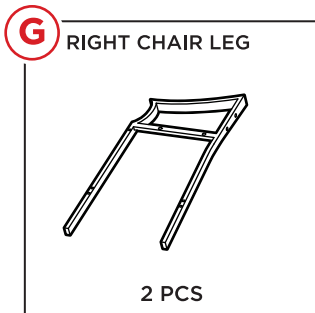
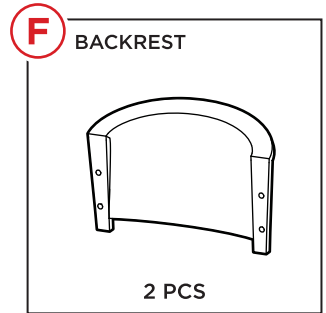
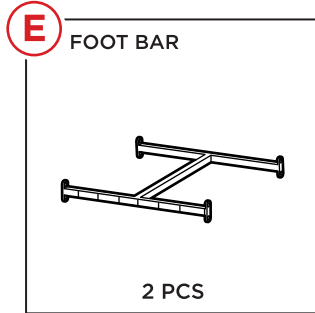
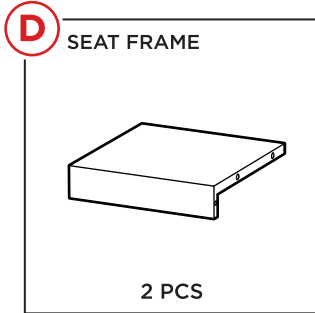
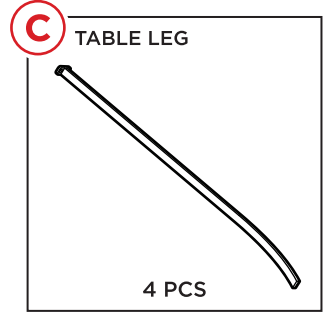
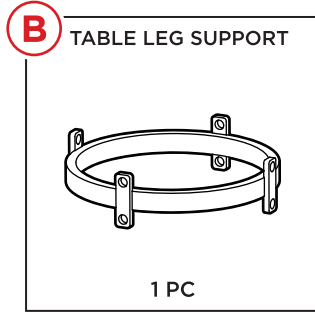
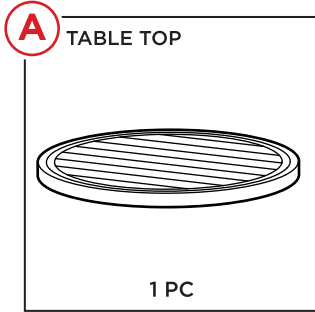
4

M6 X 35MM
SCREW



20 PCS

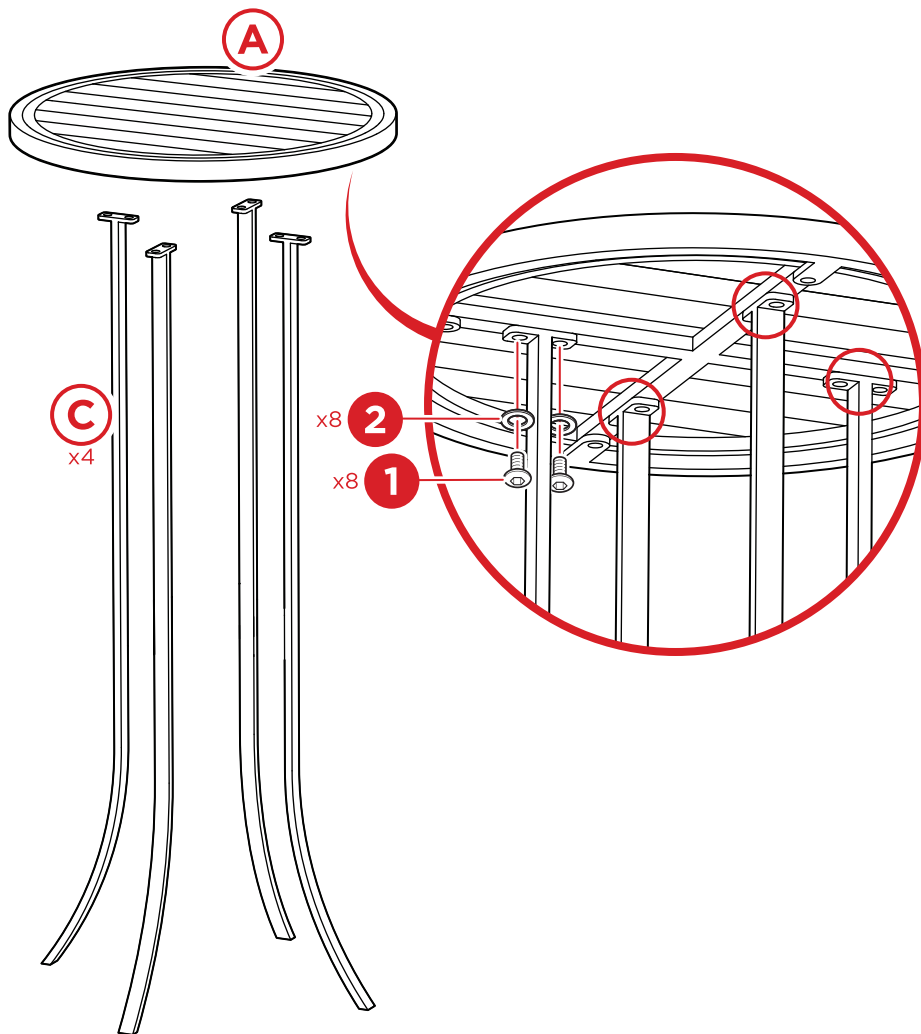
PARTS



PRODUCT ASSEMBLY - TABLE

1

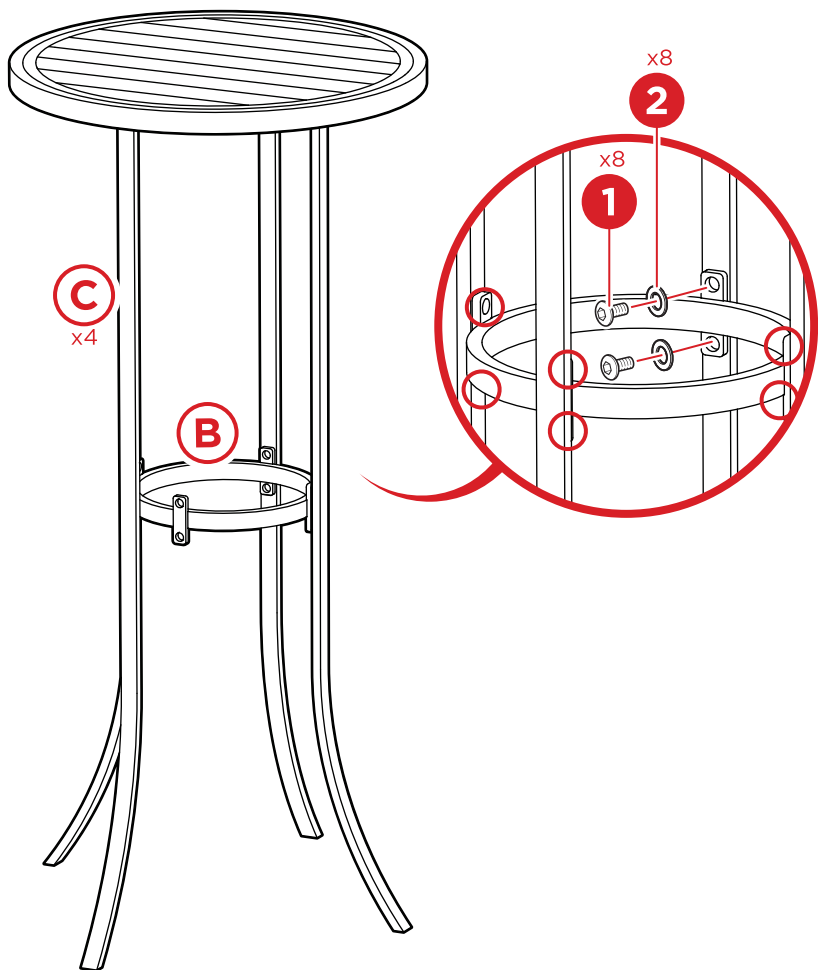
Attach four part C table legs to the part A table top with eight part 1 screws and eight part 2 washers, use two screws per leg.



PRODUCT ASSEMBLY - TABLE

2

Attach four part C table legs to the part B table leg support with eight part 1 screws and eight part 2 washers, use two screws per leg.

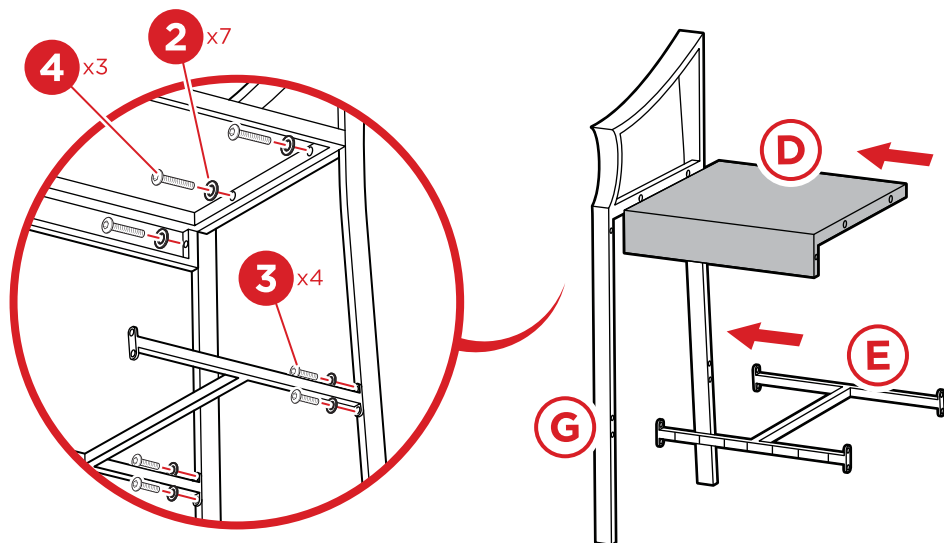


PRODUCT ASSEMBLY - CHAIR

1

Locate one part G right chair leg and attach the part D seat frame with three part 4 screws and three part 2 washers.

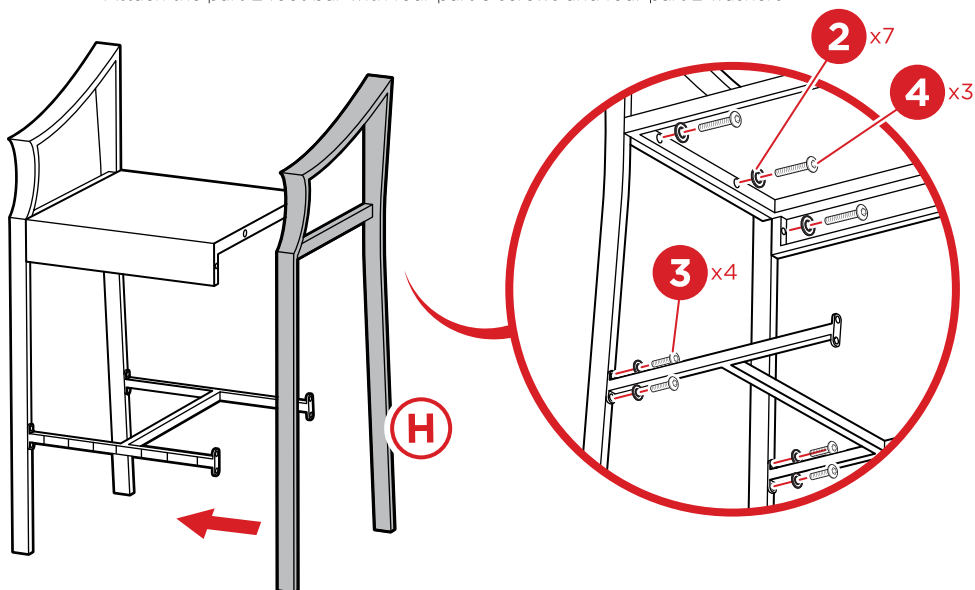
Attach one part E foot bar with four part 3 screws and four part 2 washers.



2

Locate and attach one part H left chair leg to the part D seat frame with three part 4 screws and three part 2 washers.

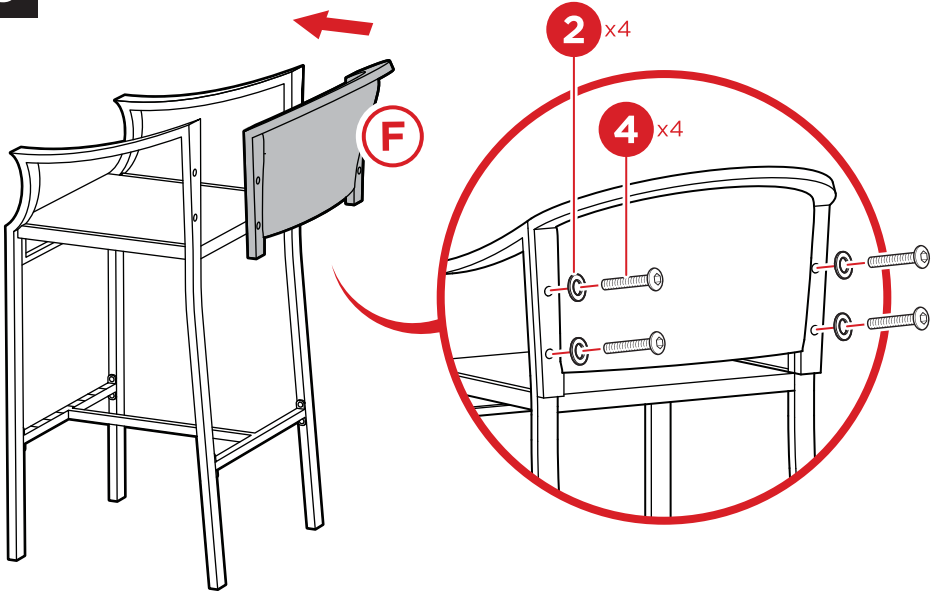
Attach the part E foot bar with four part 3 screws and four part 2 washers.



PRODUCT ASSEMBLY - CHAIR

3

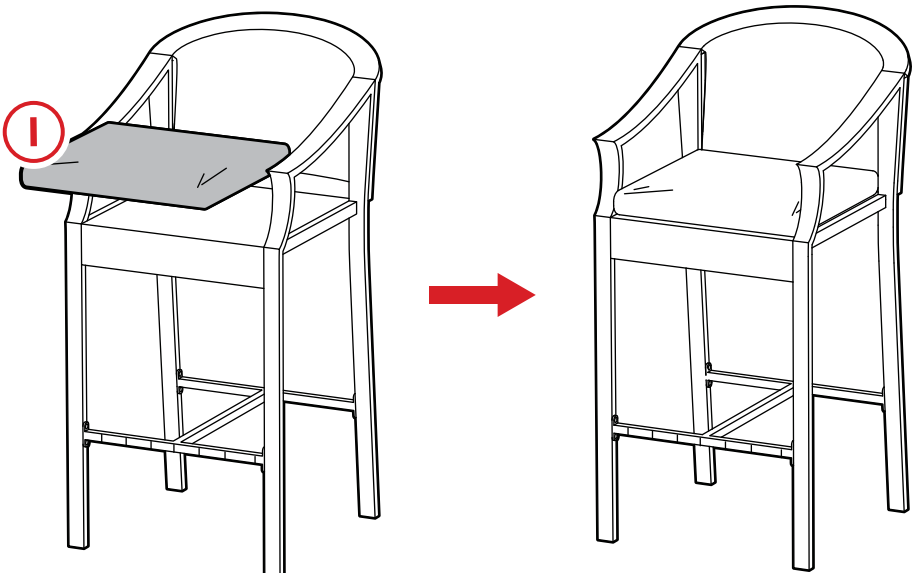
Attach one part F backrest to the left and right chair legs with four part 4 screws and four part 2 washers.



4

Place one part I seat cushion onto the assembled chair and enjoy.

Repeat steps 1-4 of the section: "Product Assembly - Chair" to assemble a second chair.





HELP CENTER



Question about your product? We're here to help. Visit us at:

help.bestchoiceproducts.com



Product Assembly



Returns & Refunds

PRODUCT WARRANTY INFORMATION

All items can be returned for any reason within 60 days of the receipt and will receive a full refund as long as the item is returned in its original product packaging and all accessories from its original shipment are included. All returned items will receive a full refund back to the original payment method. All returned items will not be charged a re-stocking fee.

All returned items require an RA (Return Authorization) number, which can only be provided by a Best Choice Products Customer Service Representative when the return request is submitted. Items received without an RA may not be accepted or may increase your return processing time. Once an item has been received by Best Choice Products, refunds or replacements will be processed within 5 business days.

All returns must be shipped back to the Best Choice Products Return Center at the customer's expense. If the reason for return is a result of an error by Best Choice Products then Best Choice Products will provide a pre-paid shipping label via email. Boxes for return shipping will not be provided by Best Choice Products, and is the customer's responsibility to either use the original shipping boxes or purchase new boxes.

Pictures may be required for some returns to ensure an item is not damaged prior to its return. Items returned are not considered undamaged until they are received by Best Choice Products and verified as such. All damages to items are the customer's responsibility until the item has been received by and acknowledge by Best Choice Products as undamaged.

WARNING

Manufacturer and seller expressly disclaim any and all liability for personal injury, property damage or loss, whether direct, indirect, or incidental, resulting from the incorrect attachment, improper use, inadequate maintenance, unapproved modification, or neglect of this product.