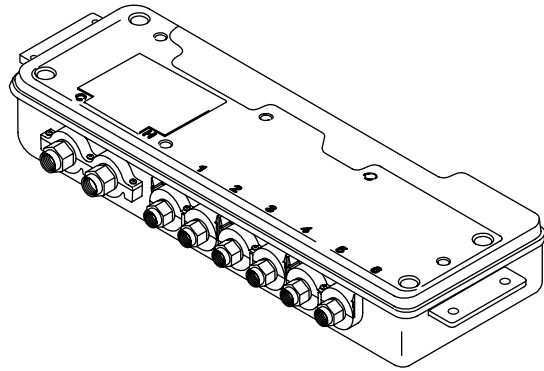


Features

- Digitally controlled
- Brass valve body
- High-flow valving
- Temperature-balancing mechanism
- Scald hazard prevention
- Crossflow prevention
- Includes filter screens
- 6 independent water outlets
- Mounts within a standard 2x4 wall
- 3/4" NPT inlet and 1/2" NPT outlet connections
- Optional accessory for DTV™ II and DTV™-Bath systems

SIX-PORT THERMOSTATIC VALVE K-682-K



Codes/Standards Applicable

Specified model meets or exceeds the following:

- ASME 112.18.1/CSA B125
- IAPMO/UPC
- ASSE 1016
- CSA C222 No. 218.2-93
- UL 1951
- FCC Part 15

Colors/Finishes

- NA: None applicable

Accessories:

- 1CP: Complements Chrome Finishes
- 1SN: Complements Nickel Finishes
- 1AF: Complements French Gold and Brushed Bronze

Specified Model

Model	Description	Colors/Finishes
K-682-K	Six-Port Thermostatic Valve	<input type="checkbox"/> NA

Required Accessories – for Water Only Showering Systems*

K-683	DTV landscape digital interface	<input type="checkbox"/> 1CP	<input type="checkbox"/> 1SN	<input type="checkbox"/> 1AF
K-684	DTV portrait digital interface	<input type="checkbox"/> 1CP	<input type="checkbox"/> 1SN	<input type="checkbox"/> 1AF

* Other accessories are required when used in DTV II and DTV-Bath systems.

Optional Accessories*

K-685	DTV landscape auxiliary digital interface	<input type="checkbox"/> 1CP	<input type="checkbox"/> 1SN	<input type="checkbox"/> 1AF
K-686	DTV portrait auxiliary digital interface	<input type="checkbox"/> 1CP	<input type="checkbox"/> 1SN	<input type="checkbox"/> 1AF

* Other optional accessories are available when used in DTV II and DTV-Bath systems.

Product Specification:

The digitally controlled mixing valve body shall be of brass construction. Product shall feature high-flow valving, temperature-balancing and scald hazard prevention mechanisms, and a high-temperature limit setting for added safety. Product shall feature 6 independent water outlets. Product shall mount within a standard 2x4 wall. Product shall also feature filter screens, crossflow prevention, 3/4" NPT inlet and 1/2" NPT outlet connections. Product is an optional accessory for DTV™ II and DTV™-Bath systems. This product must be installed with a user interface. The digital mixing valve shall be Kohler Model K-682-K-NA.

Required Electrical Service

Dedicated circuit required, protected with Class A Ground-Fault Circuit-Interrupter (GFCI) or Residual Current Device (RCD):

Locate a 120 V outlet within close proximity to the valve.

Installation Notes

Install this product according to the installation guide.

This valve should be used in shower systems only and is not intended to be connected to bath spouts unless installed in a DTV-Bath system.

Provide access for servicing valve.

Use 3/4" supply lines for optimum performance.

A hot water system equal to 80 gallons (102 L) is recommended.

Water heater must be set no higher than 125°F (52°C)

Do not install this valve in walls exposed to subfreezing temperatures.

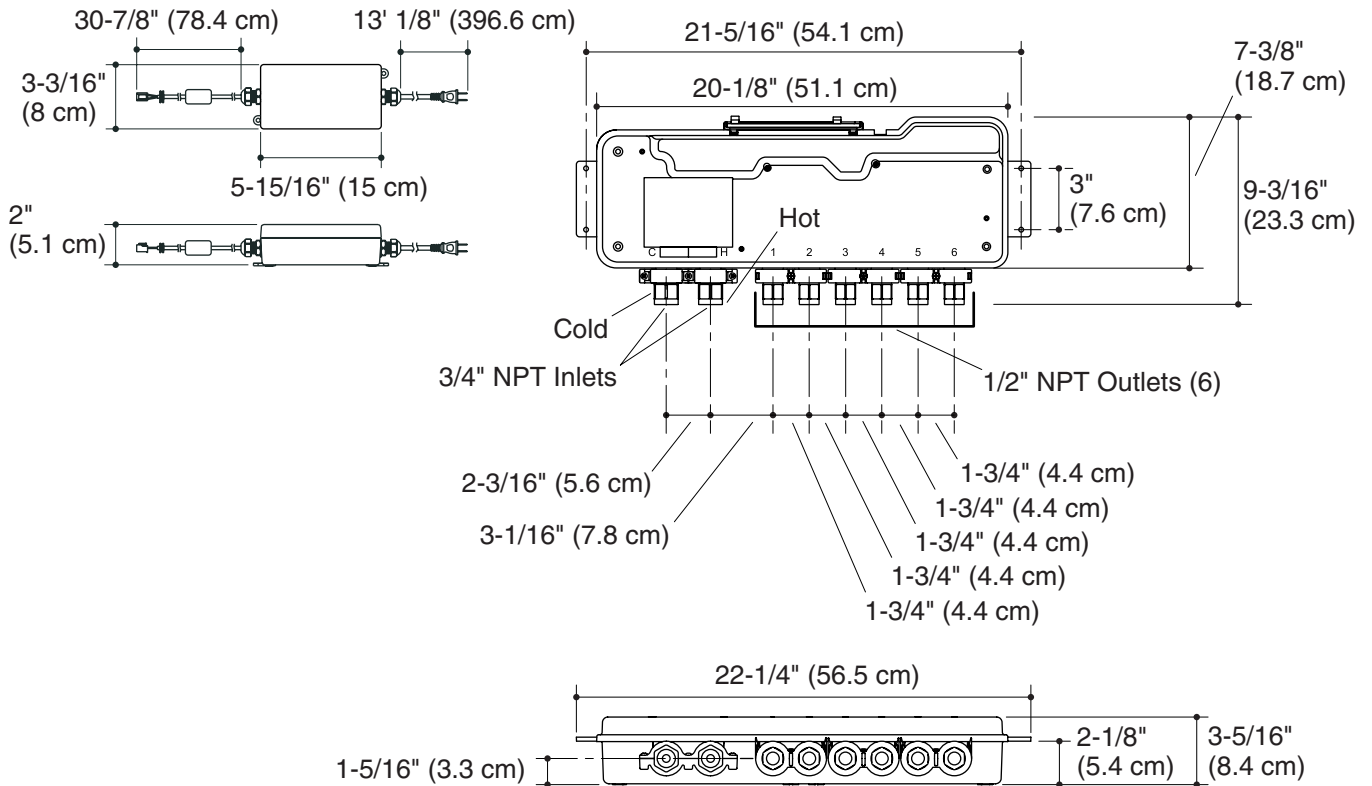
Avoid mounting the valve in a wall adjacent to a frequently occupied room, such as a bedroom or living room.

Pressure regulators are strongly recommended in applications where large pressure swings are anticipated or pressure differences between the supplies exist, such as commercial installations with separate hot and cold supply systems.

Water hammer arrestors and shut-offs are required in both the hot and cold supplies.

A 1/2" NPT plug must be installed in any unused outlet.

Shower drain capacity must meet the shower system flow rate. DTV is capable of flowing a maximum of 21 gpm (71.5 lpm) at 45 PSI (310.3 kPa).



Product Diagram