



Underscore®
 65-1/2" x 35-3/4" drop-in bath with Bask® heated
 surface
K-5715-W1

Features

- Bask® heated surface creates spa-like relaxation with soothing warmth on your back, shoulders, and neck
- Three heat settings allow you to customize the surface temperature
- Integral lumbar support
- Oval basin creates a spacious bathing experience
- Slotted overflow allows for deep soaking

Material

- Acrylic

Installation

- Requires Clearflo slotted overflow bath drain (sold separately)
- Center drain
- Drop-in or undermount

Required Products/Accessories

K-7271 Brass Slotted Overflow Bath Drain

or

K-7272 PVC Slotted Overflow Bath Drain

Recommended Products/Accessories

K-883 Undermount installation kit

K-23726 Drain treatment



Codes/Standards

CSA B45.5/IAPMO Z124

UL 1795

CSA C22.2 No. 218.2

cUL Listed

UL Listed





KOHLER® Plastic Baths and Shower Bases Lifetime Limited Warranty
KOHLER® Hydrotherapy Components Five-Year Limited Warranty

See website for detailed warranty information.

Available Colors/Finishes

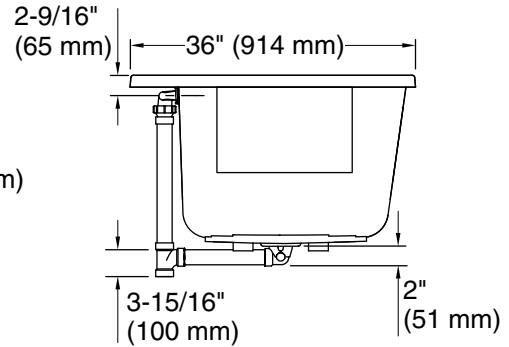
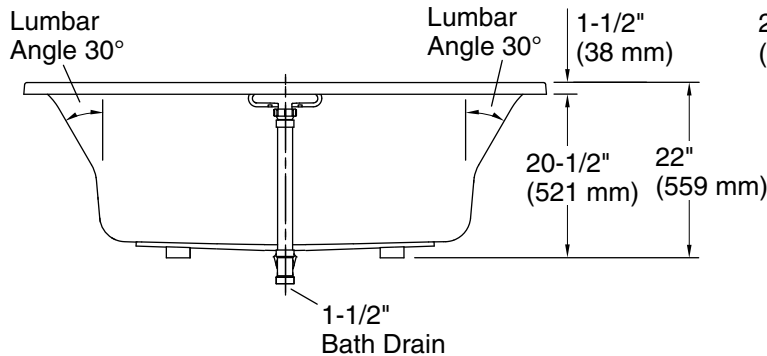
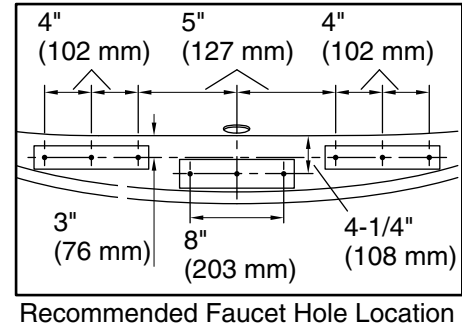
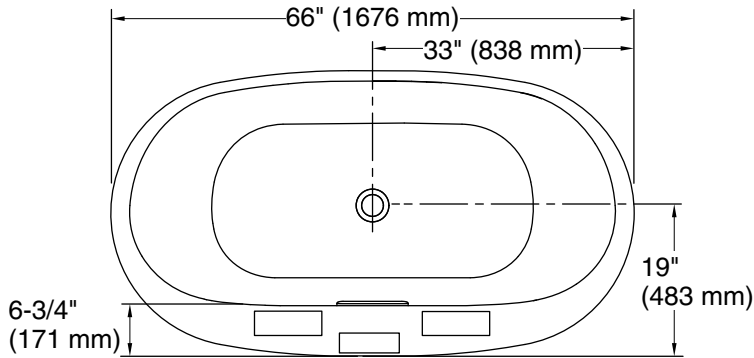
Color tiles intended for reference only.

Color Code Description

Color	Code	Description
	0	White
	96	Biscuit
	95	Ice™ Grey
	7	Black Black™

No change in measurements if connected with drain illustrated. (K-7272)

□ Recommended Faucet Location



Required Electrical Service

One circuit required, protected with Class A Ground-Fault Circuit-Interrupter (GFCI). Outside North America, this device may be known as a Residual Current Device (RCD).

Heated Surface: 120 V, 15 A, 60 Hz

Technical Information

All product dimensions are nominal.

Drain location: Center
 Basin area, bottom: 47" x 26-1/4" (1193 mm x 666 mm)
 Basin area, top: 61-3/16" x 28-3/8" (1554 mm x 721 mm)
 Weight: 96 lbs (43.5 kg)
 Minimum floor load: 52.1 lbs/ft² (254.4 kg/m²)
 Water depth: 17-9/16" (446 mm)
 Water capacity: 85.5 gal (323.7 L)
 Template: Drop-in, 1268439-7, required, included
 Electrical component rating: Heated Surface: 120 V, 0.5 A, 60 Hz, 65 W

Notes

Measure your actual product for rough-in details.

Install this product according to the installation instructions.

The hot water supply should be 70% of the capacity of the bath or greater. Installations will vary.

If installing a rim-mount faucet, make sure there is no interference above or below the deck before drilling any holes.