








Thank you for purchasing this quality product. Be sure to unpack carefully looking for small parts which may have come loose during shipment.

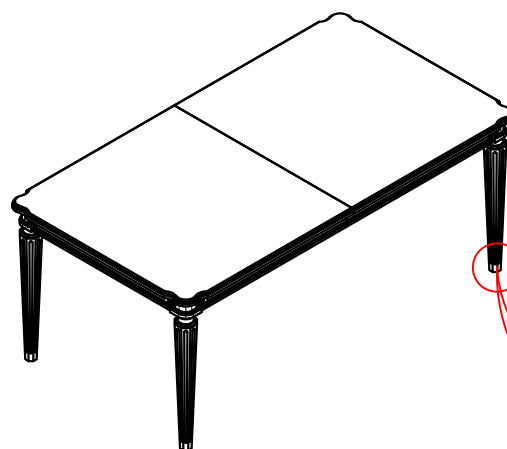
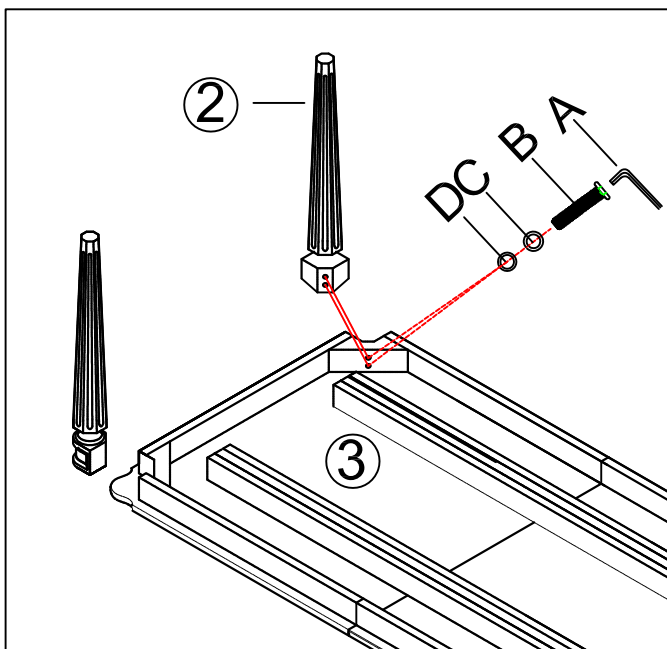
Read all instruction and study the drawing carefully before starting the assembly process.

HARDWARE PACK

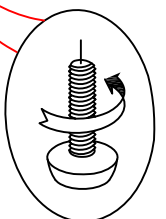
PART LIST

NO.	DRAWING	DESCRIPTION	SIZE	Q'TY	NO.	DRAWING	DESCRIPTION	Q'TY
A		Allen Wrench	5mm	1PC	①		Leaf	1PC
B		Bolt	5/16"	8PCS	②		Leg	4PCS
C		Lock Washer	5/16"	8PCS	③		Top	1PC
D		Flat Washer	5/16"	8PCS				

STEP 1



Adjust Leveler if needed to level table on uneven floor.



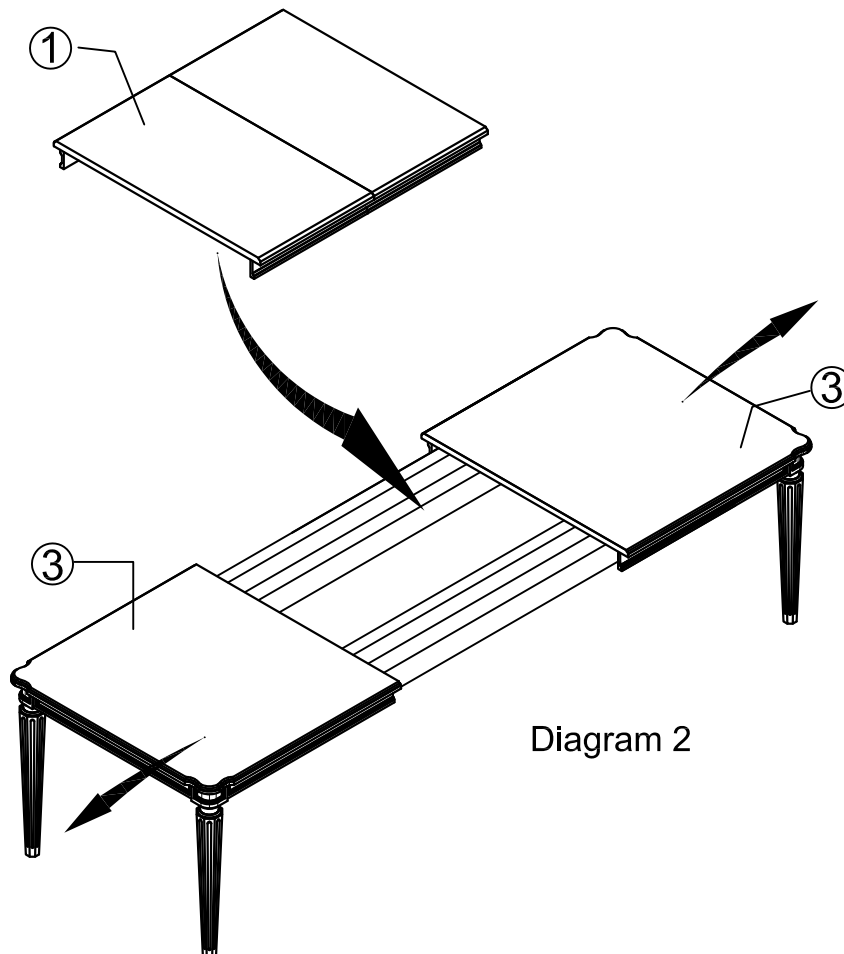
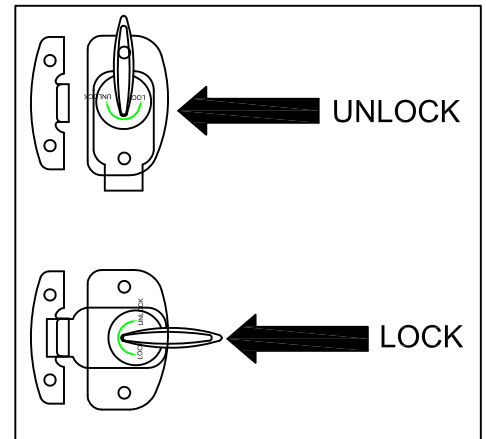
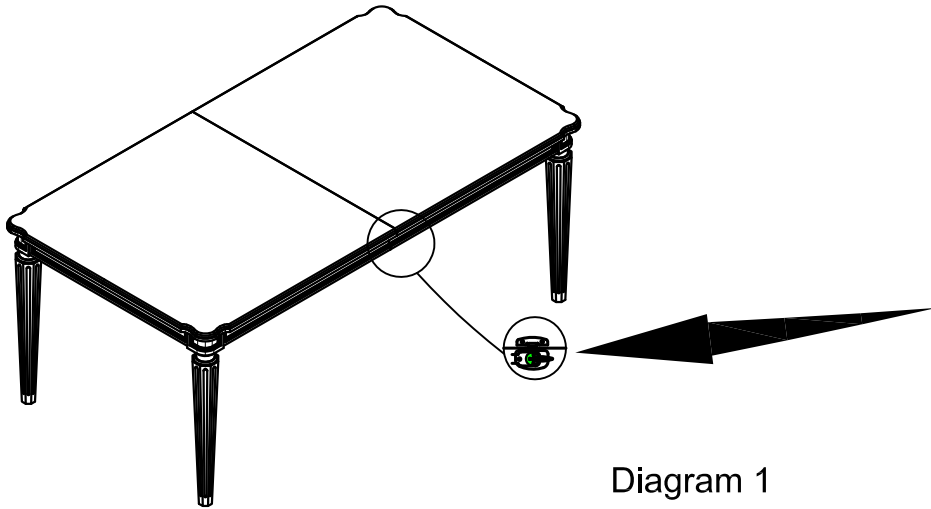
STEP 2

# ASSEMBLY INSTRUCTION

ITEM: 6750-75200-00 Rectangle Leg Dining Table w-2-22in leaves

Thank you for purchasing this quality product. Be sure to unpack carefully looking for small parts which may have come loose during shipment.

Read all instruction and study the drawing carefully before starting the assembly process.



Thank you for purchasing this quality product. Be sure to unpack carefully looking for small parts which may have come loose during shipment.

Read all instruction and study the drawing carefully before starting the assembly process.

## **Instruction for table leaves:**

1. There are latches at the bottom of table top, unlock the latches as shown in Diagram 1 above.
2. Pull out table top as the arrow direction shown in Diagram 2.
3. Place table leaves (1) between table tops and push table tops together.
4. Lock the latches. (See Diagram 1)
5. Take opposite actions to remove table leaves.