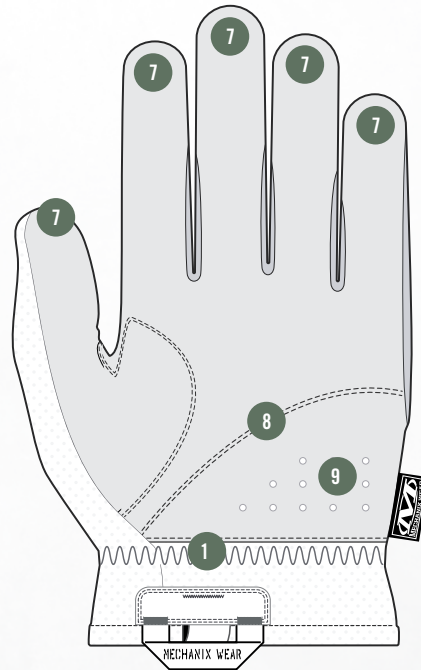
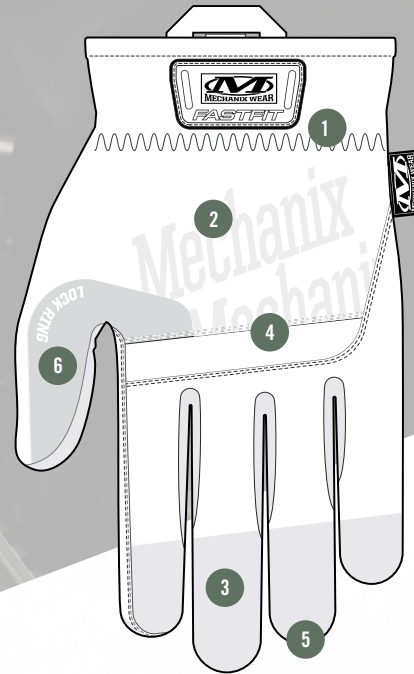




COVERT FASTFIT[®]

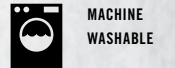


TACTICAL HAND PROTECTION

The next generation of FastFit[®] gloves is engineered for precision and performance in the field. High-dexterity 0.6mm synthetic leather provides unmatched control, while full touchscreen capability keeps you connected. The easy-on, full-wrap cuff ensures a secure fit, and CoolPlus[®] woven-mesh panels reduce heat buildup to keep your hands cool under pressure. Abrasion-resistant Ripstop material and a rugged neoprene knuckle panel deliver durability and protection, while vented palm padding absorbs light impacts. With single-seam wrapped fingertips for superior dexterity and rugged carrier loops for storage, the FastFit[®] is mission-ready.

FEATURES

- 1 Full-wrapping easy on/off cuff design.
- 2 CoolPlus[®] woven-mesh back of hand reduces heat buildup while working.
- 3 Abrasion resistant Ripstop material across the back of the fingers providing a water-repellent treated barrier and a comfortable fit.
- 4 Light and breathable neoprene knuckle panel cushions from abrasions while improving flexibility.
- 5 Single-seam wrapped fingertip design removes vulnerable wear points and improves fit and dexterity.
- 6 Lock Ring[™] printed thumb saddle design wraps high wear areas for increased durability.
- 7 Touchscreen capable 0.6mm synthetic leather palm.
- 8 2-Piece palm design reduces material bunching in the palm.
- 9 Vented palm heel padding protects from light strikes and vibrations while increasing breathability.



MACHINE
WASHABLE



TOUCHSCREEN
TECHNOLOGY

INTENDED USES

- Military
- Law Enforcement
- Shooting Sports
- Maintenance & Repair

CERTIFICATIONS



SIZE	S-008	M-009	L-010	XL-011	XXL-012
COLOR	FFTAB-55 COVERT FFTAB-77 WOODLAND	FFTAB-72 COYOTE FFTAB-78 MULTICAM	FFTAB-66 OD GREEN FFTAB-88 WOLF GREY		

Product is Imported

USA
(800) 222-4296

Spain
+34 93 628 22 00

Canada
(877) 278-5822

Australia
1 300-731 336

Japan
03 4590 0066

MECHANIX WEAR LLC
www.mechanix.com

COVERT FASTFIT[®]