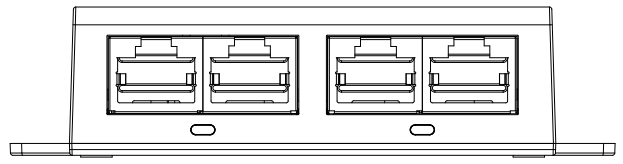
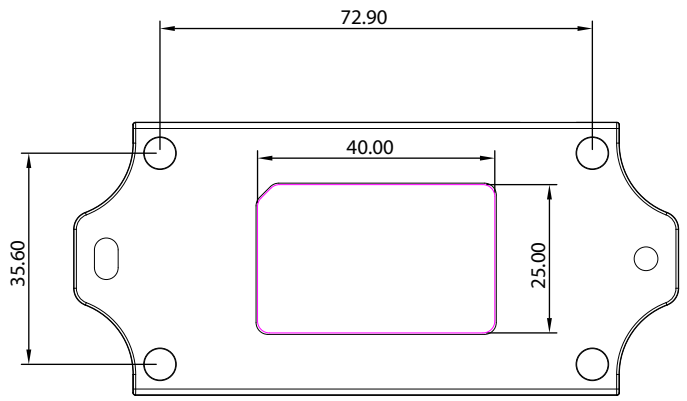
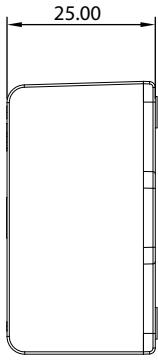
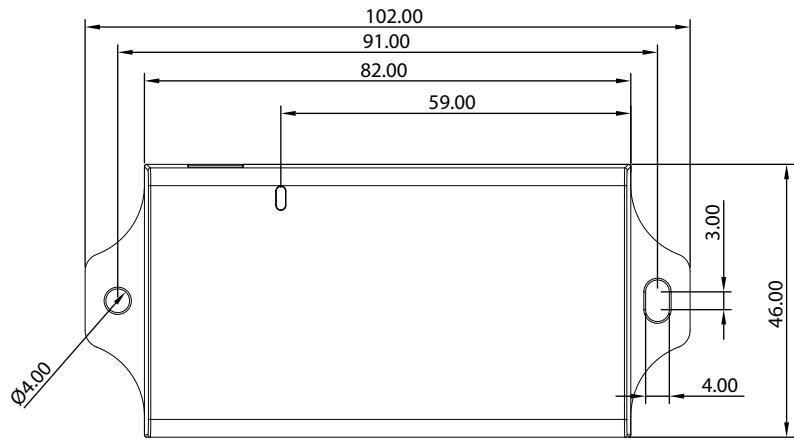
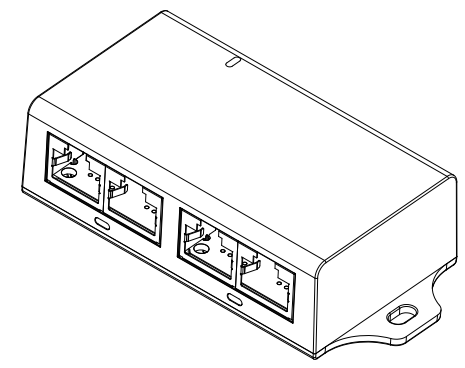
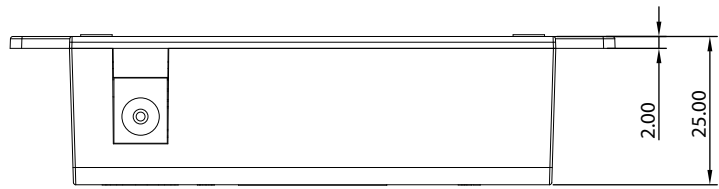
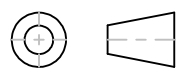


8 7 6 5 4 3 2 1

F
E
D
C
B
A



THIRD ANGLE PROJECTION



GENERAL NOTES

DIMENSIONS ARE IN MM - DO NOT SCALE

THIS DOCUMENT CONTAINS CONFIDENTIAL, PROPRIETARY INFORMATION THAT IS PROPERTY OF STARTECH.COM



PRODUCT ID	AF221C-POE-INJECTOR	
DESCRIPTION	2-Port Gigabit Midspan PoE+ Injector, 10/100/1000Mbps, PoE+ (802.3af/at), 30W 1Gbps Ethernet, Wall Mountable, Unmanaged Inline Power Over Ethernet	
DO NOT SCALE	SHEET: 1 OF: 1	UPLOAD DATE: 2/11/2026

8 7 6 5 4 3 2 1