

FIG. 4

Continued from front

(Grille painting hint: Use a paint roller that is nearly out of paint to first paint the inside of the grille, then the outside. This will avoid paint filling the grille perforations.)

5. Attach the wire to the input terminals on the rear of the speaker. Remember to maintain proper polarity with the amplifier by attaching the positive (+) lead to the red terminal and the negative (-) lead to the black terminal.

6. See Fig. 6. With the speaker wire attached to the speaker, slide the speaker up inside the cut-out hole. Center the speaker in the cut-out hole and turn the four locking screws clockwise until the speaker is drawn up snugly to the wall board from behind, clamping the speaker in place. Try to tighten each screw equally. Replace the speaker grille by gently placing it over the speaker until the magnets "grab" hold of the grille.

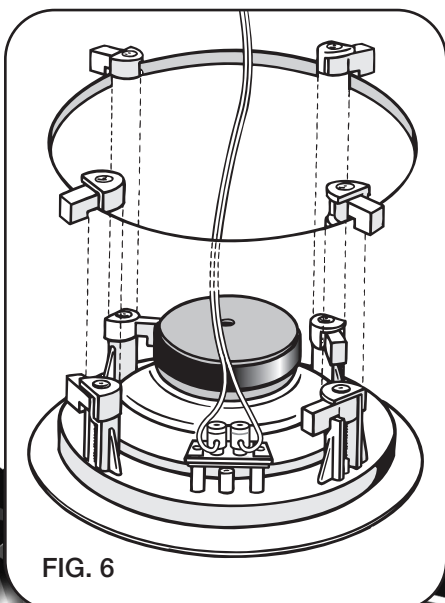


FIG. 6

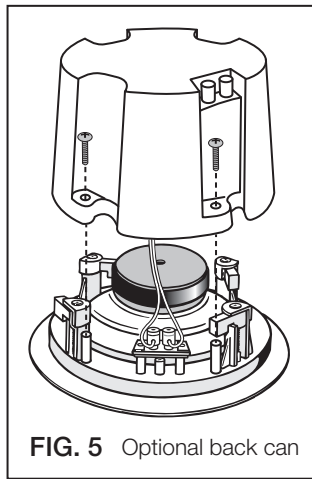


FIG. 5 Optional back can

New Construction

1. Determine speaker locations and mark them on your plans for future reference.
2. If possible, run speaker wires after HVAC and electrical wiring is in place.
3. Secure speaker wires in place along the run with insulated staples only and be careful not to pierce the wire's insulation. Allow a bit of slack for expansion of building materials.
4. Needless to say, the actual speakers should not be installed until the wall board is in place. In the meantime, leave several feet of wire coiled up and secured at the back side of the mounting hole.
5. To complete the installation follow steps 2 through 5 above.

Operational Check

After making all connections it's a good idea to make sure everything is working properly. Turn on your surround or stereo system making sure the volume control is turned down and that the balance control is in the center position. Activate a music or movie source. Gently turn up the volume, you should hear sound coming from your new speakers. If no sound is heard from any or all speakers, switch off the system immediately and check for open or loose connections, wrong polarity or shorts, or improper source selection.

Warranty

All Elura products come with a limited liability warranty. This warranty includes parts and labor repairs on all components found to be defective in material or workmanship under normal conditions of use. This warranty shall not apply to products which have been abused, modified or disassembled.

A speaker that fails under conditions other than those covered will be repaired at the current price of parts and labor in effect at the time of repair. Such repairs are warranted for 90 days from the day of reshipment to the BUYER. If the unit is delivered by mail, customers agree to insure the unit or assume the risk of loss or damage in transit.

Under no circumstances will a unit be accepted without a return authorization number. The warranty is in lieu of all other warranties expressed or implied, including without limitations, any other implied warranty or fitness or merchantability for any particular purpose, all of which are expressly disclaimed. Proof of sale may be required in order to claim warranty.

Specifications

- Max. Power Handling: 5 - 70 Watts
- Sensitivity: 91dB @ 1 watt/1 meter
- Freq. Response: 55 Hz-20,000 Hz
- Driver Complement: 6 1/2" (165mm) compression molded mineral filled polymer cone woofer with rubber surround
1/2" (13mm) zero-diffraction, pivoting, liquid-cooled PEI dome tweeter
- Nominal Impedance: 8 ohms
- Overall Dimensions: 9.25" (diameter) round x 4.23" D (235mm x 107mm)
- Required Ceiling Cut-out: 8.25" (diameter) round (210mm)

www.elura.audio

MSTR