

# Condensate Trap

## REPLACEMENT INSTRUCTIONS

Kit Name	Condensate Trap Replacement Kit
Kit Part Number	803000070
Compatible Rinnai Products	Rinnai Commercial Boiler Models: RCB301AN, RCB399AN, and RCB500AN

**WARNING** Failure to correctly assemble the components according to these instructions may result in electric shock, injury, or death.

### CAUTION

To protect yourself from harm, follow the steps below before proceeding.

- Disconnect the electrical power supply by turning off circuit breaker.
- Shut off the gas at the gas valve, usually located near the gas connection at the appliance.
- Turn off the water by closing manual ball valves at the return and supply piping connections at the appliance.

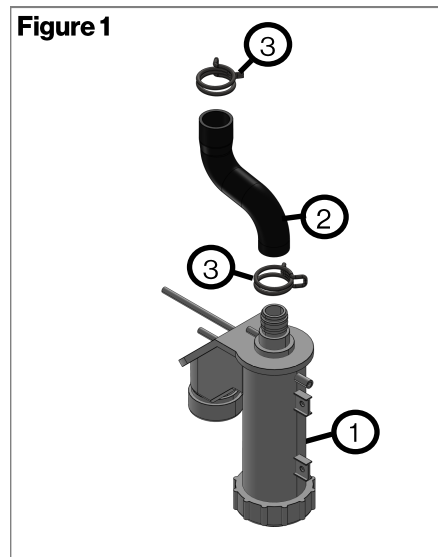
## Items Inside Product Box

Before installation, please make sure all parts are located inside the product box.

Table 1

Item #	Item (Part Number)	Qty
1	Condensate Trap (807000232)	1
2	Condensate Trap Inlet Hose (807000233)	1
3	Condensate Hose Clip (809000226)	2

Figure 1



### TOOLS/MATERIALS REQUIRED

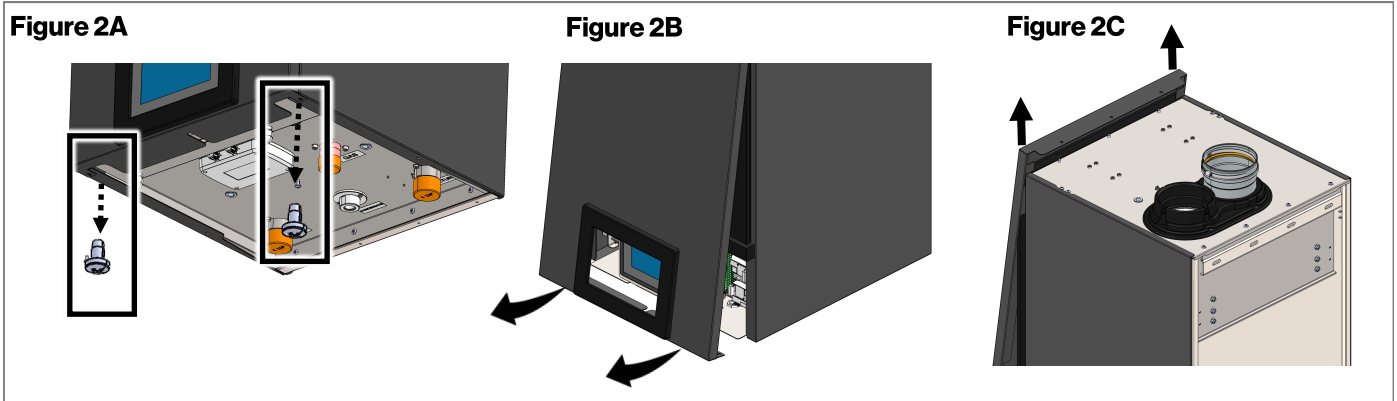
- Phillips head screwdriver
- Tongue and Groove Plier

## Instructions:

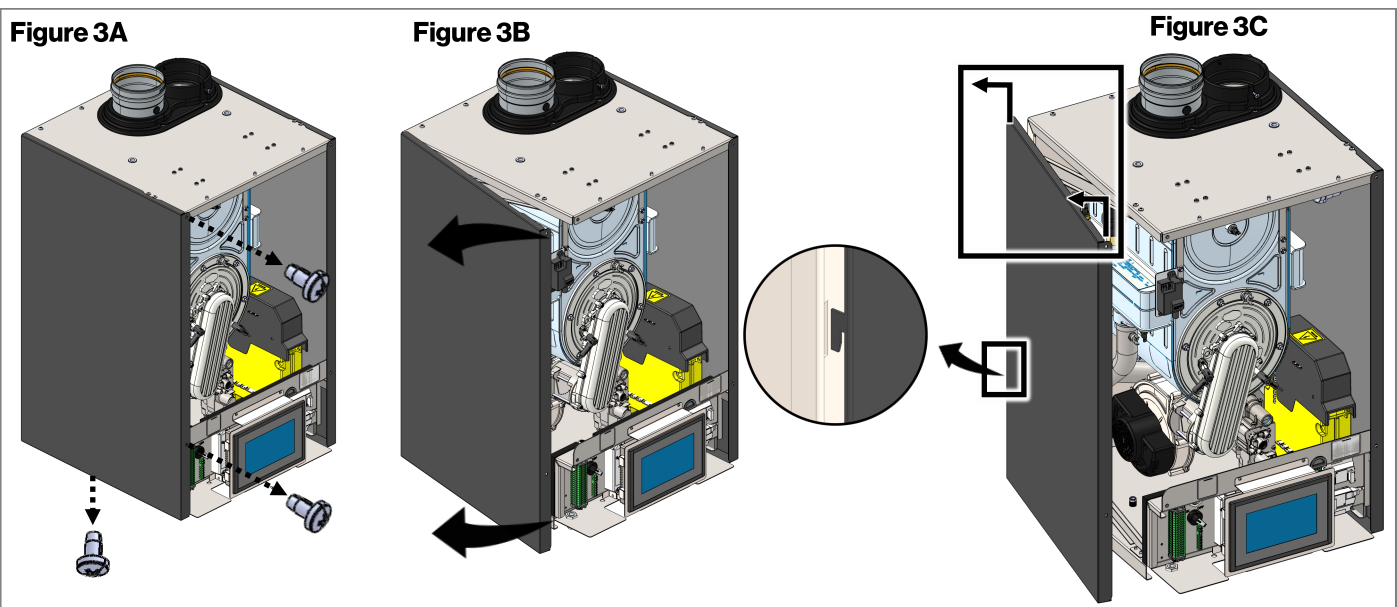
1. Turn off and disconnect 120 V power supply.
2. Turn off water supply.
3. Turn off gas supply.

**CAUTION** Confirm gas valve is turned off and not leaking. Use gas valve switch to prevent gas valve from being turned on (RCB301AN and RCB399AN models).

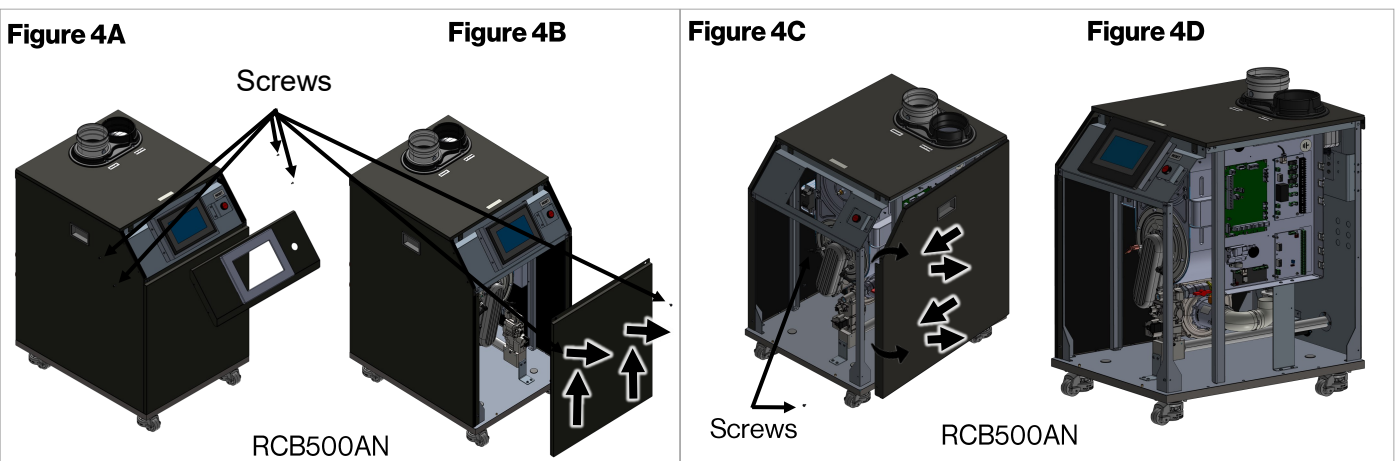
- RCB301AN/RCB399AN:** Use a Phillips head screw driver to remove two screws located on the bottom of the appliance securing the front panel (Figure 2A). Pull out the bottom of the front panel to clear the display assembly (Figure 2B), then lift the front panel up to clear the pins located on top of the appliance (Figure 2C).



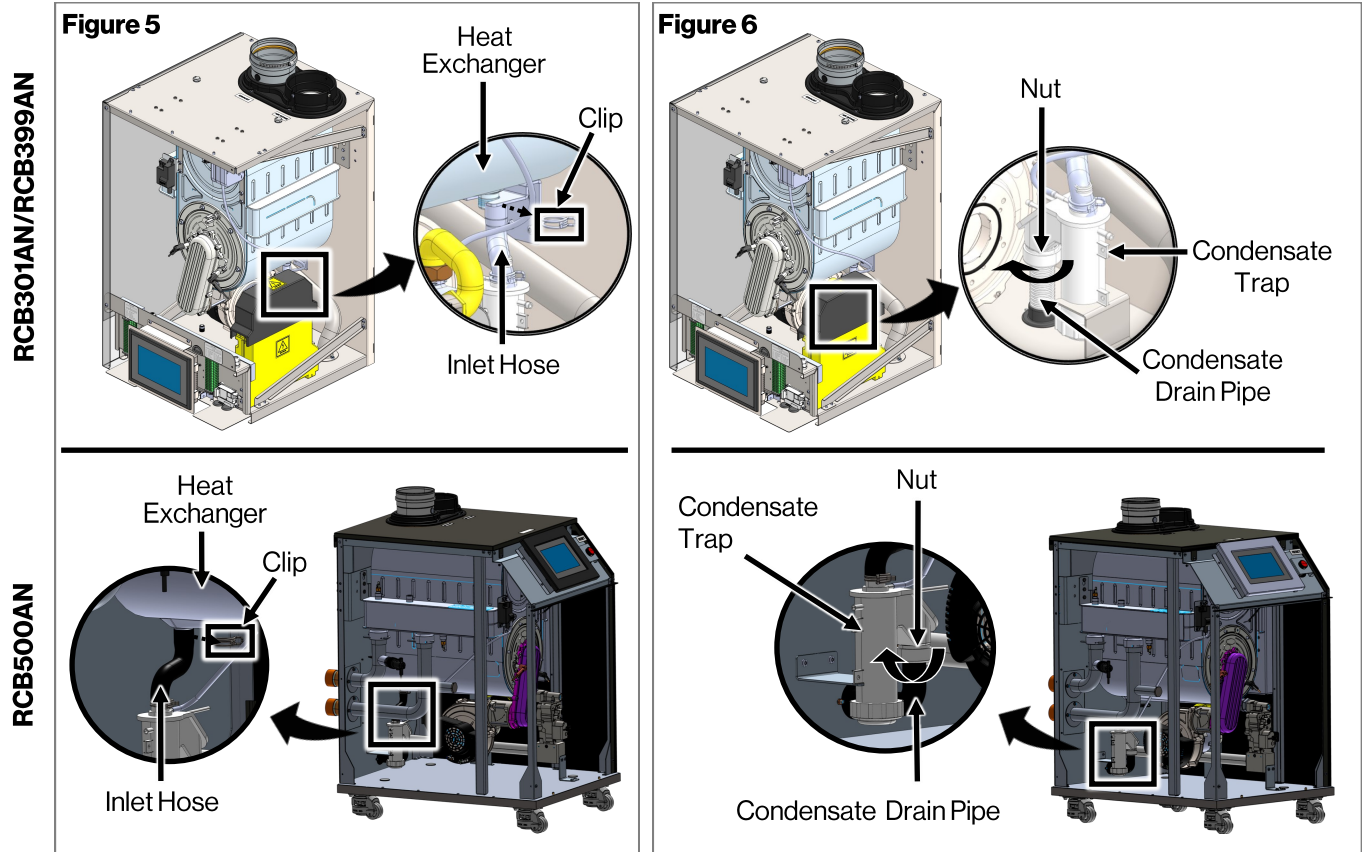
- RCB301AN/RCB399AN:** Use a Phillips head screw driver to remove three (3) screws holding left side panel (Figure 3A). Rotate the side panel out (Figure 3B), lift the panel up to clear the cutout located on back side of boiler, and remove the side panel (Figure 3C).



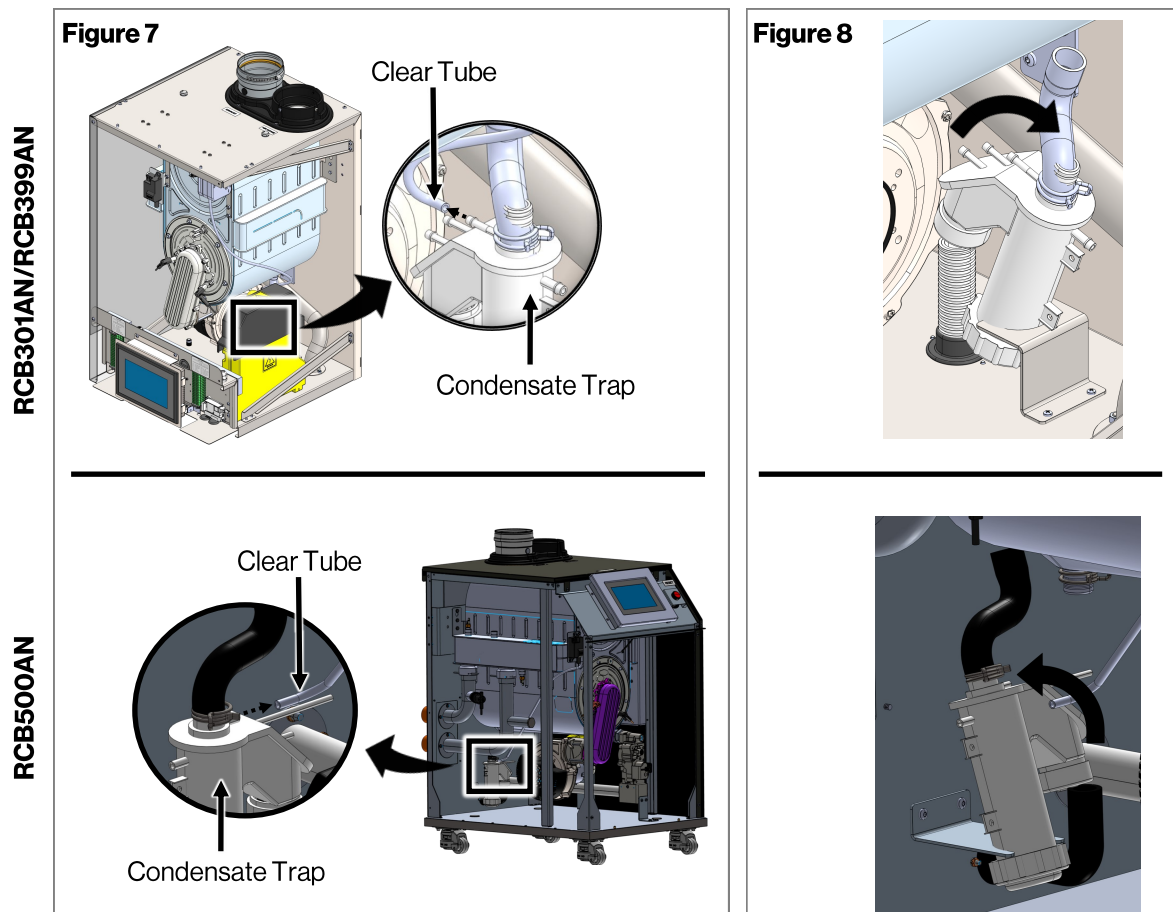
- RCB500AN:** Use a Phillips head screwdriver to remove four (4) screws securing the angle panel around the display assembly (Figure 4A). Place the screws and panel in a safe location until they are needed for re-assembly.
- RCB500AN:** Use a Phillips head screwdriver to remove two (2) screws securing the front panel (Figure 4B). Slide the panel up to clear the pins on the bottom, then pull it out to remove it from the boiler. Place the screws and panel in a safe location until they are needed for re-assembly.
- RCB500AN:** Remove two (2) screws for right side panel from the front side of the boiler, then rotate the side panel out to clear the bottom part of the side panel (Figure 4C).
- RCB500AN:** Pull the panel forward to clear the locking mechanism on the back side then pull the panel out (Figure 4D). Place the screws and panel in a safe location until they are needed for re-assembly.



10. Remove clip securing condensate trap inlet hose to heat exchanger (Figure 5).
11. Loosen nut on condensate trap securing condensate drain pipe (Figure 6).

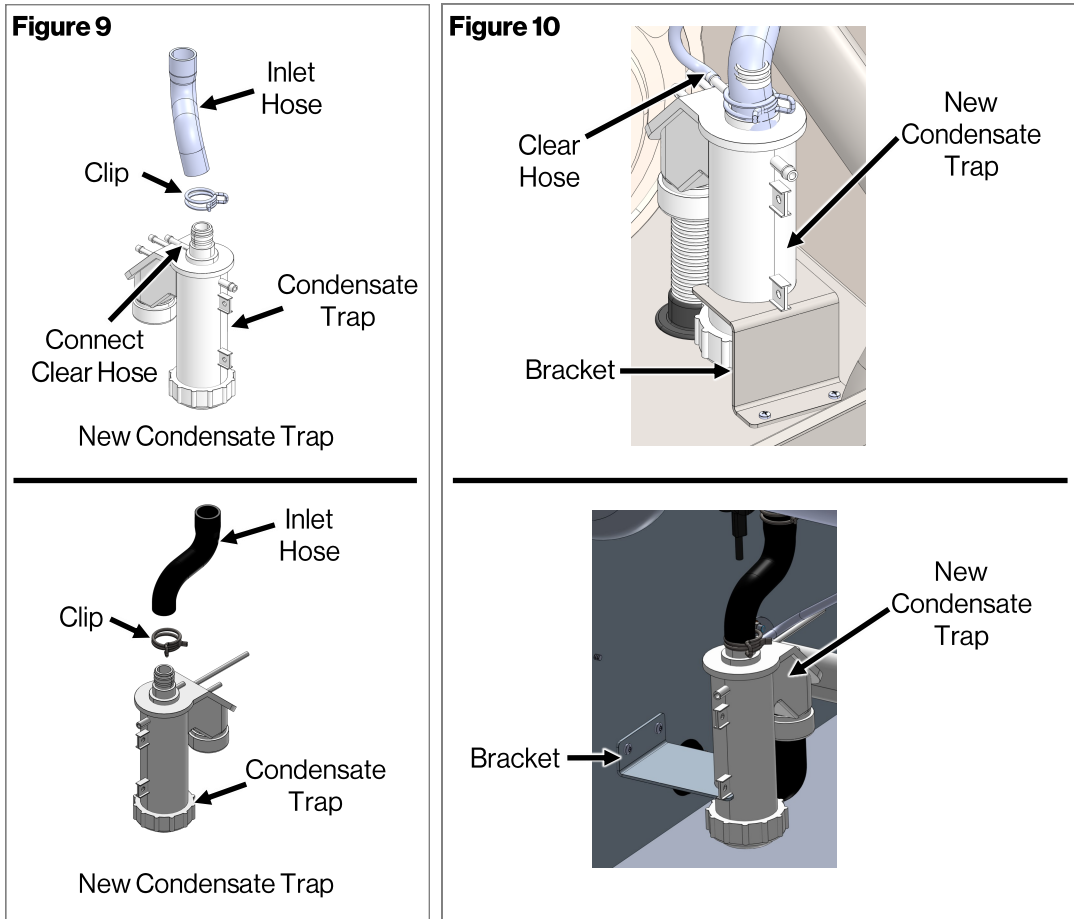


12. Pull condensate trap out enough to access barb fitting for air pressure switch hose. Disconnect clear hose from condensate trap by releasing clip (Figure 7).
13. Before installing new condensate trap, verify new inlet hose is secured with clip to top of condensate trap (Figure 8).



# Condensate Trap Reassembly

1. Reconnect the clear hose to the new condensate trap and install the new condensate trap back in the unit (Figure 9). Ensure that the clear hose is connected to the correct fitting on the condensate trap as shown below (Figure 9). Ensure the condensate trap is secured properly on the bracket (Figure 10).
2. Reconnect the condensate inlet hose to the drain fitting on the heat exchanger. Secure the hose using the clip.



3. Reconnect the condensate inlet hose to the drain fitting on the heat exchanger. Secure the hose using the clip.
4. Reconnect drain pipe to the condensate trap nut (Figure 6).
5. Restore water and gas supply.
6. Turn on and connect 120 V power supply.
7. Operate the boiler and perform gas leak detection test for gas.
8. **RCB301AN & RCB399AN:** Line up left side panel with slots located on back side of boiler and secure it using three screws (Figure 3A, 3B & 3C).
9. **RCB301AN & RCB399AN:** Line up front panel assembly with pins located on top of the boiler and secure it using two screws on bottom (Figure 2A, 2B & 2C).
10. **RCB500AN:** Reinstall all panels in the reverse order they were disassembled (Figures 4A, 4B, 4C & 4D).