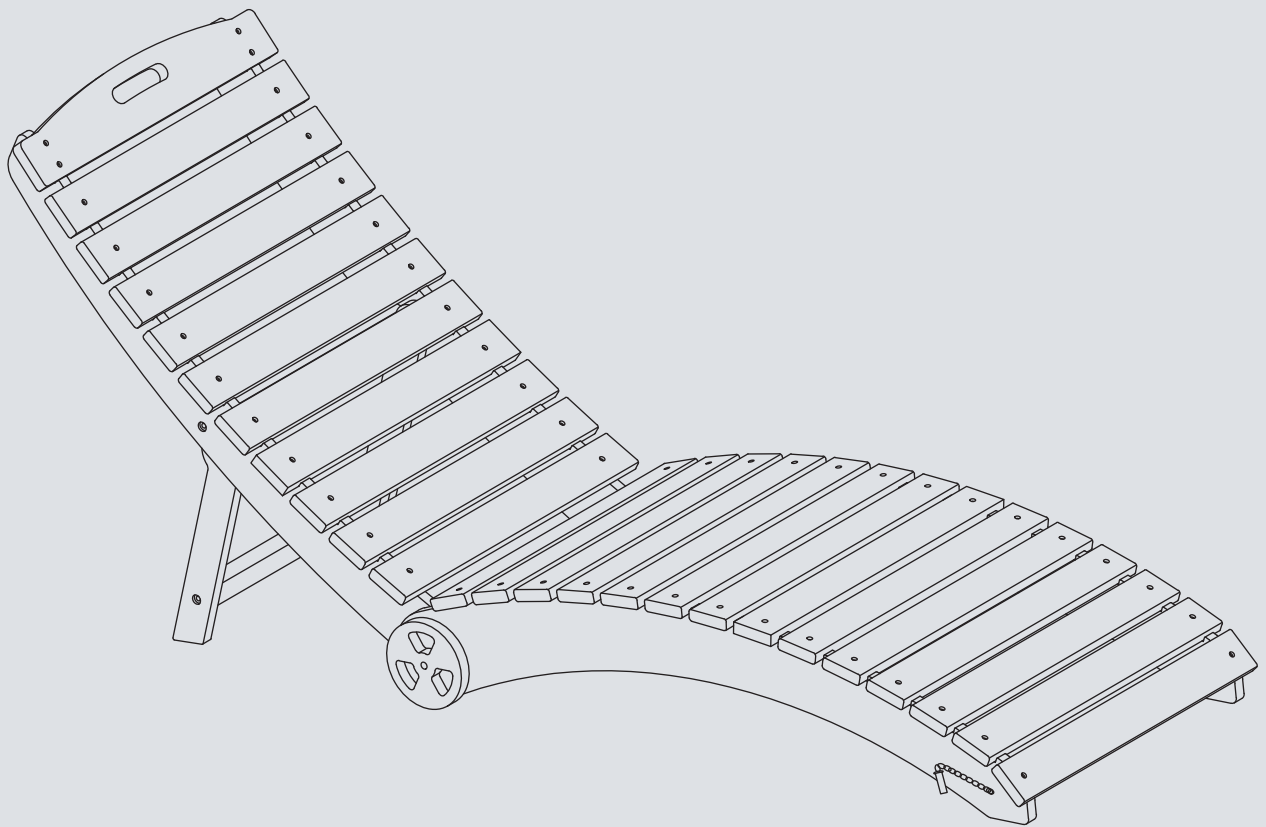


INSTRUCTION MANUAL



Folding Pool Lounge Chair with Wheels

V1.0

! NOTICE

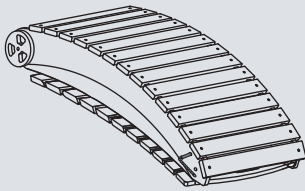
Do not overtighten screws. (Insert all screws before tightening screws.)

- Please do not exceed the weight limitations of this item.
- Do not stand on or use any part of this item as a step ladder.
- Firmly secure all bolts, screws, and nuts before use.
- Reconfirm that all bolts, screws, and nuts are secure every 90 days.
- Do not use or store this item in the proximity of open flame or flammable/combustible chemicals.
- Be aware that some parts are heavy and have sharp edges.
- When folding the chair, use caution to keep your hands clear of pinch points.

PARTS

A

CHAIR BODY



1 PC



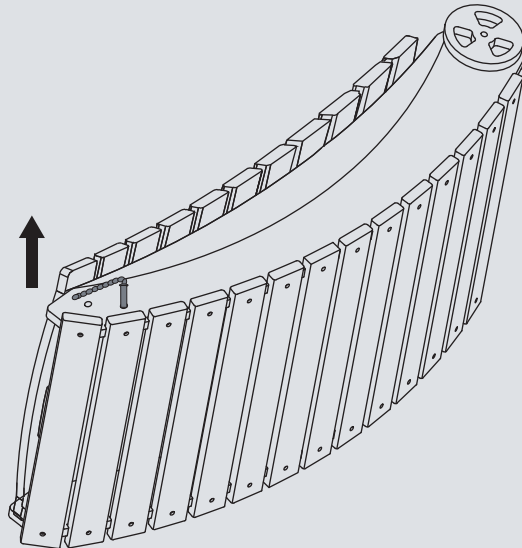
**300 LBS
CAPACITY**

PRODUCT ASSEMBLY

1

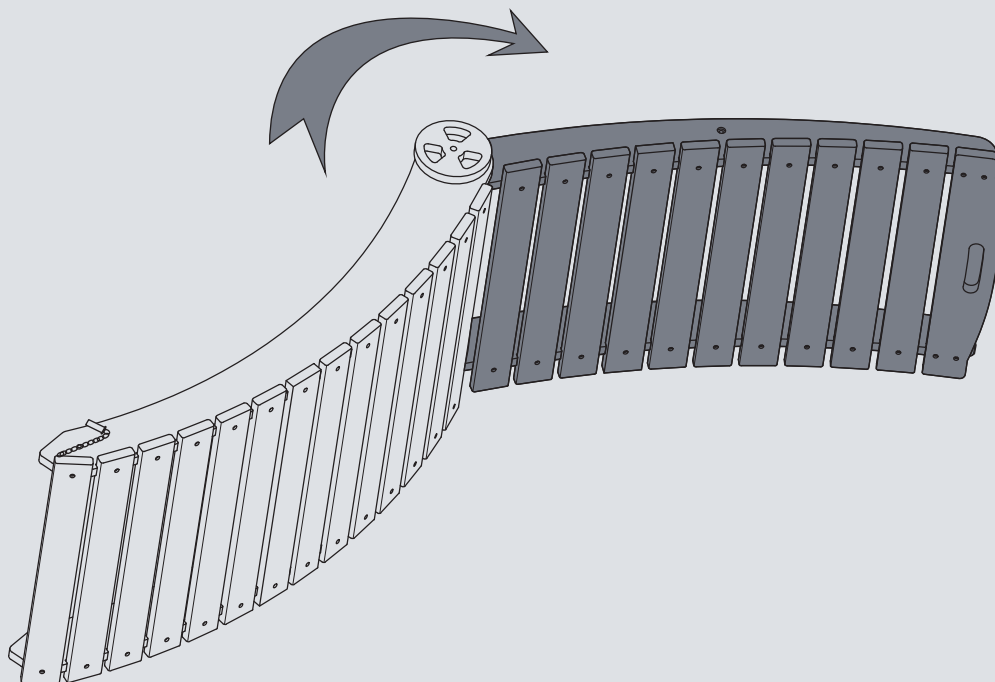
Remove **Part A Chair Body** from the packaging and place it on a flat, stable surface.

Pull out the locking pin to release the folded backrest.



2

Unfold the backrest until the support rails lock into place.

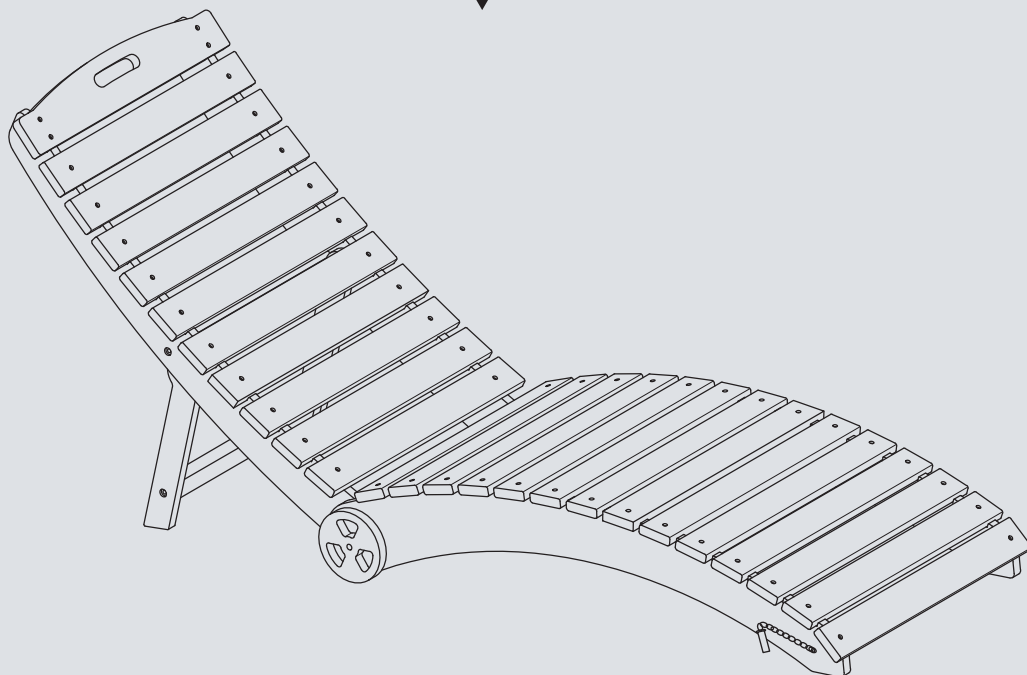
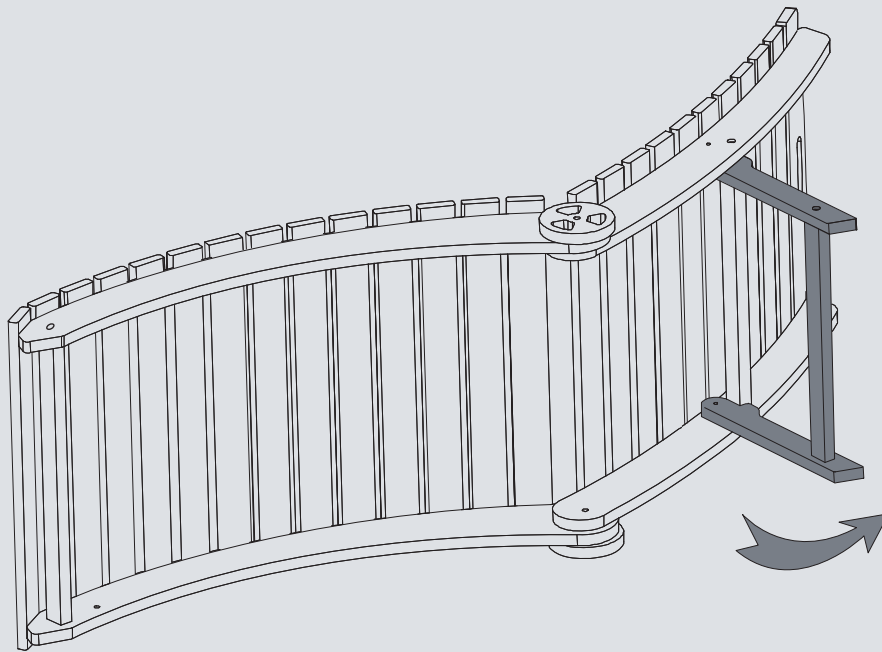


PRODUCT ASSEMBLY

3

Swing the legs outward until they rest against the rail.

Flip the chair upright to complete assembly.



CLEANING TIPS

REGULAR CLEAN: Use a mixture of warm water and mild soap. Gently scrub the surface with a soft bristle brush to remove any dirt or stains.

QUICK CLEAN: You can simply wipe down the furniture with a damp cloth.

Regular cleaning not only preserves the aesthetic appeal of your furniture, but also helps extend its lifespan