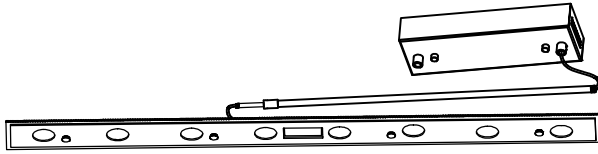


ASSEMBLY INSTRUCTION

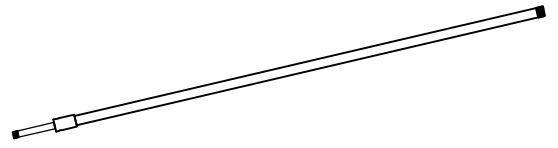
MODERN RODS LED PENDENT LIGHT

A Lamp Body



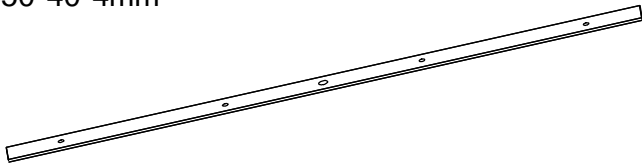
1pc

B Adjustable Tube



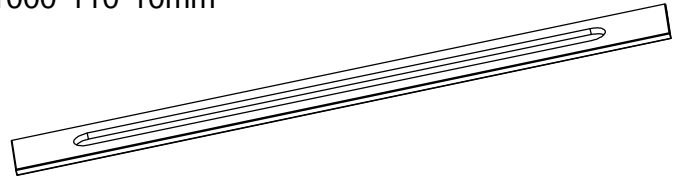
1pc

C Glass Panel
850*40*4mm



1pc

D Glass Panel
1000*110*10mm



1pc

E Lock Washer
Ø8*1mm



F Lock Washer
Ø10*1mm



G Nail Head
Ø10*9mm



H Bolt
Ø15*10mm



I Accessory
Ø10*10mm



J Nut
Ø1/8"*40T*3mm



K Allen Key



L Bolt
Ø5/32"*25mm



M Wire Connector
Ø8.6*15.2mm



N Wire Connector
Ø9.9*17.7mm



O Flat Washer
Ø5/32"*12mm



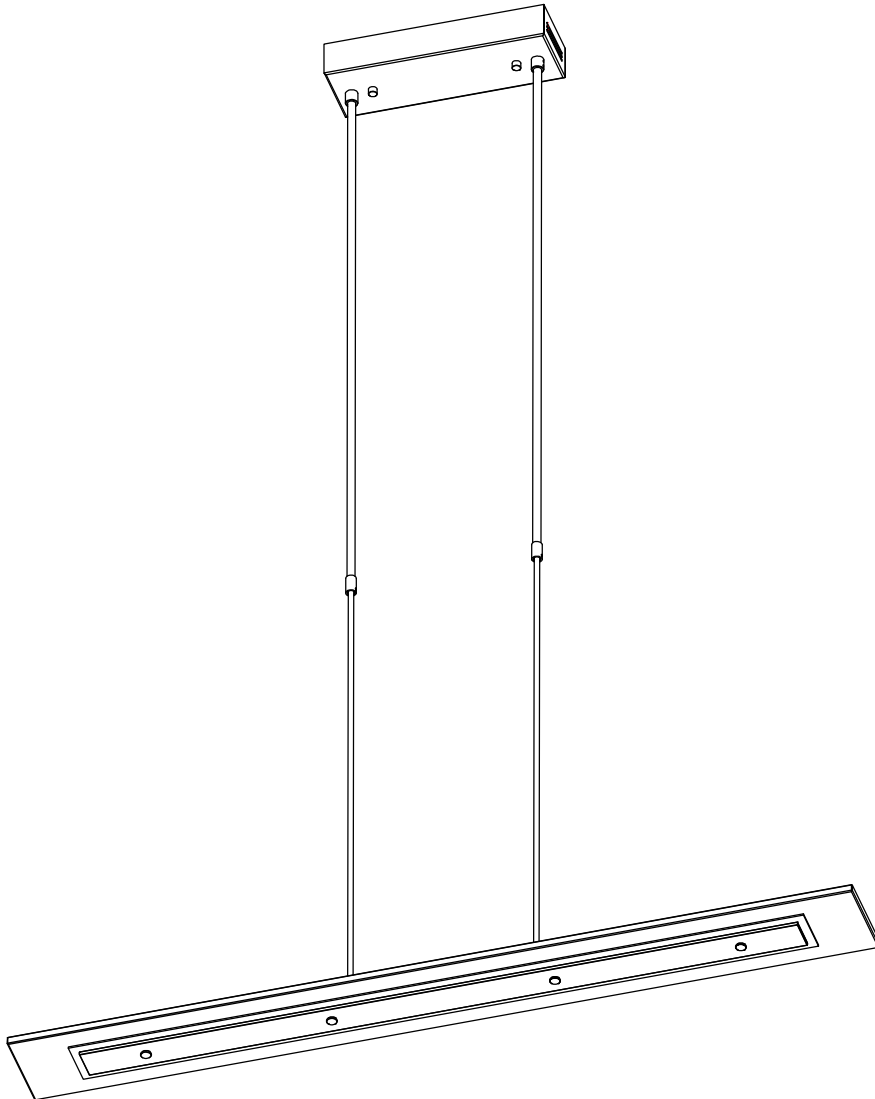
1pc

2pcs

2pcs

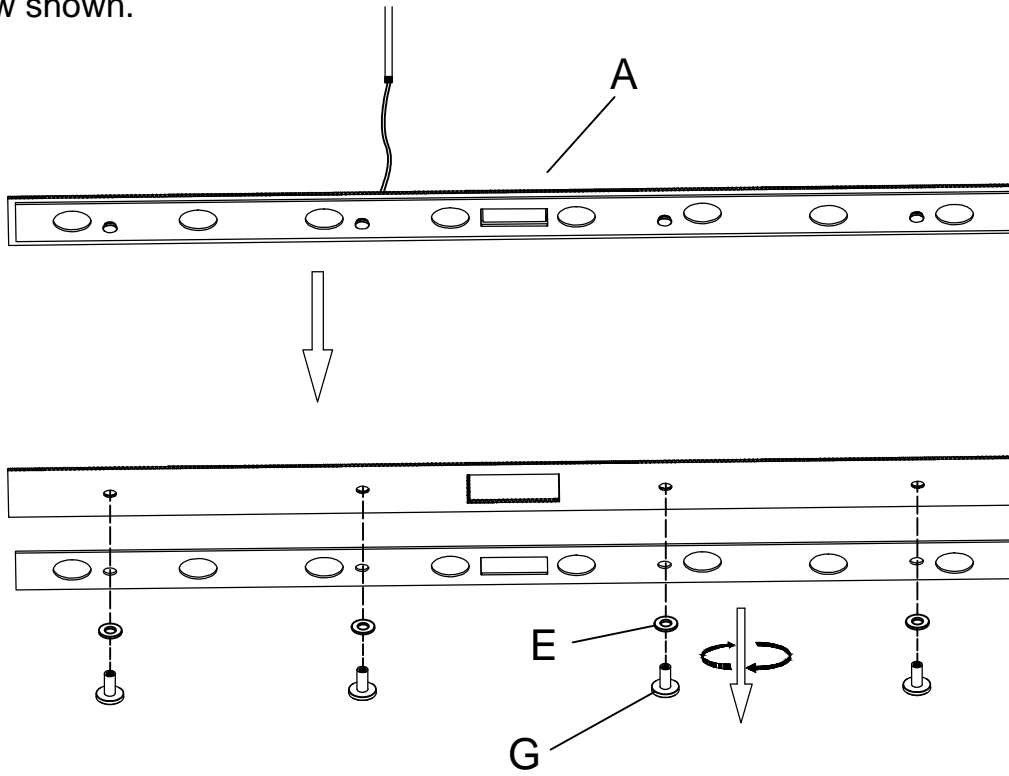
IMPORTANT SAFETY INSTRUCTIONS

THIS PENDANT LAMP HAS A POLARIZED PLUG (ONE BLADE IS WIDER THAN THE OTHER) AS A SAFETY FEATURE TO REDUCE THE RISK OF ELECTRIC SHOCK. THIS PLUG WILL FIT IN A POLARIZED OUTLET ONLY ONE WAY. IF THE PLUG DOES NOT FIT FULLY IN THE OUTLET, REVERSE THE PLUG. IF IT STILL DOES NOT FIT, CONTACT A QUALIFIED ELECTRICIAN. NEVER USE WITH AN EXTENSION CORD UNLESS PLUG CAN BE FULLY INSERTED. DO NOT ALTER THE PLUG.

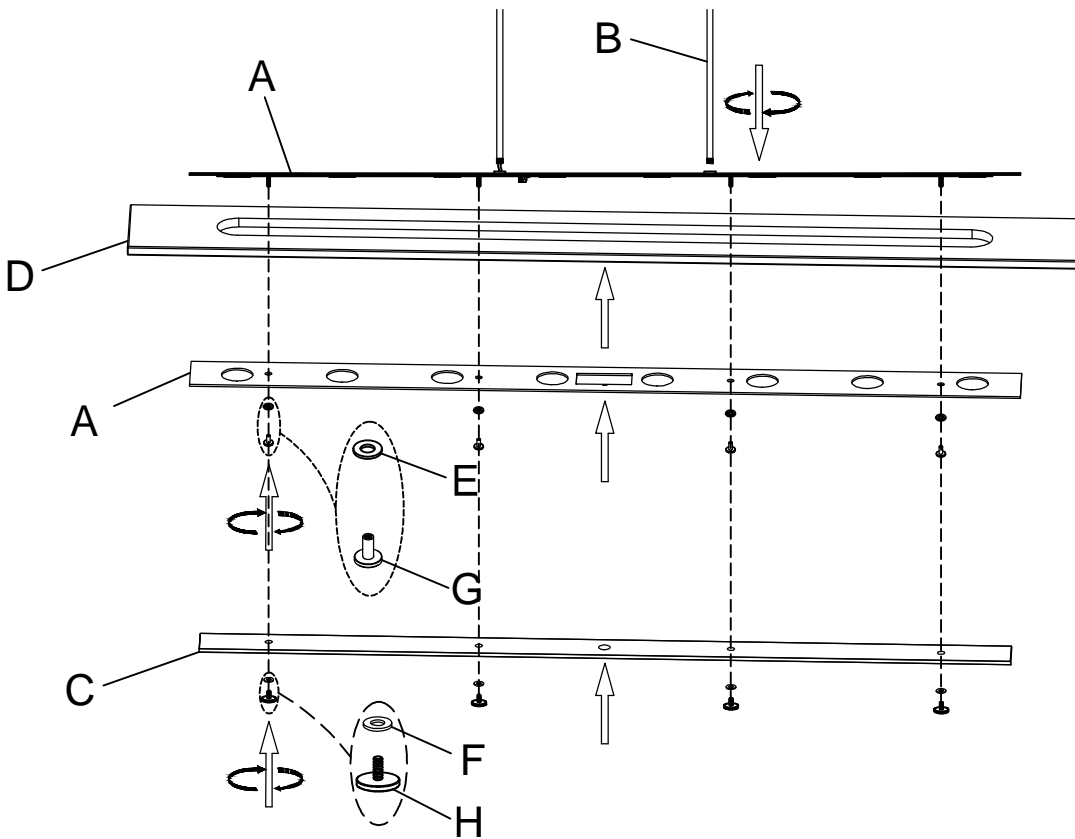


This page lists all the contents included in the box. Please take the time to identify the hardware as well as the individual components to this product. As you unpack and prepare for assembly, place the contents on a carpeted or padded area to protect them from damage.

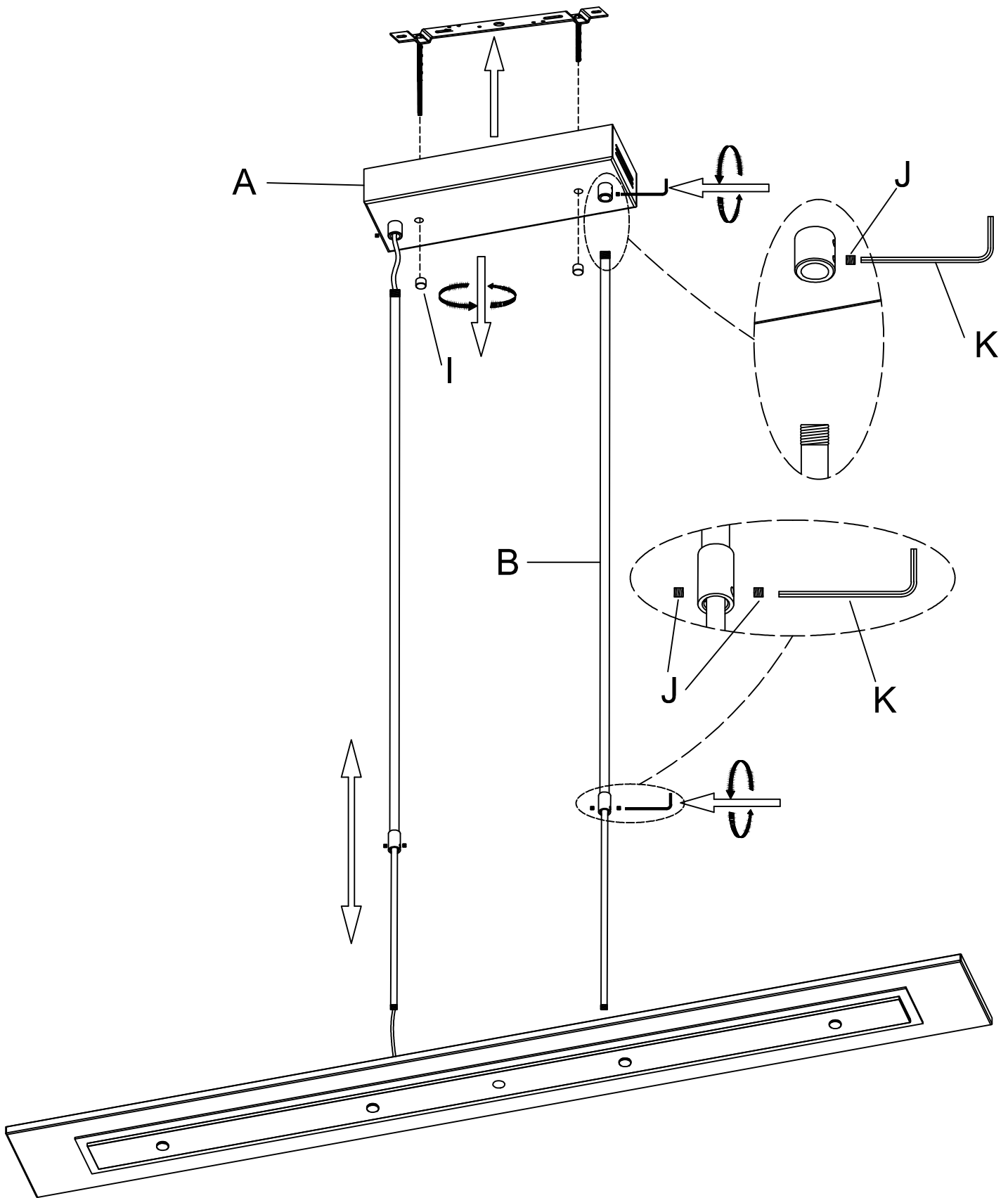
- 1** Take off the Nail Head (G) and Lock Washer (E) from Lamp Body (A), split the Lamp Body (A) as below shown.



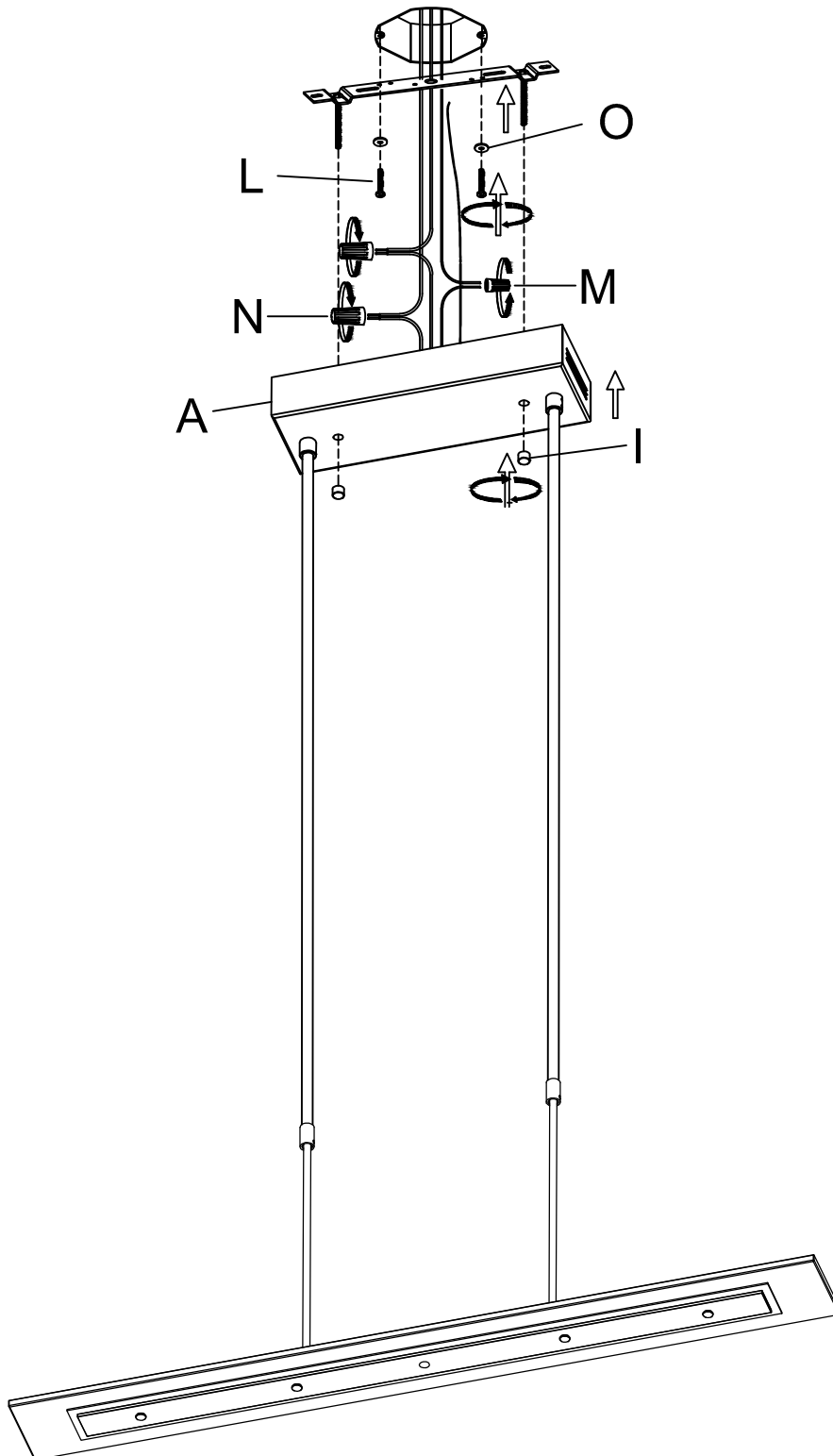
- 2** Assemble the Glass Panel (D) on the metal part of Lamp Body (A). After that, use Lock Washer (E) and Nail Head (G) to tight it. Lastly, assemble the Glass Panel (C) together with middle panel of Lamp Body (A) using Lock Washer (F) and Bolt (H) by screwdriver.



3 Take off Accessory (I) from the ceiling base of Lamp Body (A). Assemble the Adjustable Tube (B) to Lamp Body (A) and adjust the height as you want, then using Nut (J) to tighten by Allen Key (K).



- 4** Firstly, connect the Wire Connection (N) & Wire Connection (M) together with wire and then fix the bracket on the ceiling with Bolt (L) and Flat Washer (O) by screwdriver. Secondly, put the ceiling base of Lamp Body (A) back to cover the bracket and using Accessory (I) to fix them.



Cleaning & Care

Treat surface with care. Surface is resistant to scratches but is not scratch resistant. Clean surfaces with a dry or damp soft cloth. Do not use abrasive cleaners. Hardware may loosen over time. Periodically check that all connections are tight.