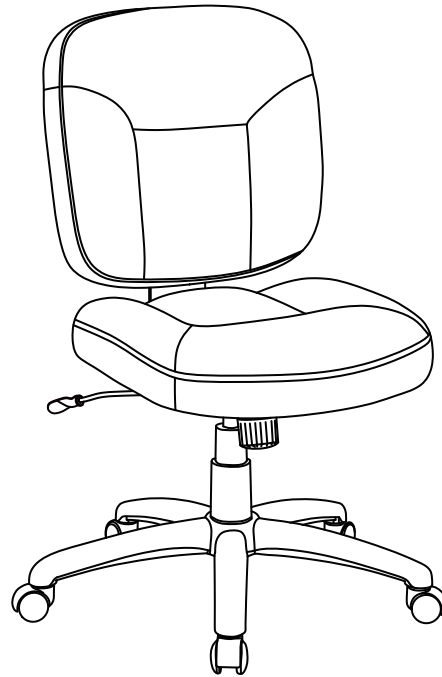
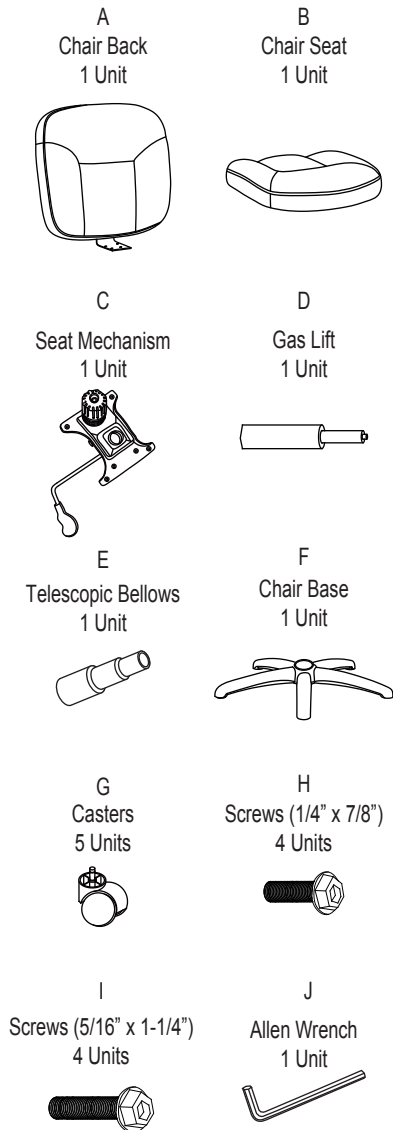


# Model ESS-101-BLK Armless Task Chair (Black)

## Parts Listing



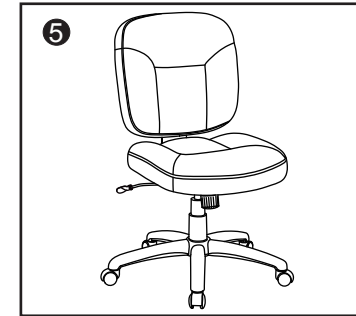
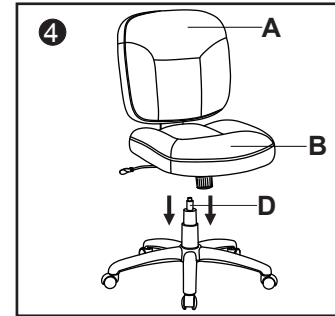
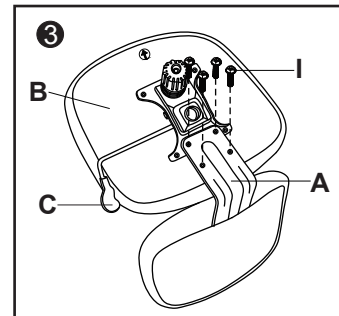
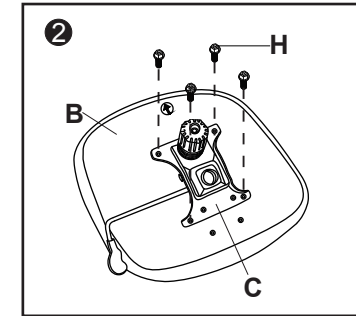
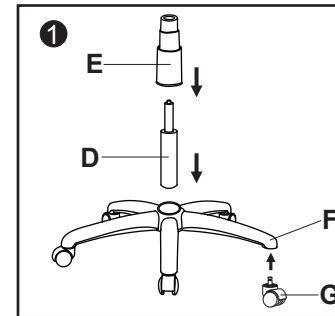
## Assembly Instructions



**Tools Needed: Allen Wrench - Supplied**

**Please read all instructions before assembly.**

- Step 1:** Insert Casters (G) into Chair Base (F). Insert Gas Lift (D) into Chair Base (F). Cover Gas Lift (D) with Telescopic Bellows (E).
- Step 2:** Attach Seat Mechanism (C) to bottom of Chair Seat (B) using Screws (H). Tighten with Allen Wrench (J).
- Step 3:** Attach Chair Back (A) to Chair Seat (B) using Screws (I). Tighten with Allen Wrench (J).
- Step 4:** Take entire chair frame and place the hole in the center of the Seat Mechanism (C) onto Gas Lift (D). Press down firmly on Chair Seat (B) to secure.
- Step 5:** Now your chair is fully assembled.



**WEIGHT CAPACITY: 250 lbs.**

### Assembly Notes:

During assembly, hand tighten screws only. When all screws are in place, you may then tighten all screws completely.

### CAUTION:

1. Do not use this chair as a step ladder.
2. Check for loose screws and tighten them every 6 months.

**Essentials**