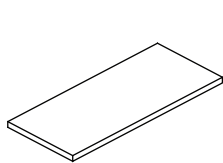


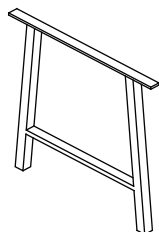
ASSEMBLY INSTRUCTION

INSERT GLASS TOP DINING TABLE

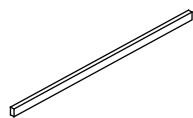
A Table Top **B** Side Frame Leg **C** Stretcher **D** Wine Cup Rack **E** Wine Bottle Rack



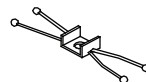
1 pc



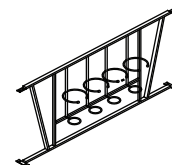
2 pcs



2 pcs



3 pcs



1pc

F Bolt
1/4x50mm



8 pcs

G Bolt
1/4x15mm



11 pcs

H Bolt
1/4x30mm



4 pcs

I Screw
4x15mm



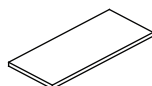
4 pcs

J Allen Wrench
4mm



1 pc

K Glass
1194x508x8mm



1 pc

L Spring Washer

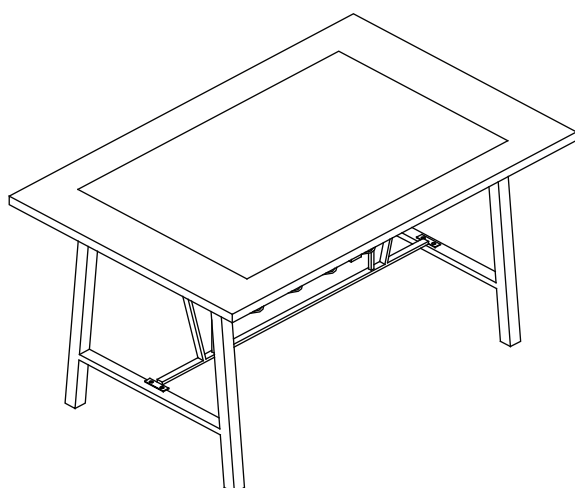


23pcs

M Flat Washer

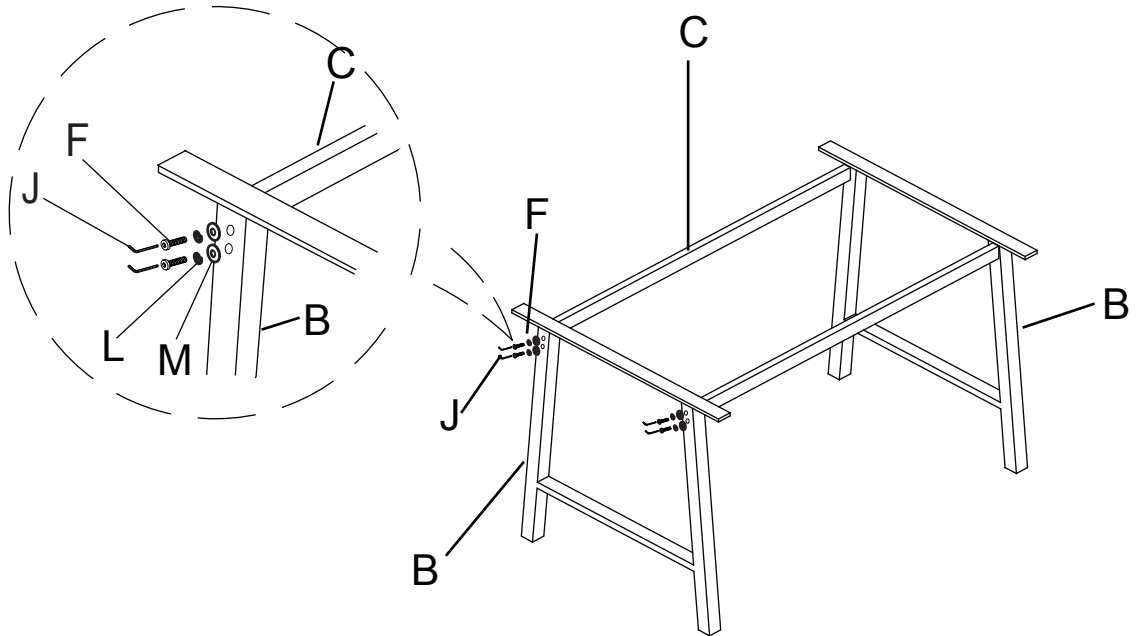


23pcs

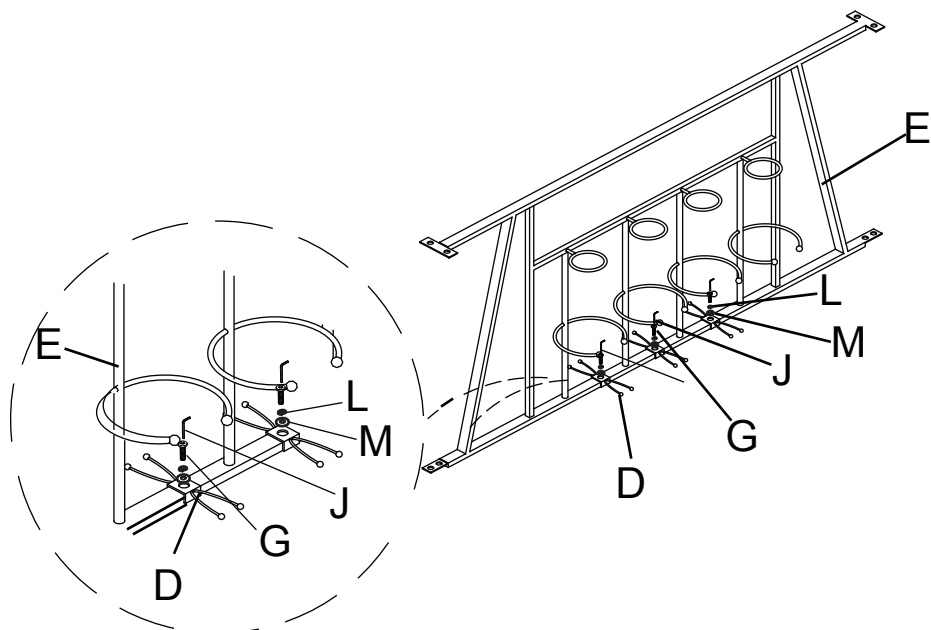


This page lists all the contents included in the box. Please take the time to identify the hardware as well as the individual components to this product. As you unpack and prepare for assembly, place the contents on a carpeted or padded area to protect them from damage.

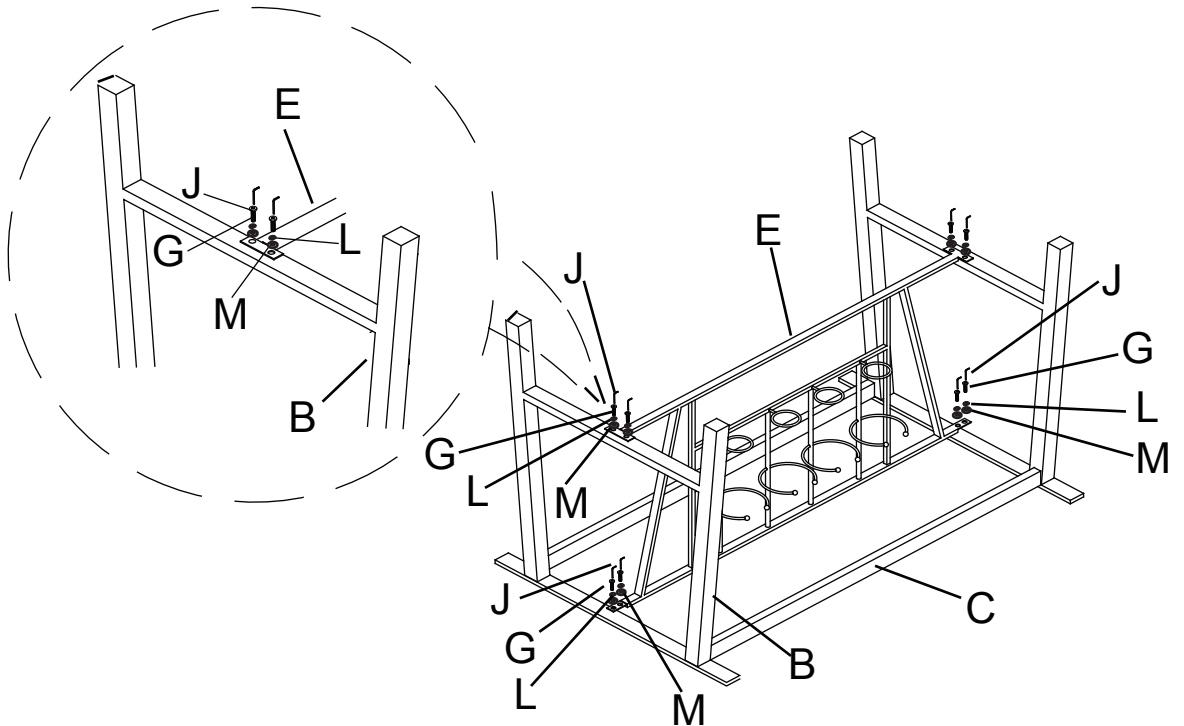
-
- 1** ATTACHED THE STRETCHER (C) TO THE SIDE FRAME LEGS (B), USE BOLT (F) THROUGH FLAT WASHER (M) AND SPRING WASHER (L) ON HOLES OF SIDE FRAME LEGS (B), TURN THE ALLEN WRENCH (J) IN BOLT (F).



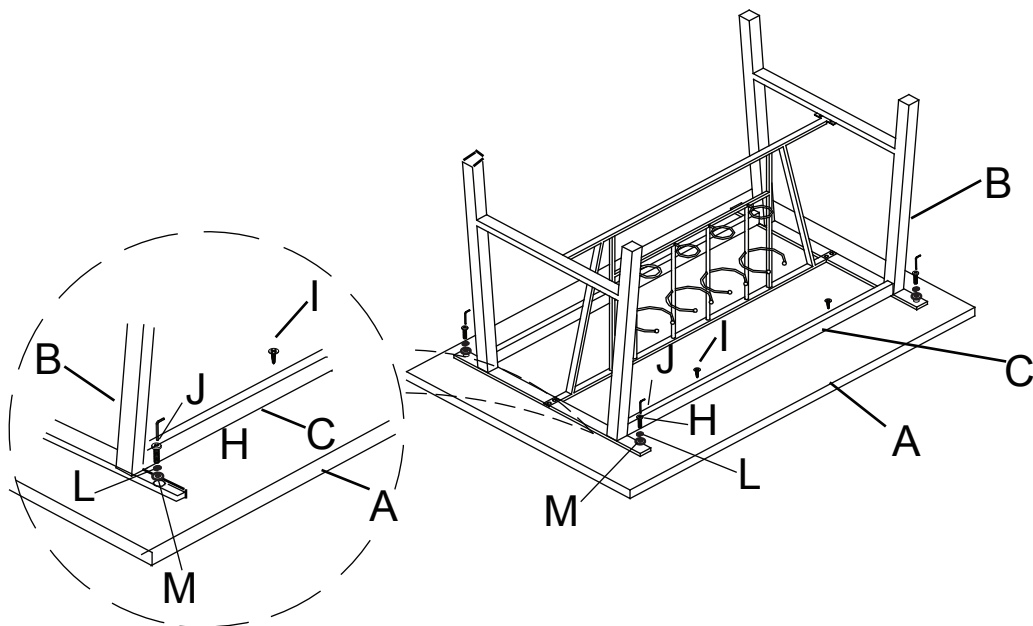
-
- 2** ATTACHED THE WIND CUP RACK (D) TO WINE BOTTLE RACK (E), USE BOLT (G) THROUGH FLAT WASHER (M) AND SPRING WASHER (L) ON HOLES OF WINE BOTTLE RACK (E), TURN THE ALLEN WRENCH (J) IN BOLT (G).



- 3** ATTACHED THE WINE BOTTLE RACK (E) TO THE SIDE FRAME LEGS (B), USE BOLT (G) THROUGH FLAT WASHER(M) AND SPRING WASHER(L) ON HOLES OF WINE BOTTLE RACK,TURN THE ALLEN WRENCH (J) IN BOLT (G).

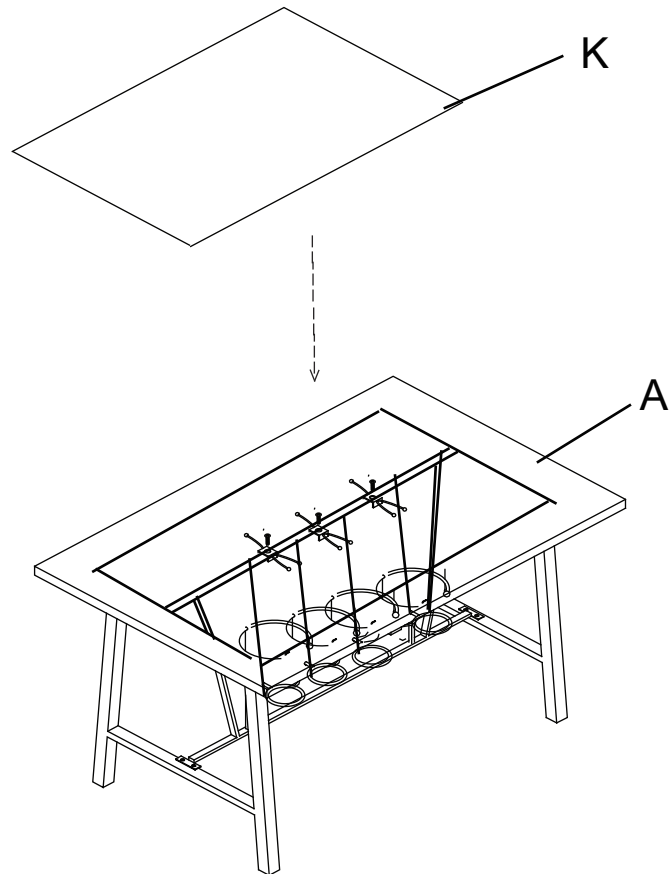


- 4** ASSEMBLED TABLE BASE ON THE BACK OF TABLE TOP (A), USE THE BOLT(H) THROUGH FLAT WASHER(M) AND SPRING WASHER(L) AND SCREW(I) ON THE HOLES OF THE TABLE BASE, TURN THE ALLEN WRENCH (J) IN BOLT (H).



5

PUT THE TABLE TOP GLASS (K) TO THE TABLE TOP FRAME (A), COMPLETE ASSEMBLY.



Cleaning & Care

Treat surface with care. Surface is resistant to scratches but is not scratch resistant. Clean surfaces with a dry or damp soft cloth. Do not use abrasive cleaners. Hardware may loosen over time. Periodically check that all connections are tight.