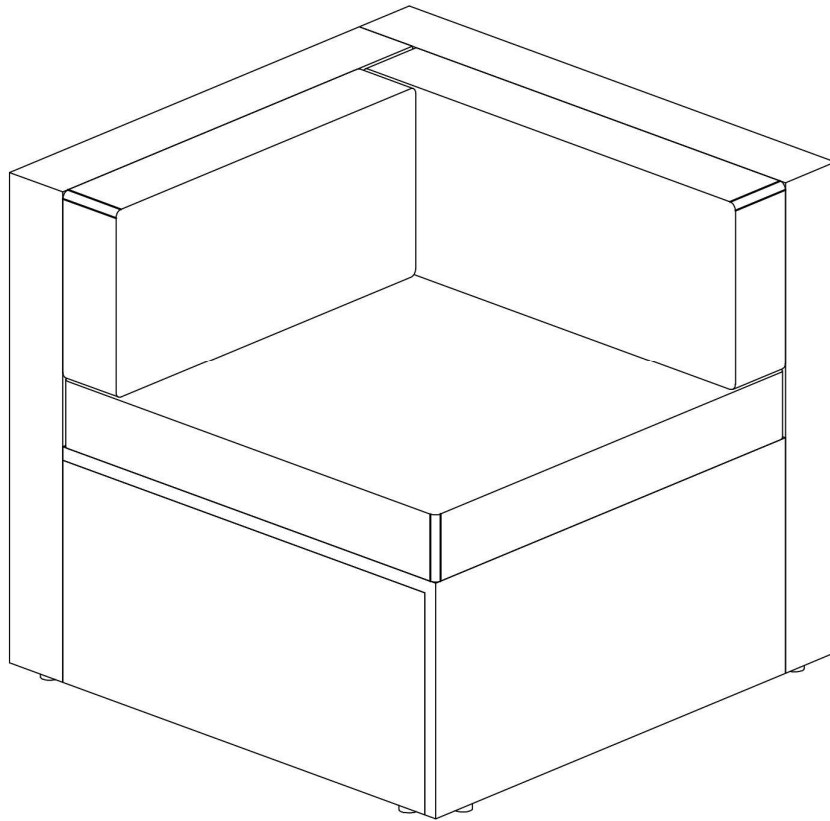
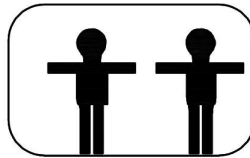


ASSEMBLY INSTRUCTIONS

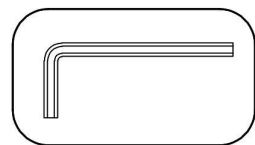


. Use of power to assemble this product will invalidate any claim and damage this product making it unsafe!!!
. Please assemble on a clean soft surface to avoid damage.

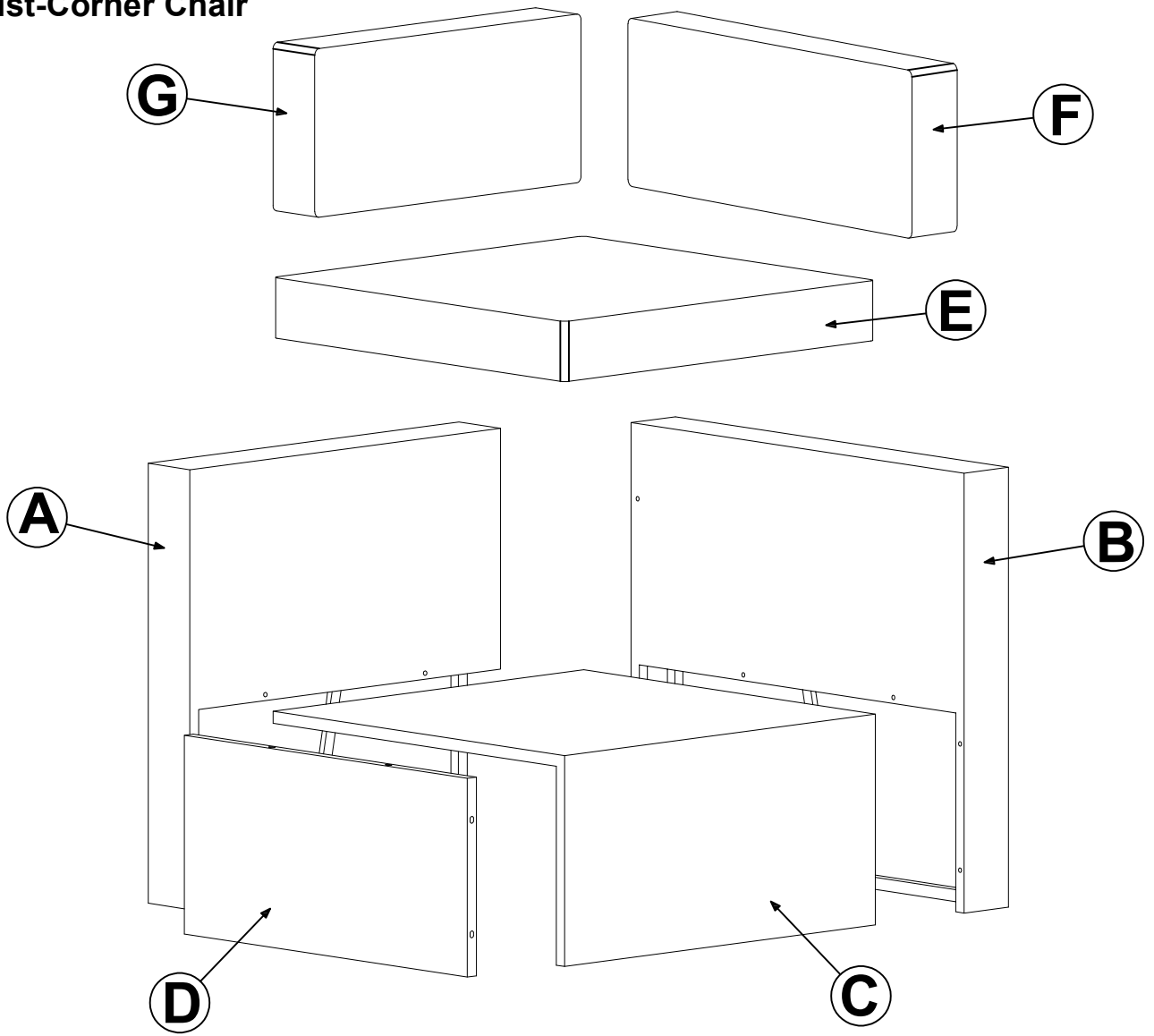


30 minutes

Tool Included



Part List-Corner Chair



Identifying the hardware-Identifying the hardware using the illustrations below.

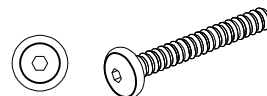
1



M6X35 mm

14

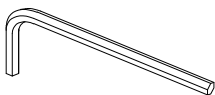
2



M6X110 mm

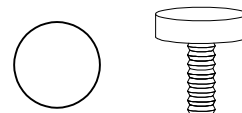
01

3



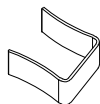
01

4




08


5

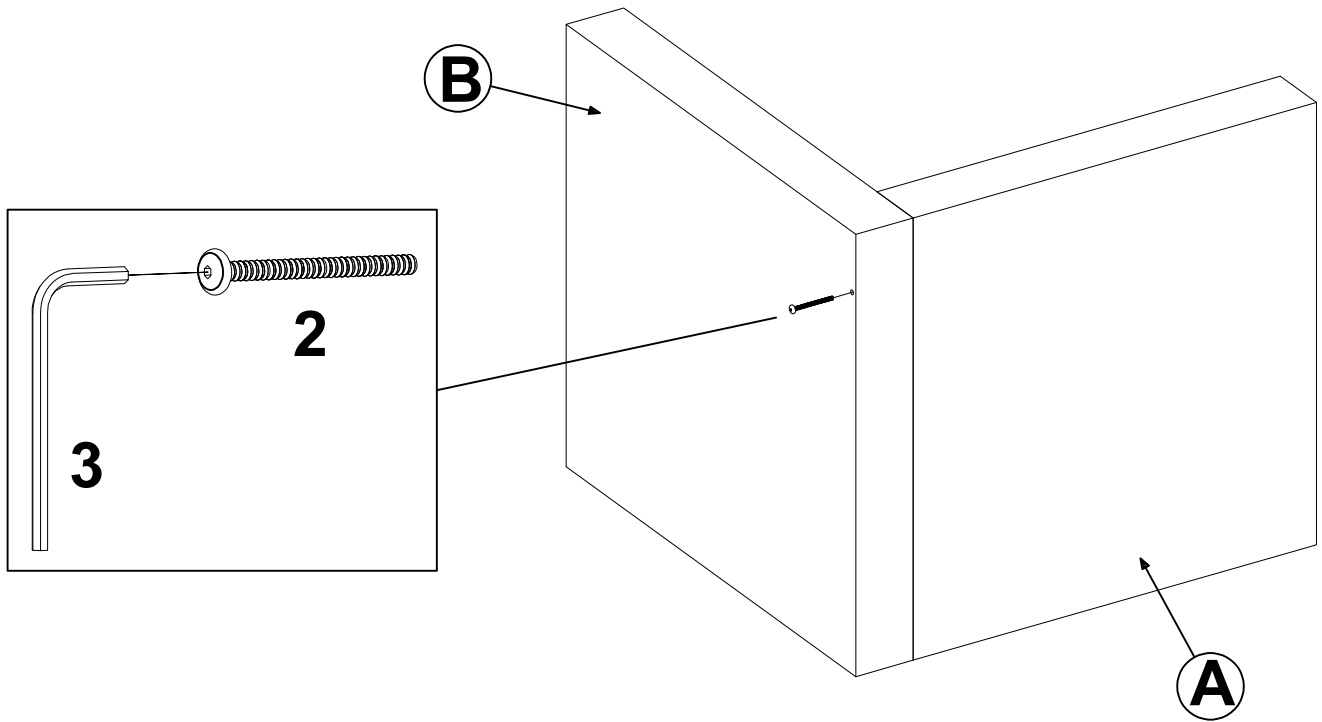


04

STEP 1


2  01
M6X110 mm

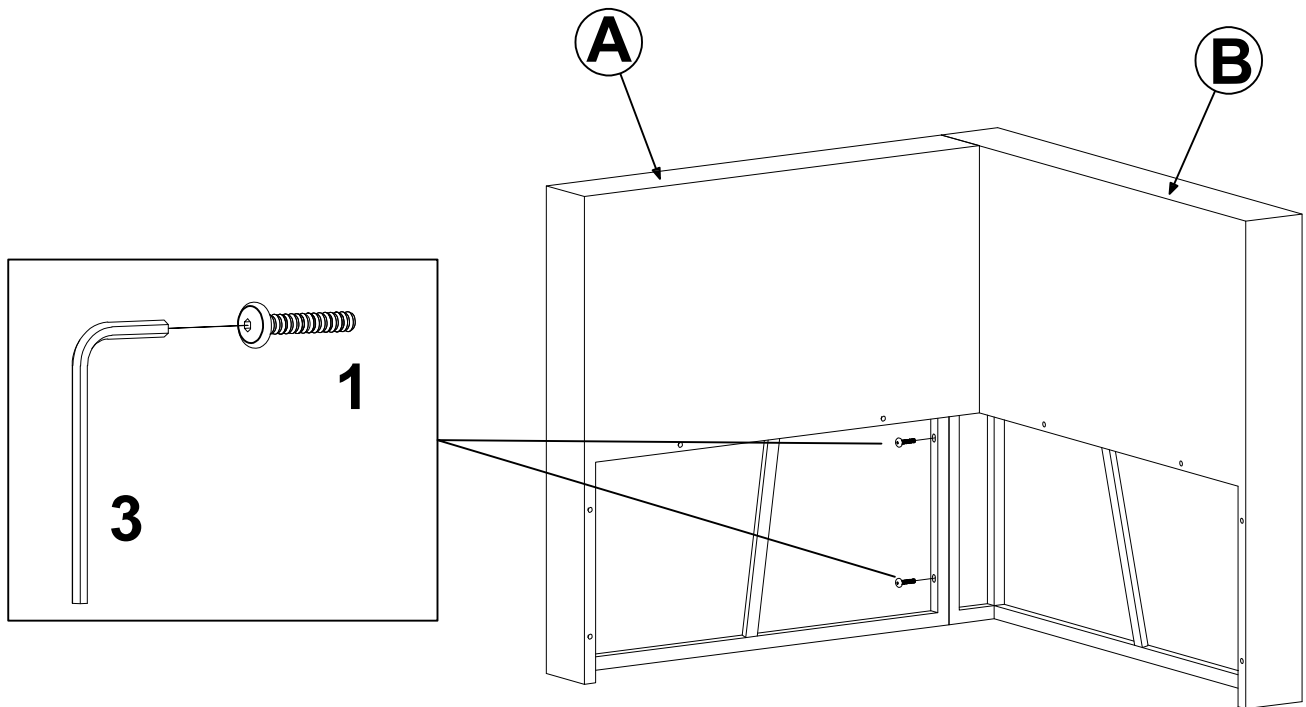
3  01



STEP 2


1  02
M6X35 mm

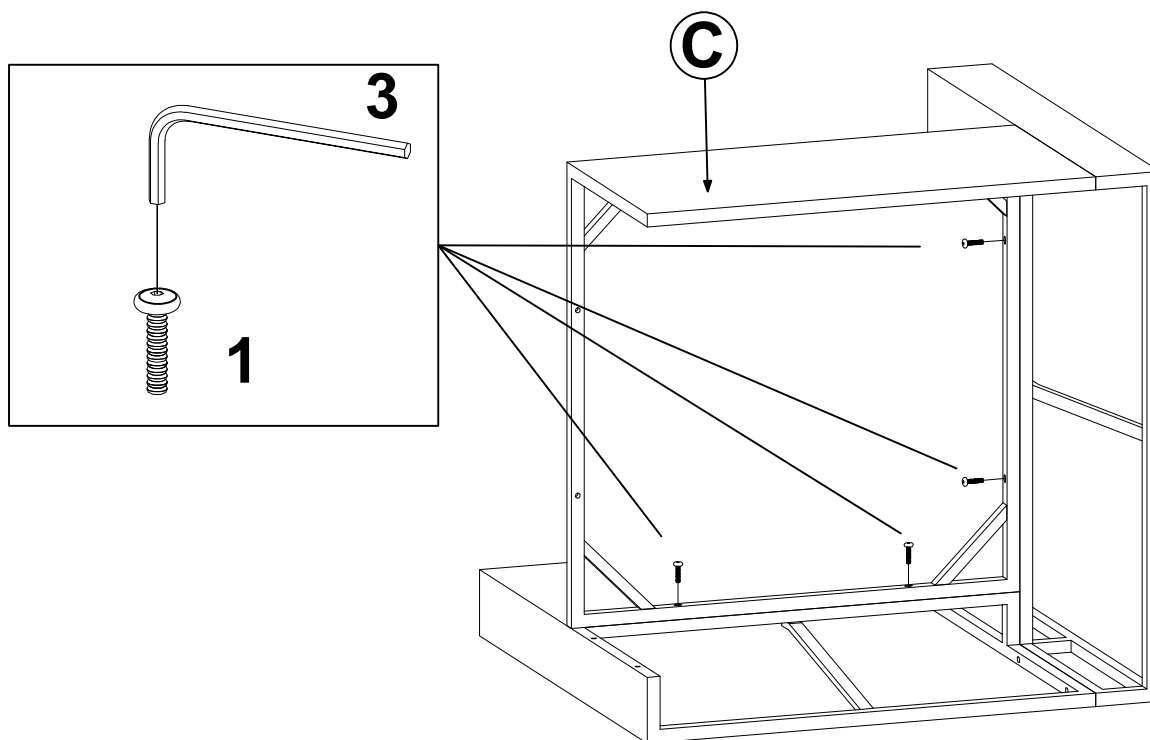
3  01



STEP 3

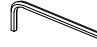
1  04
M6X35 mm

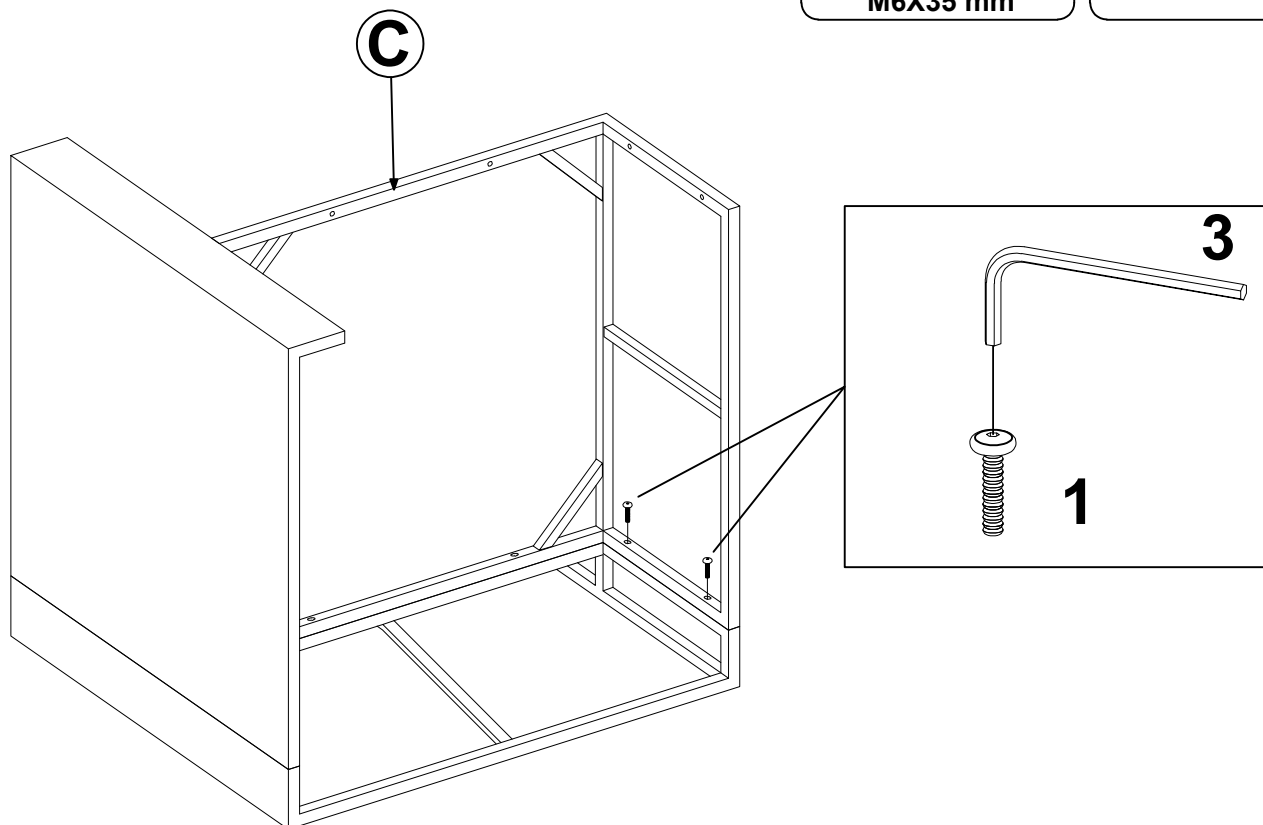
3  01



STEP 4


1  02
M6X35 mm

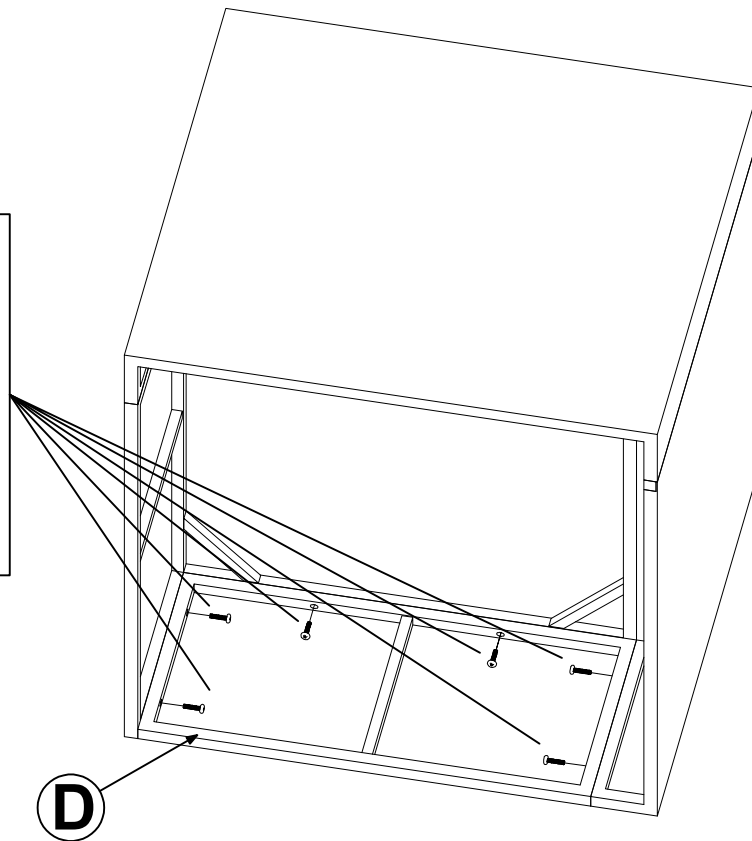
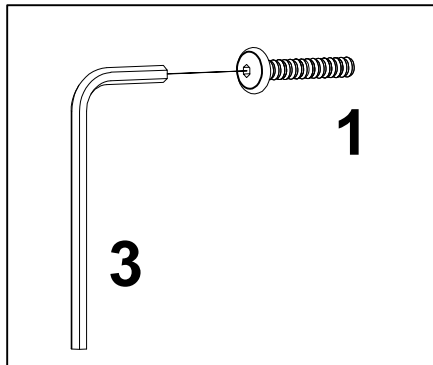
3  01




STEP 5

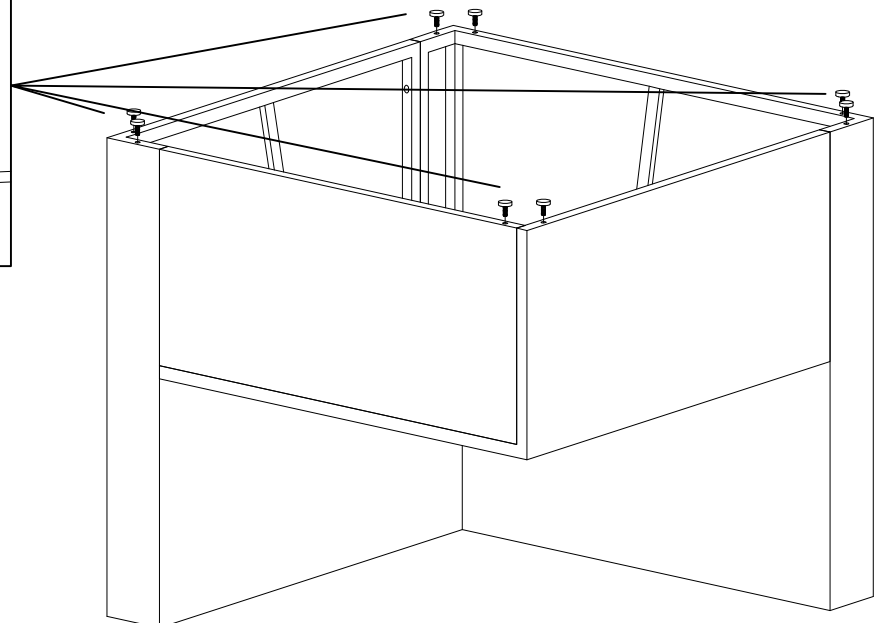
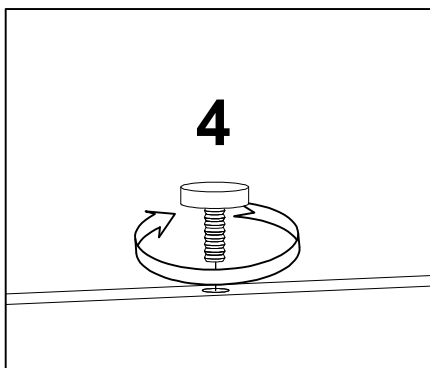
1  06
M6X35 mm

3  01

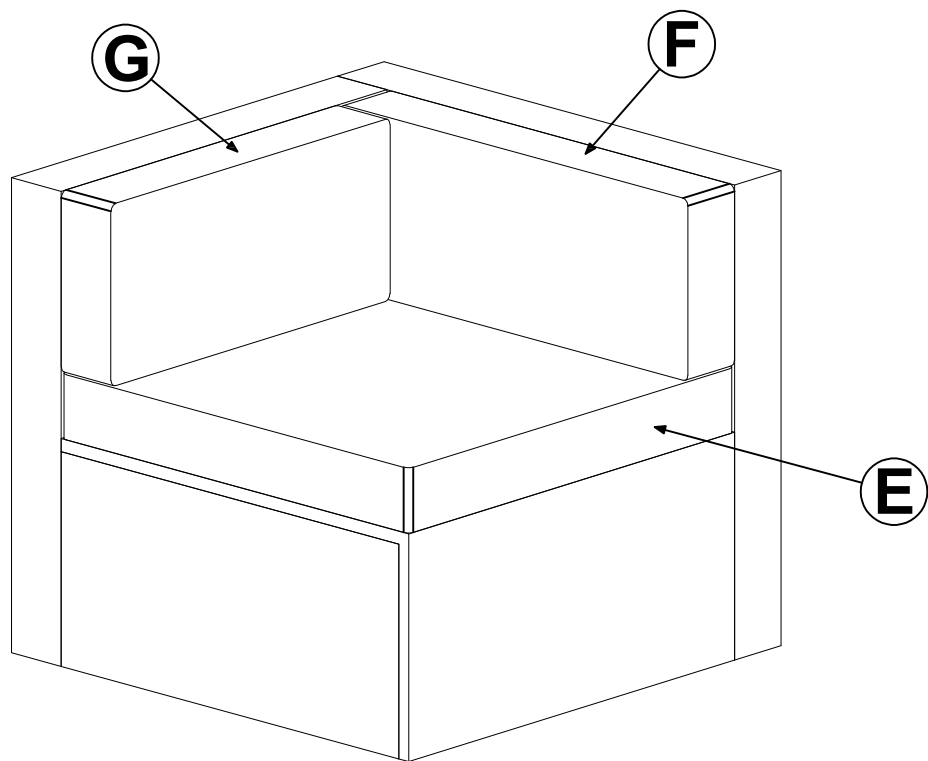


STEP 6

4  08



STEP 7



STEP 8

