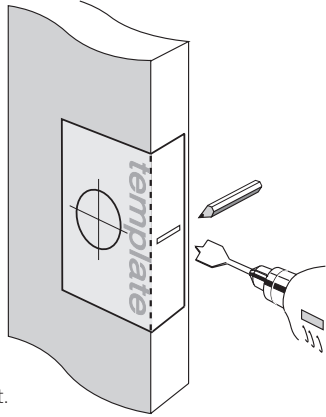


### Step 1

#### 1. Position Template

- Fold the template as indicated.
- Place it on the door edge at the desired latch height.
- Hold firmly and mark the latch height and handle fixing holes according to the template.



#### 2. Mark and Drill Holes

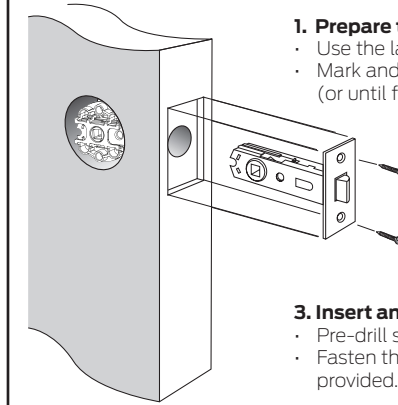
- Measure the door thickness and mark the centre.
- Drill a 25mm hole in the door edge for the latch.
- Drill a 54mm hole through the door face at the 60mm backset.

Tip: Drill squarely for proper alignment.

### Step 2

#### 1. Prepare the Door Edge

- Use the latch faceplate as a guide.
- Mark and chisel a recess 2mm deep (or until flush) for the latch plate.



#### 2. Insert the Latch Support

- Insert latch support into hole as shown (suitable and required for 54mm hole prep).

#### 3. Insert and Secure the Latch

- Pre-drill screw holes.
- Fasten the latch with the screws provided.

### Step 3

#### 1. Insert the Spindle

- Insert the square drive spindle (1) through the latch.

#### 2. Attach the Levers

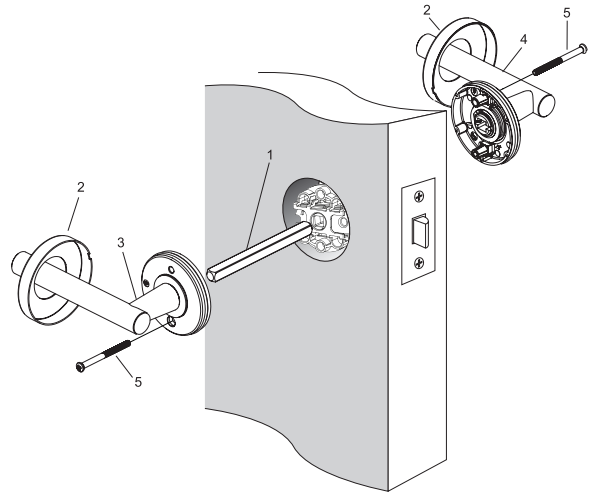
- Remove the rosette covers (2) from both lever assemblies.
- Slide one lever (3) onto the spindle.
- Attach the second lever (4) on the opposite side.

#### 3. Secure the Levers

- Use the screws (5) provided to fasten both levers together.
- Use long screws for thick doors (40-45mm) and short screws for thin doors (32-39mm).
- Each under-rose has one countersunk hole and one threaded hole.
- Insert a screw from each side through the countersunk hole into the opposite threaded hole.
- Ensure lever is level, then tighten both screws securely.

#### 4. Replace Rosette Covers

- Push the covers (2) over the rubber rings until flush with the door.



**NOTE:** Carefully follow these instructions when installing. Screws to be hand tightened to a recommended 2.5Nm torque.



FOLD HERE

Mark centre-line of latch hole

Mark centre-line of latch hole

PRINT TO SCALE

Fit here on door edge

Fit here on door edge

54mm hole – refer Step 1.

BACKSET 60mm

Suits doors 32mm to 45mm thick.

Hole pitch

Optional hole pattern  
2 x 10mm hole

Optional hole pattern  
25mm hole



**Allegion (New Zealand) Limited**  
 Freephone 0800 477 869  
 Email nzinfo@allegion.com  
 www.allegion.co.nz



01/2026  
 PDSC0025-R2