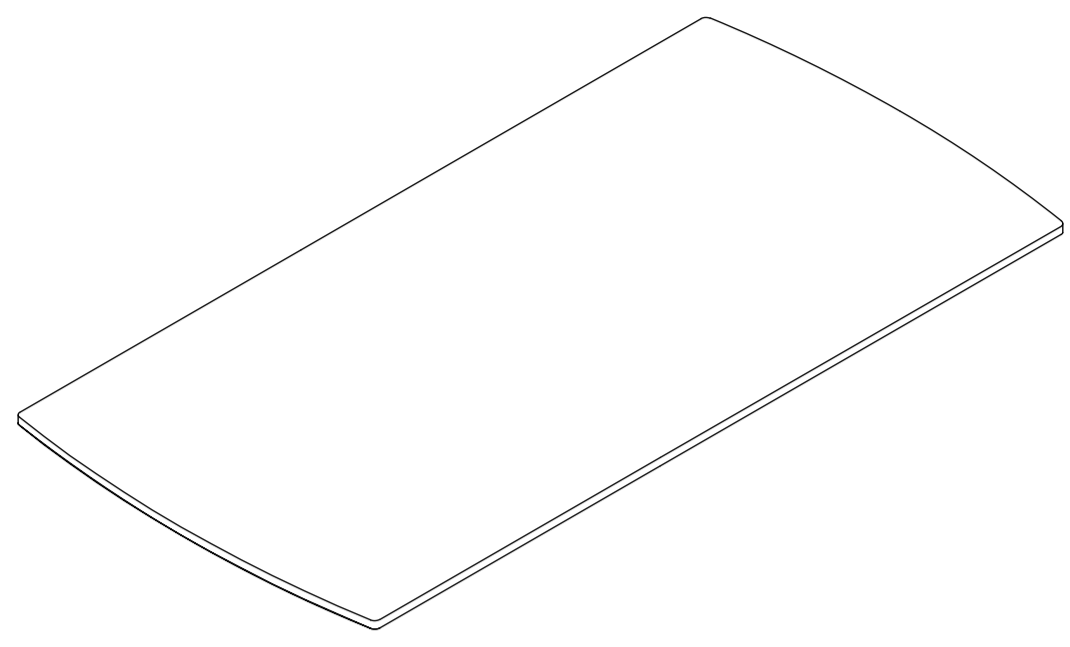


ASSEMBLY INSTRUCTION

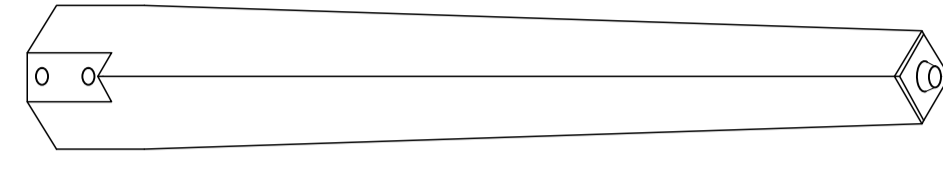
72" RECTANGULAR DINING TABLE

A Table Top



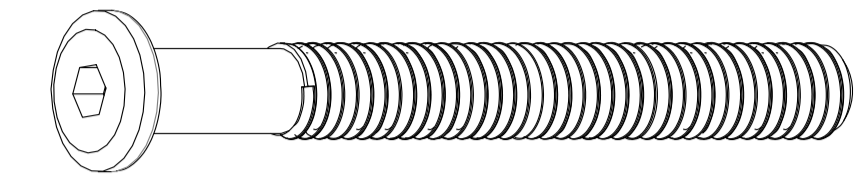
1 PC

B Leg



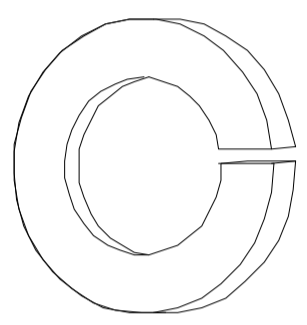
4 PCS

C Bolt
Ø1/4" x 70mm



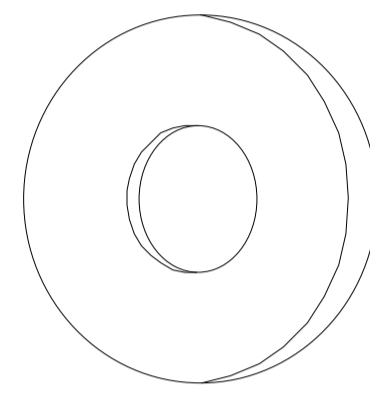
8 PCS

D Spring Washer
Ø1/4" x Ø13mm x 2mm



8 PCS

E Flat Washer
Ø1/4" x Ø19mm x 2mm

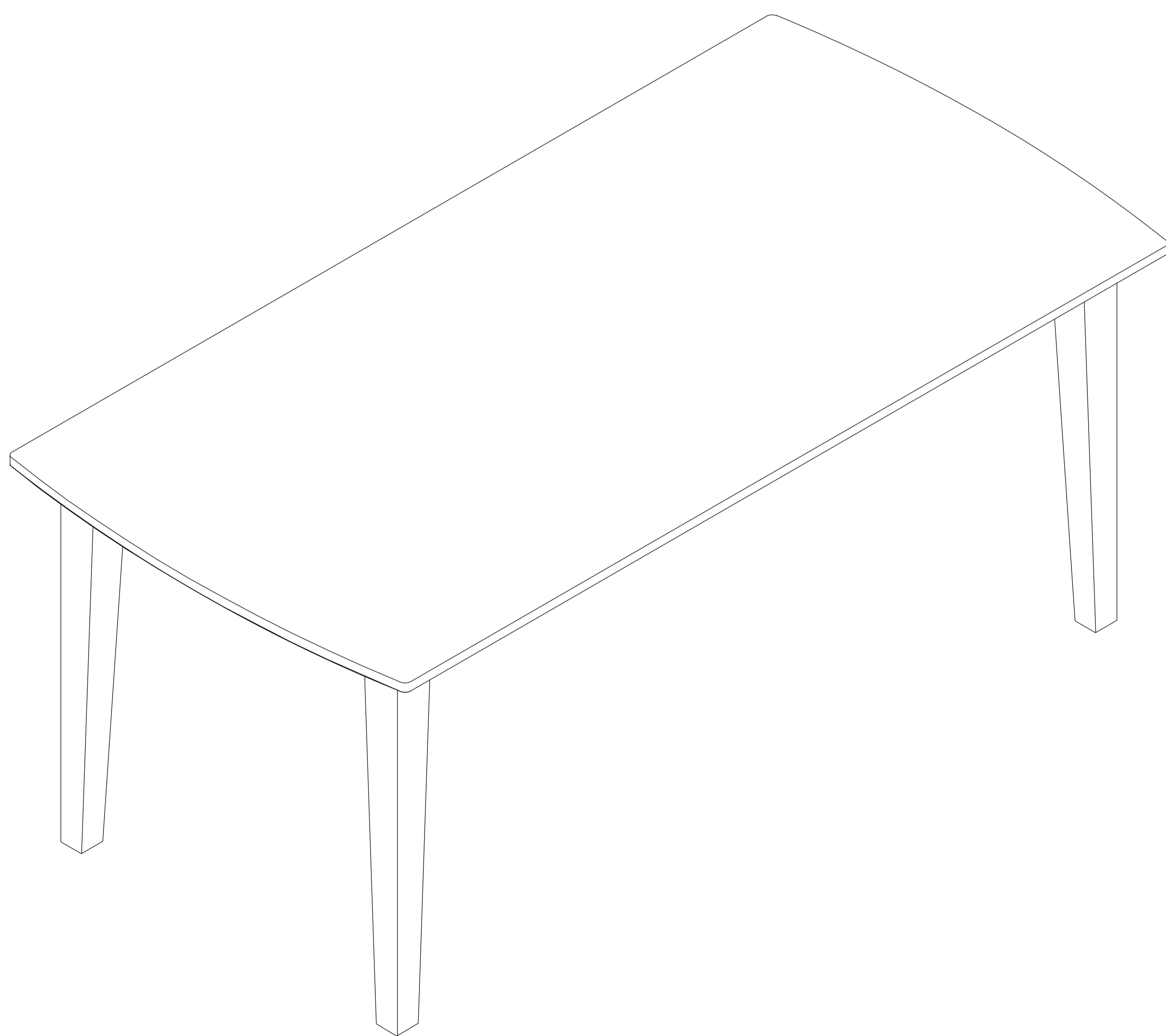


8 PCS

F Allen Wrench
4mm

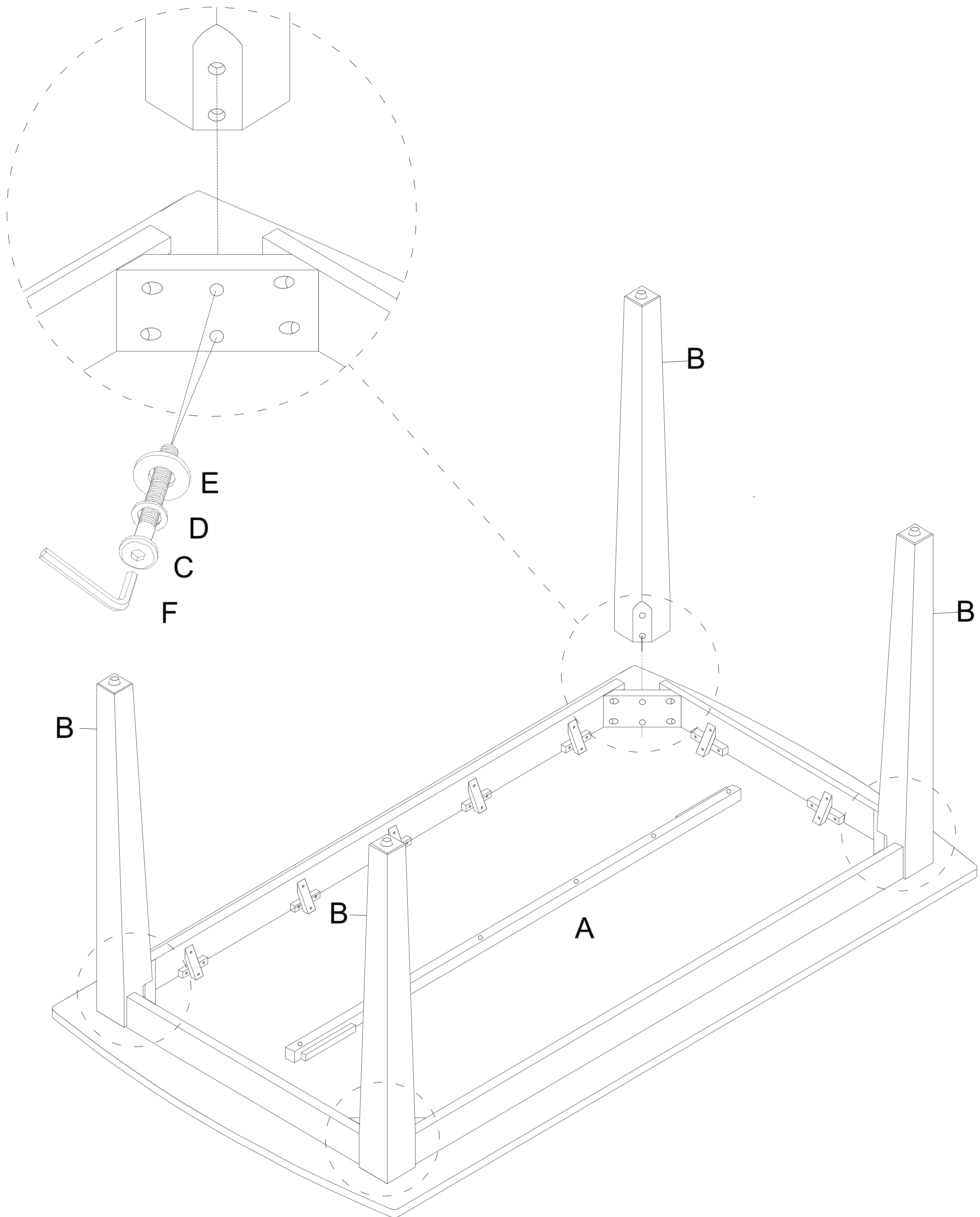


1 PC



This page lists all the contents included in the box. Please take the time to identify the hardware as well as the individual components to this product. As you unpack and prepare for assembly, place the contents on a carpeted or padded area to protect them from damage.

- 1 Attach Leg (B) to Table Top (A) using Bolt (C), Spring Washer (D) and Flat Washer (E) with Allen Wrench (F).



Cleaning & Care

Treat surfaces with care. Surfaces are resistant to scratches but are not scratch resistant. Clean surfaces with a dry or damp soft cloth. Do not use abrasive cleaners. Hardware may loosen over time. Periodically check that all connections are tight.