



# Memoirs® Stately | K-2337-8

22-3/4" rectangular drop-in bathroom sink








## Features

- 8" (203 mm) widespread faucet holes
- Elegant rectangular basin
- Overflow drain
- Coordinates with other products in the Memoirs collection



## Available Colors/Finishes

*Color tiles intended for reference only.*

- |   |    |             |
|---|----|-------------|
|  | 0  | White       |
|  | 96 | Biscuit     |
|  | NY | Dune        |
|  | 95 | Ice Grey    |
|  | 7  | Black Black |
|  | 17 | Teal        |
|  | 42 | Aspen Green |



1-800-4KOHLER (1-800-456-4537)  
Kohler Co. reserves the right to make revisions without notice to product specifications.  
For the most current specification sheet, go to [www.kohler.com](http://www.kohler.com) USA or [www.kohler.ca](http://www.kohler.ca) Canada.  
4-7-2026 21:13 - US-CA

THE BOLD LOOK  
OF **KOHLER**®

## Codes/Standards

ADA, OBC, CSA B651 compliant when installed to the specific requirements of these regulations.



ASME A112.19.2/CSA B45.1

ADA

ICC/ANSI A117.1

CSA B651

OBC

## Technical Information

Number of Deck Holes:	3
Faucet Hole(s) Size:	1-3/8" (35 mm)
Center(s):	8" (203 mm)
With Overflow:	Yes
Drain Hole Diameter:	1-3/4" (44 mm)
Basin Configuration:	Single Bowl
Basin Length:	17" (432 mm)
Basin Width:	10" (254 mm)
Basin Depth:	7-1/4" (184 mm)

## Material

- Vitreous china

## Recommended Products/Accessories

K-23726 Drain treatment

K-8998 Adjustable P-trap with tubing outlet, 1-1/4" x 1-1/4"

K-23725 Cast iron cleaner

## Warranty

See website for detailed warranty information.

KOHLER® Vitreous China Bathroom Sink Lifetime Limited Warranty

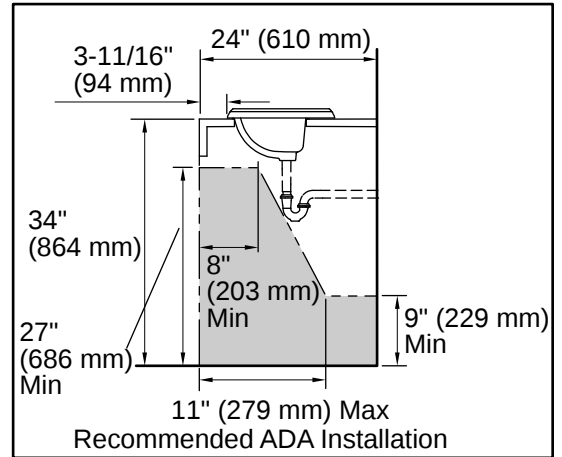
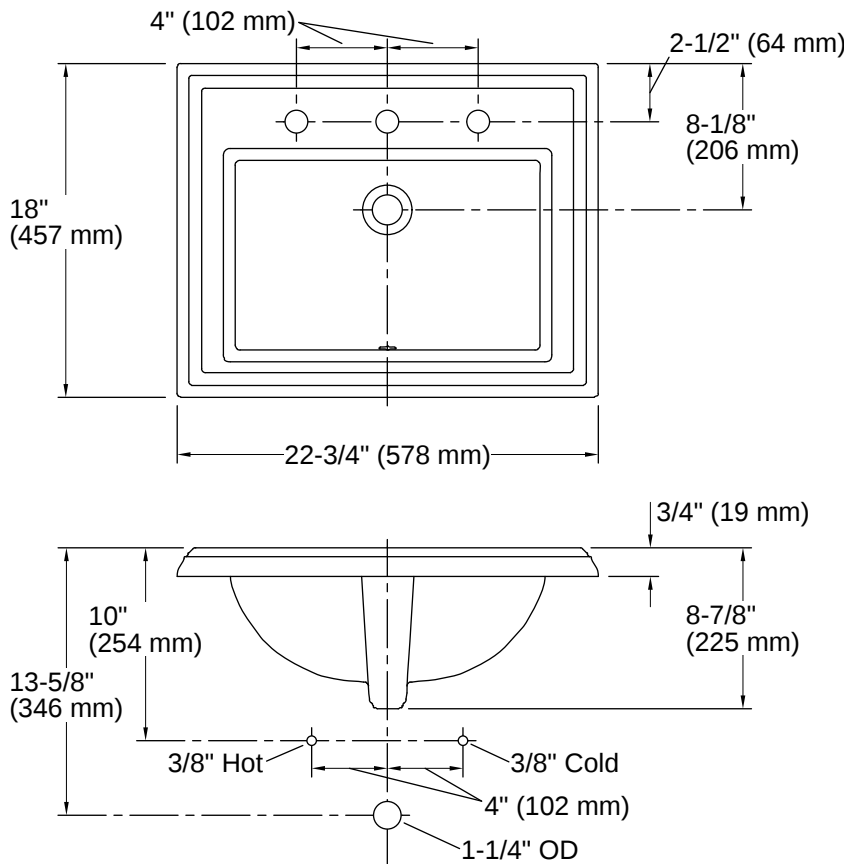


1-800-4KOHLER (1-800-456-4537)

Kohler Co. reserves the right to make revisions without notice to product specifications.

For the most current specification sheet, go to [www.kohler.com](http://www.kohler.com) USA or [www.kohler.ca](http://www.kohler.ca) Canada.

4-7-2026 21:13 - US-CA



## Installation

- Drop-in

## Installation Notes

*Install this product according to the installation instructions.*

NOTICE: Countertop manufacturer or cutter must use the cut-out template provided with the product, or a current one provided by Kohler Co. (call 1-800-4KOHLER). Kohler Co. is not responsible for cut-out errors when incorrect cut-out template is used.

Product dimensions are nominal and may vary per ASME A112.19.2 tolerances.

ADA, OBC, CSA B651 compliant when installed to the specific requirements of these regulations.

