

Project		Catalog #		Type	
Prepared by		Notes		Date	



Greengate

LiteKeeper LK4

Stand-alone lighting control panel

Interactive Menu

- Order Information page 2
- Additional Resources page 2
- Wiring Diagrams page 3
- Product Warranty

Product Certification



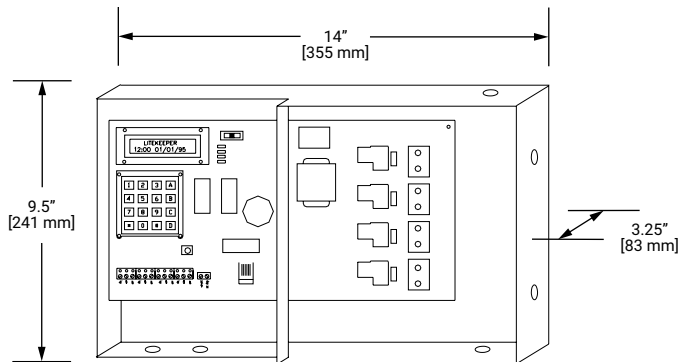
Product Features



Top Product Features

- Manual and programmable control of each relay via a simple keypad and 2 line LCD display
- Normally open relays
- Relays are built onto control board
- Options to meet Buy American Act requirements

Dimensional Details



additional product diagrams

Order Information

SAMPLE ORDER NUMBER: **LK4-120NO**

Catalog Number

Domestic Preferences ⁽¹⁾	Catalog Number	Description
[Blank] = Standard BAA = Buy American Act	LK4-120NO	4 Relays, 120/277 VAC standard, normally open
	LK4-277NO	4 Relays, 120/277 VAC standard, normally open

Notes

(1) Only product configurations with this designated prefix are built to be compliant with the Buy American Act of 1933 (BAA). Please refer to [DOMESTIC PREFERENCES](#) website for more information. Components shipped separately may be separately analyzed under domestic preference requirements.

Product Specifications

Enclosure

NEMA 1 surface mount, lockable

Installation

Install in accordance with National Electrical Code and any other codes that may apply.

Mechanical

Size: 9.5"H X 14"W X 3.25"D (241 mm x 355 mm x 83 mm)

Environment:

- **Operating temperature:** 32°F to 122°F (0°C to 50°C)

Transformer Ratings

120 VAC or 277 VAC

Power Use Ratings: Fully loaded panel 20 watts

Master Override

- ON/AUTO/OFF

Programming

- Onboard keypad and LCD display
- Optional PC Software

Standard Relay Ratings

- 20A, 120/277 VAC
- Normally open
- Maximum wire size: 10 AWG
- Mechanical operations: 10 million

Standards/Ratings

- UL Approval
- UL 916 Listed

Warranty

Five year warranty standard

Overview

The LiteKeeper 4 stand-alone lighting control panel is an all-inclusive, premium grade system for applications that would traditionally use a timeclock in conjunction with contactors. Each panel allows control of up to four 20A circuits. The LiteKeeper 4 has more standard features than any other stand-alone panel on the market to create a state of the art stand-alone lighting control system.

System Includes:

- UL Listed – UL 916 standard
- NEMA 1 enclosure
- 4 20A relays
- 4 low voltage input connections
- Time schedules with astronomic clock
- Prioritization and masking of switch inputs, time schedules and remotes
- Timed inputs
- Occupant warn-off and overrides
- Keypad and 2 line LCD display
- RS-232 port standard

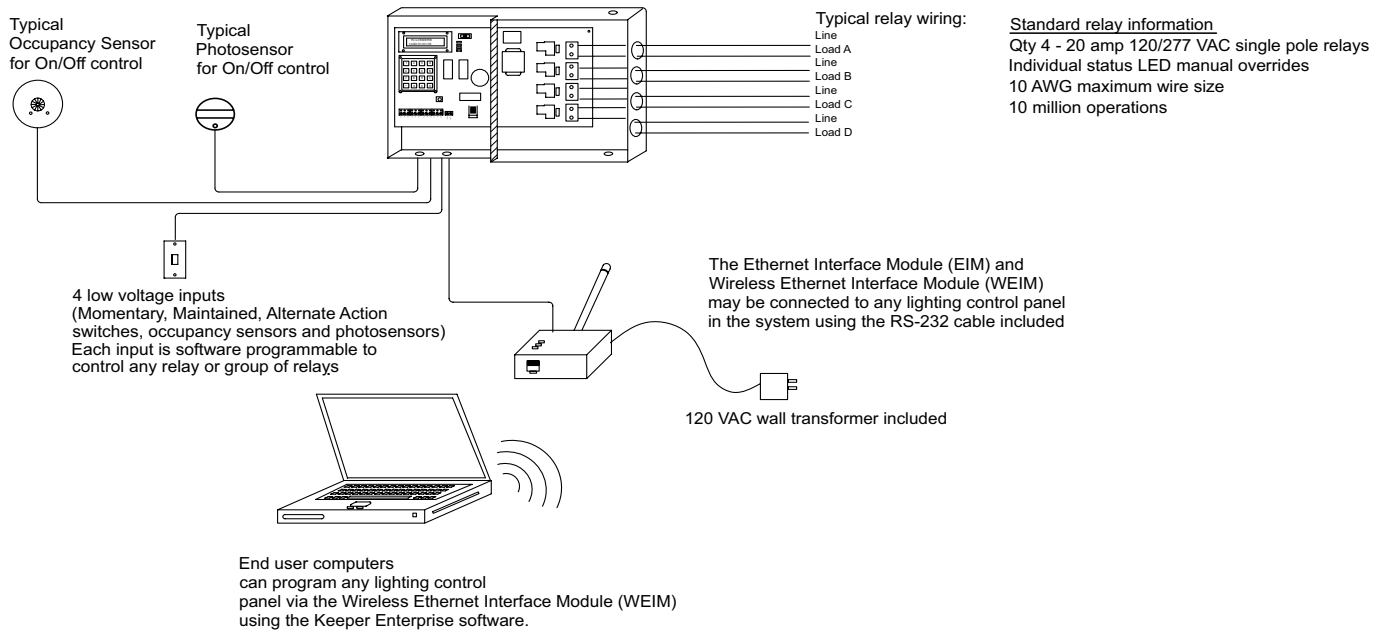
Accessories:


- Keeper Enterprise Software
- Ethernet Interface Module
- Telephone Interface Module
- Dry Contact Switch
- Contact Input Photosensor
- Occupancy Sensor
- CEPC

Wiring Diagrams

Sample One-Line

Lighting control panel power supply:
Voltage specific transformer. Specify 120 VAC or 277 VAC for the transformer voltage.



 **Control Systems**
• Greengate