

# NEWPORT BRASS

## NEWPORT BATH

### 1/2" IN-WALL DIVERTER VALVE

# 1-707



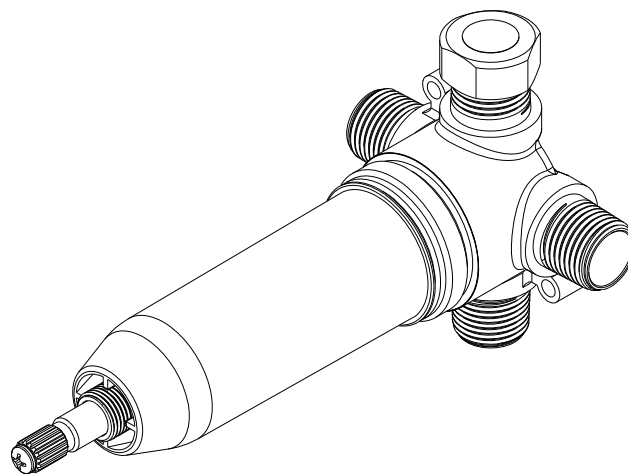
### Features

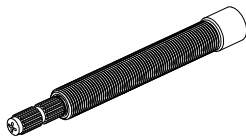
- Solid brass construction
- 1/2" In-wall diverter valve, 3 function with NO OFF. 1 inlet, 2 outlets.
- Requires Newport Brass Handle Trim (many options available, sold separately)

### Codes / Standards Compliance

Meets or exceeds the following at date of manufacture:

- ASME A112.18.1/CSA B125.1
- IAPMO/cUPC
- IPC
- California Energy Commission
- All applicable US Federal and State material regulations

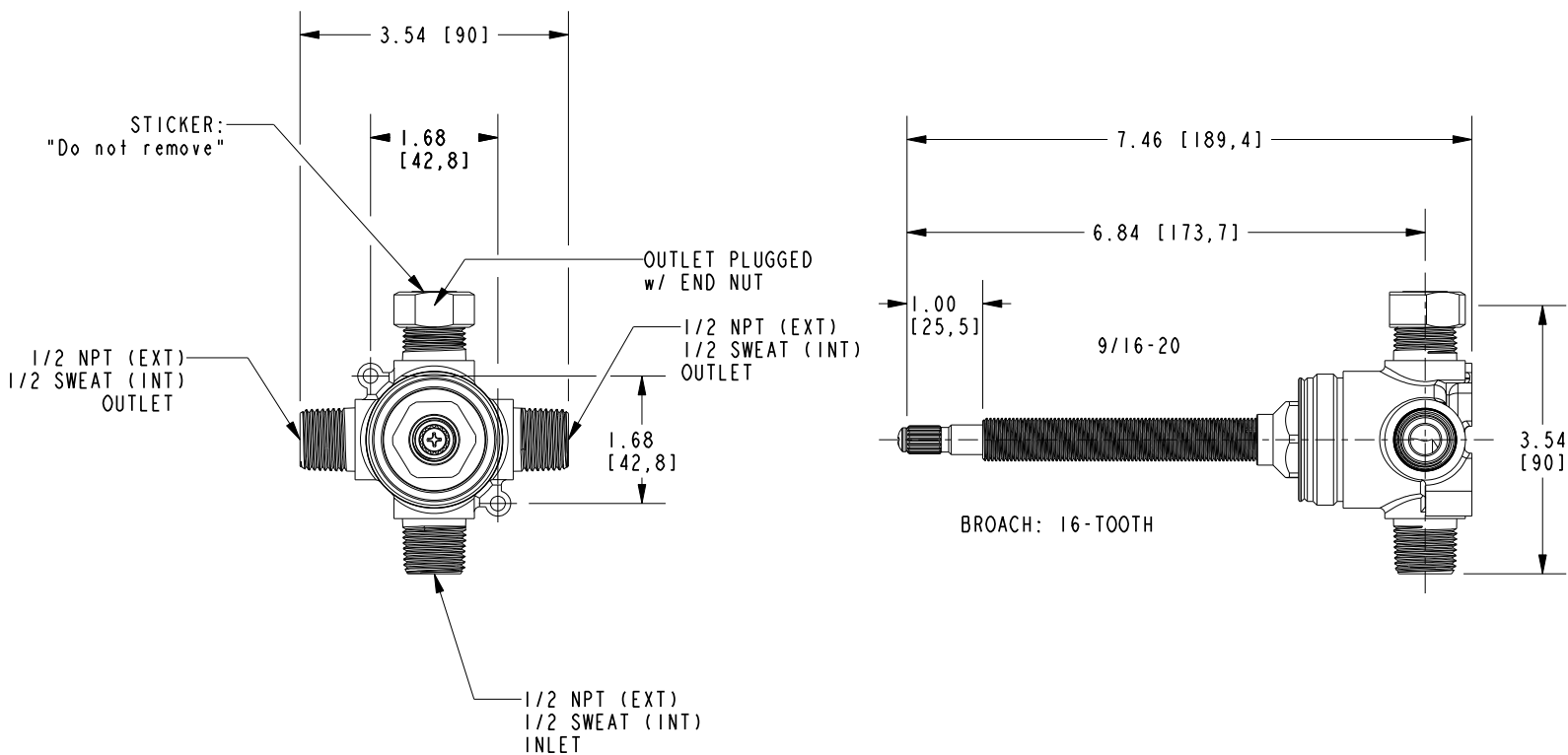


<b>OPTIONAL ACCESSORY</b>	
<b>System Element</b>	Stem Extension
<b>Description</b>	Stem Extension Kit
<b>Part Number</b>	1-384
<b>Image</b>	

# NEWPORT BRASS

## PRODUCT DIMENSIONS *(Units are in inches)*

Product Dimensions are provided for reference only. For specific product installation guidelines, please reference the Installation Instructions of the product being installed.



## 1/2" IN-WALL DIVERTER VALVE

# I-707