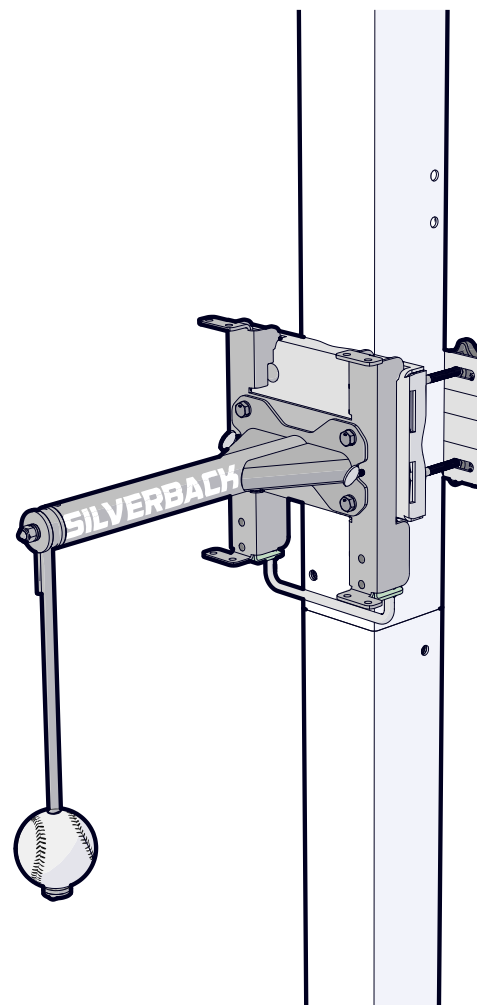


SILVERBACK

SWING TRAINER BASEBALL SYSTEM

MODEL NO.
B8420W



**Please Do Not Return This
Product to the Store!**

Contact Escalade® Sports customer service department at:
Phone: 1-888-USA-GOAL Toll-Free!
Fax: 1-866-873-3536 Toll-Free!
E-mail: customerservice@escaladesports.com

PRE-ASSEMBLY TIPS

1. **Read this manual carefully before starting assembly.** Read each step completely before beginning each step.
2. **Some smaller parts may be shipped inside larger parts. Check inside all parts and cartons before assembling or ordering parts.**
3. **To make assembly easier, use the Hardware Identifier on page 5 & 6 to identify and sort all fasteners. Check all cartons for kits. All hardware may not be located in one kit.**
4. **Do not tighten hardware until instructed to do so. If hardware is tightened too soon, mounting holes may not align and parts may not easily fit together.**
5. **Save these instructions and your proof of purchase (receipt) in the event that the manufacturer has to be contacted for replacement parts.**



Please Do Not Return This Product To The Store!

Contact Escalade[®] Sports customer service department at:

Phone: 1-800-USA-GOAL Toll – Free !
 Fax: 1-866-873-3536 Toll – Free !
 E-mail: basketball@escaladesports.com

Please visit our Website at:
www.escaladesports.com

ON-LINE TROUBLE SHOOTING TECHNICAL ASSISTANCE
 ON-LINE PARTS REQUESTS FREQUENTLY ASKED QUESTIONS
 ADDITIONAL ESCALADE[®]SPORTS PRODUCT INFORMATION



Escalade Sports
Physical Location: 817 Maxwell Ave.
 Evansville, IN 47711

Mailing Address: (Correspondence Only)
 PO Box 889
 Evansville, IN 47706

SAFETY INSTRUCTIONS

FAILURE TO FOLLOW THESE SAFETY INSTRUCTIONS MAY RESULT IN SERIOUS INJURY, PROPERTY DAMAGE AND WILL VOID WARRANTY.

Owner must ensure that all players know and follow these rules for safe operation of the system.

To ensure safety, do not attempt to assemble this system without following the instructions carefully. Proper and complete assembly, use and supervision is essential for proper operation and to reduce the risk of accident or injury. A high probability of serious injury exists if this system is not installed, maintained, and operated properly.

- If using a ladder during assembly, use extreme caution.
- Ensure there are no overhead power lines within 20 ft. (7m) radius of the mounting structure location.
- Climate, corrosion or misuse can result in hoop failure.
- If Technical assistance is required, contact the manufacturer.

*Most injuries are caused by misuse and/or not following instructions.
Use caution when using this system.*

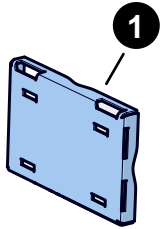
WARNING

FAILURE TO FOLLOW THESE WARNINGS MAY RESULT IN SERIOUS INJURY AND/OR PROPERTY DAMAGE. OWNER MUST ENSURE THAT ALL PLAYERS KNOW AND FOLLOW THESE RULES FOR SAFE OPERATION.

If installed on a basketball goal, do not perform basketball activities when the Swing Trainer is installed and in use • During use, no persons should be within 10ft of the player swinging the bat. Serious injury could occur if a baseball bat were to come in contact with a spectator • Before using, ensure the player is standing far enough away from the mounting structure so that the baseball bat will not be able to strike the mounting structure • Property damage could occur if bat were to strike mounting structure • Do not use hands or other objects to stop the tether assembly from spinning • Doing so could result in injury and/or property damage • Do not hang from any part of the Swing Trainer, including the tether assembly and the arm • Never play on damaged equipment • Check before each use for loose hardware, excessive wear, and signs of corrosion and repair before using • When installing or removing, keep hands and fingers away from pinch points • During play, do not wear jewelry (rings, watches, necklaces, etc.) • Check mounting structure before each use to ensure it is secure and rigid • Before and during use, ensure thumb screws are tight to prevent any excessive vibrations • Before and during use, check the tether assembly for any damage or excessive wear • The failure to check the integrity of the tether assembly could result in unsafe use

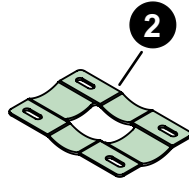
4L-8867-00

PARTS LIST (NOT ACTUAL SIZE)

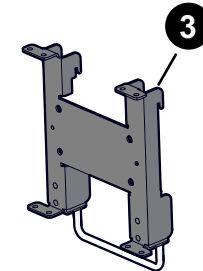


BASE PLATE
2S-9446-00
QTY. 1

(Pre-installed on 1A-8003-00)

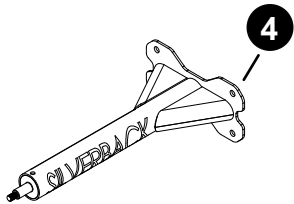


CLAMP PLATE
2S-9488-00
QTY. 1

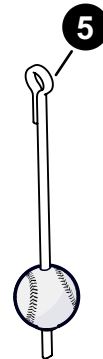


MOUNTING BRACKET
1A-8003-00
QTY. 1

(Pre-installed on 1A-8003-00)

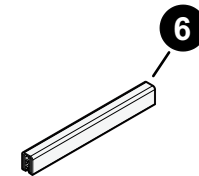


ARM ASSEMBLY
1A-8004-00
QTY. 1.



TETHER ASSEMBLY
4A-8674-00
QTY. 1

(Pre-installed on 1A-8004-00)



HEAVY DUTY EDGE GUARD
3M-9157-00
QTY. 2

(Pre-installed on 2S-9446-00)

MOUNTING HARDWARE LIST (ACTUAL SIZE)

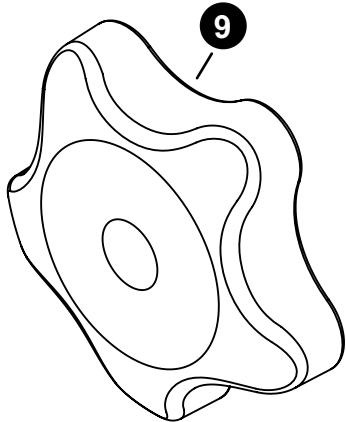


M8 X 1.25mm X **215mm** CARRIAGE BOLT
for poles 4"-6"
1B-7259-00
QTY. **4**

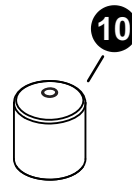
Note: Use **165mm** carriage bolts **#8** for poles up to 4" & **215mm** carriage bolt **#7** for poles 4"-6".



M8 X 1.25mm X **165mm** CARRIAGE BOLT
for poles up to 4"
1B-7258-00
QTY. **4**

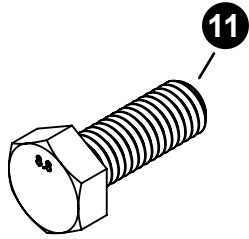


KNOB, M8 X 1.25mm, 5 LOBE
2Q-6475-00
QTY. **4**



THREAD CAP
3M-9093-00
QTY. **4**

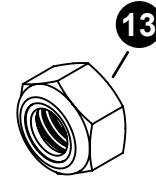
ASSEMBLY HARDWARE LIST (ACTUAL SIZE)



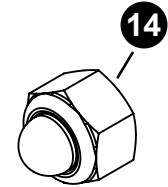
M8 X 1.25mm X 22MM BOLT
1B-7241-00
QTY. 4



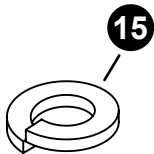
M8 FLAT WASHER
2B-6849-00
QTY. 8



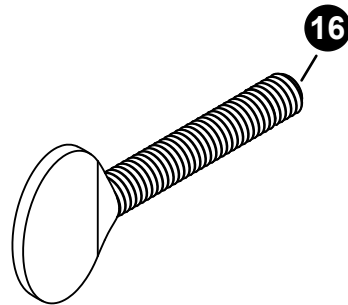
M8 X 1.25mm LOCKNUT
2B-6850-00
QTY. 4



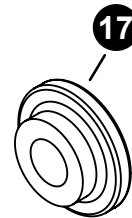
M8-1.25 Nylon-Insert Cap Locknut
2B-6852-00
QTY. 1
(Pre-installed on 1A-8004-00)



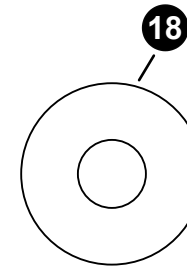
M8 LOCK WASHER
2B-6851-00
QTY. 1
(Pre-installed on 1A-8004-00)



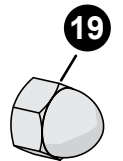
M6 X 1mm X 30mm THUMB SCREW
1B-7242-00
QTY. 2



TETHER BEARING
2M-6929-00
QTY. 2
(Pre-installed on 1A-8004-00)



M8 -9mmID X 24mmOD
FLAT WASHER
2B-6853-00
QTY. 1
(Pre-installed on 1A-8004-00)



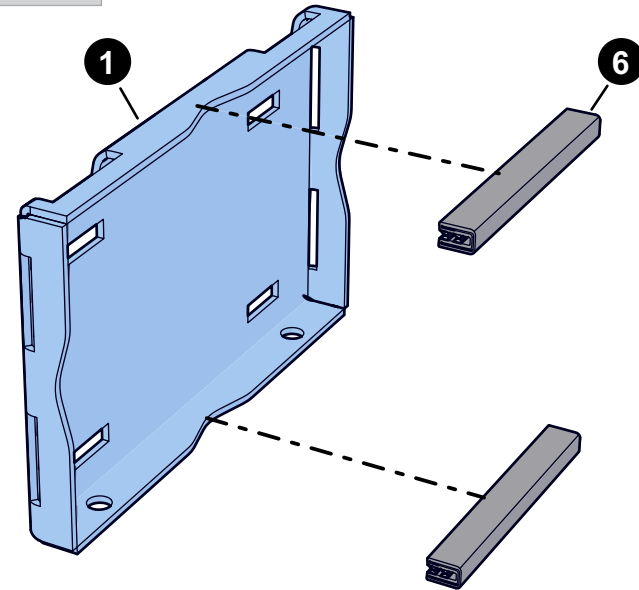
Threaded Cap
2B-6854-00
QTY. 2

Before starting the assembly, slide on the Heavy Duty Edge Guards (#6) to the Base Plate (#1). See **Detail A** & **Detail B**.

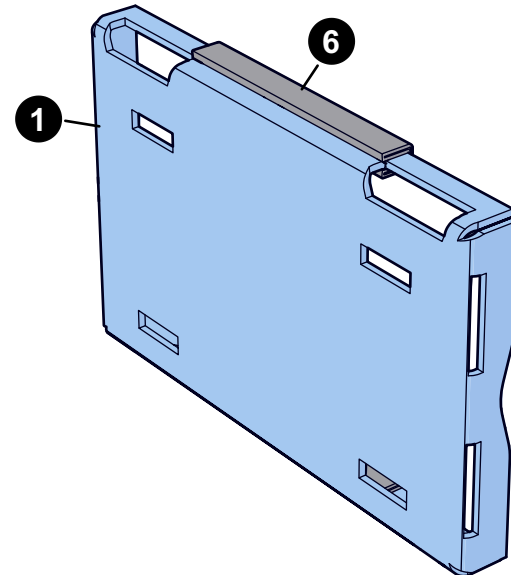
NOTE:

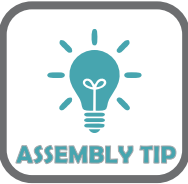
Make sure Edge Guards are centered on Base Plate. See **Detail B**.

DETAIL A



DETAIL B





You can attach the Swing Trainer to round poles and square poles up to 4" with the 165mm Carriage bolt as shown below. To install on a basketball pole that is 4"-6" use the 215mm Carriage Bolts.

NOTE:
Adult assembly required.

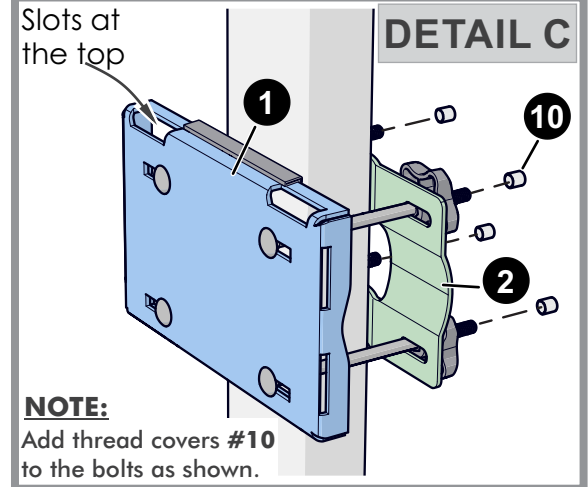
CAUTION:
ONLY ADULTS SHOULD SET UP THE PRODUCT.
DO NOT ALLOW CHILDREN IN THE SETUP AREA
UNTIL ASSEMBLY IS COMPLETE.

STEP 1

Mount Base plate (#1) and Clamp Plate (#2) as shown in **Detail A**, **Detail B** & **Detail C**. To install on a round pole follow **Detail A** & **Detail C**.

NOTE:

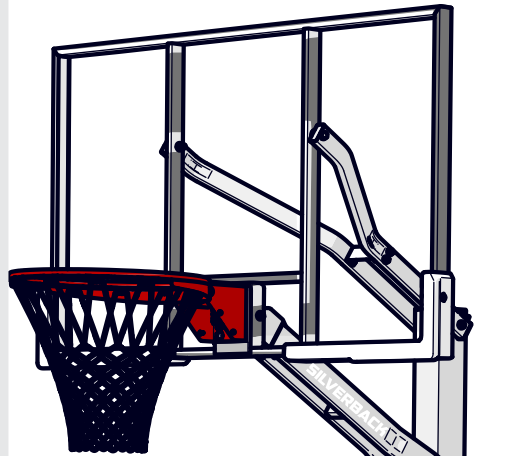
If needed remove the Actuator handle on the existing basketball system before attaching Base Plate.



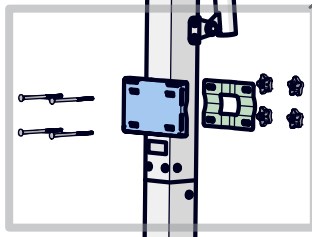
NOTE:
Add thread covers #10 to the bolts as shown.

NOTE:

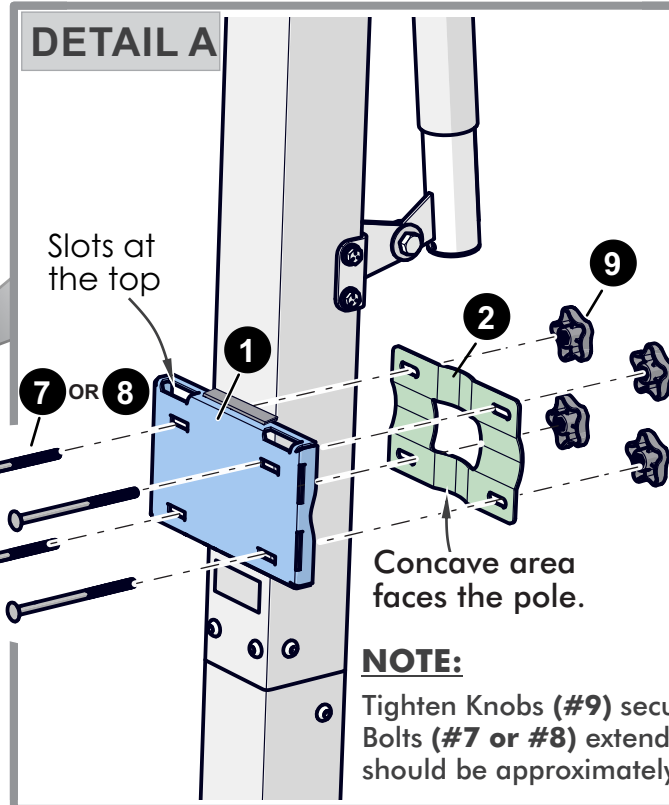
Make sure to orient the slots at the top of the base plate.



*Basketball system shown for illustration purposes only.

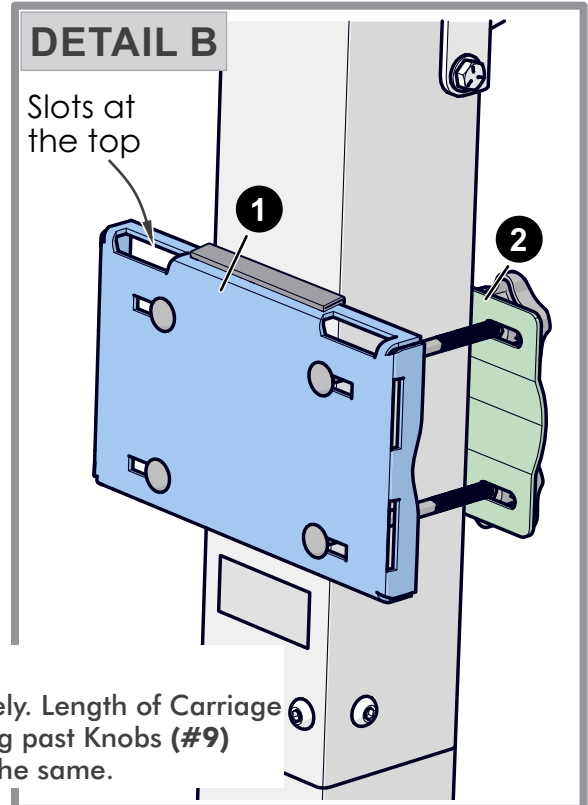


CAUTION:
A SOLID MOUNTING SURFACE, CAPABLE OF WITHSTANDING NORMAL RECREATIONAL USE FORCES, MUST BE PROVIDED BY THE CUSTOMER.



NOTE:

Tighten Knobs (#9) securely. Length of Carriage Bolts (#7 or #8) extending past Knobs (#9) should be approximately the same.



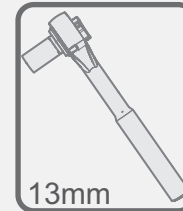
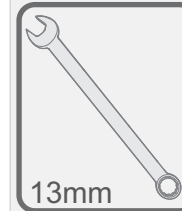
STEP 2

Attach Arm (#4) and Tether (#5) to Mounting Bracket (#3) as shown in **Detail A & Detail B**.

NOTE:

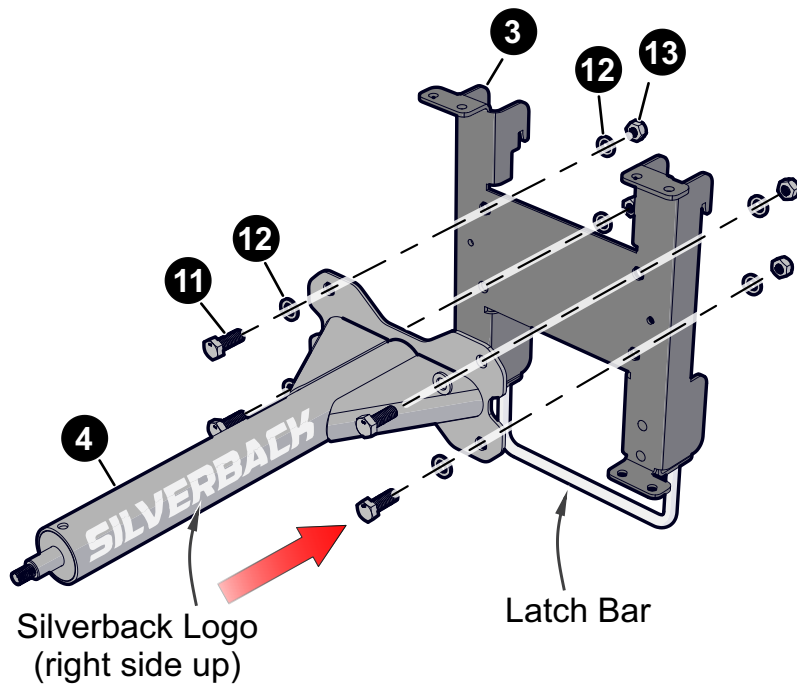
Make sure the **"Silverback"** logo is right side up on Arm (#4) when attaching it on the Mounting Bracket.

TOOLS NEEDED



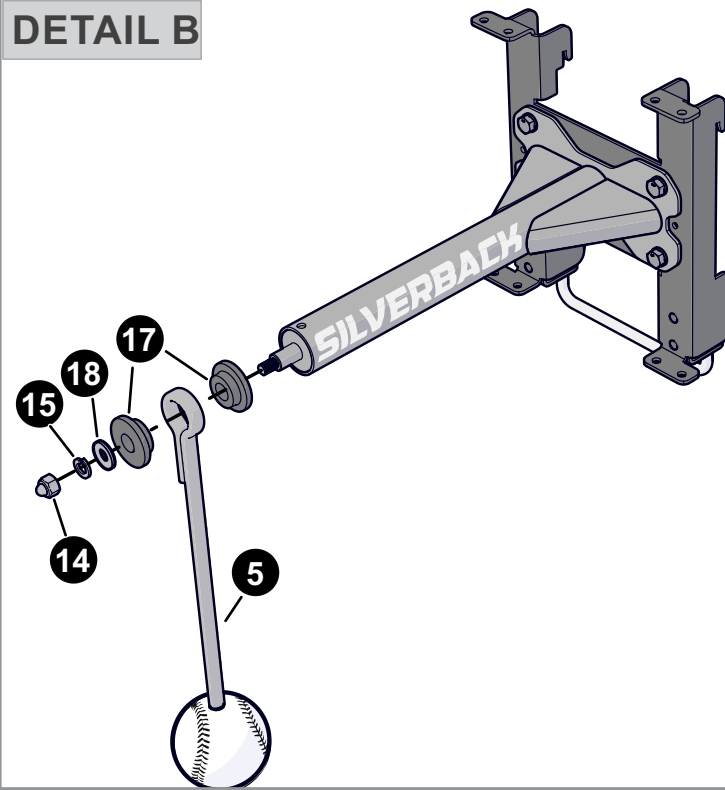
A. Attach Arm to Mounting Bracket See **Detail A**.

DETAIL A



B. Attach tether assembly to Arm. See **Detail B**.

DETAIL B



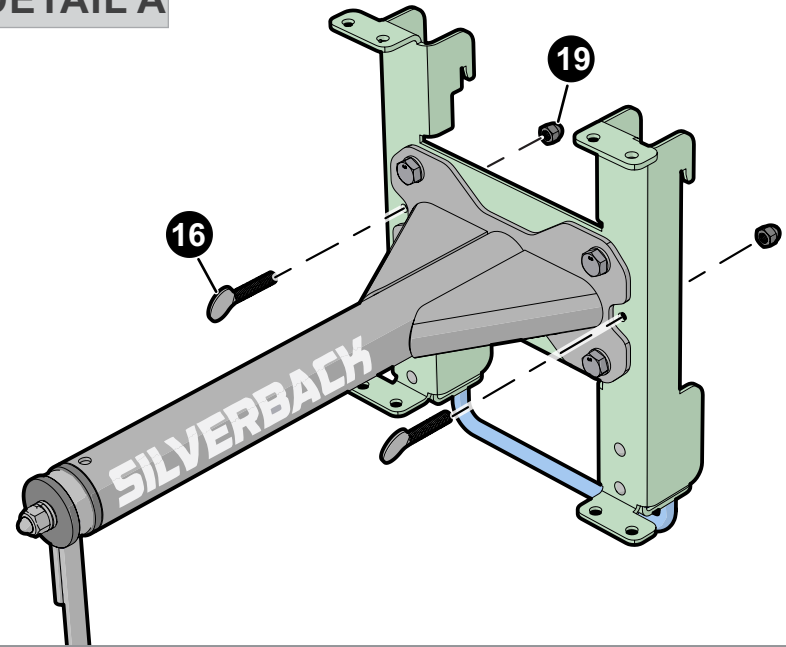
STEP 3

Install Thumb Screws (#16) onto the Mounting Bracket as shown in **Detail A**. Then screw on the Threaded caps (#19) on the Thumb Screws as shown in **Detail B**.

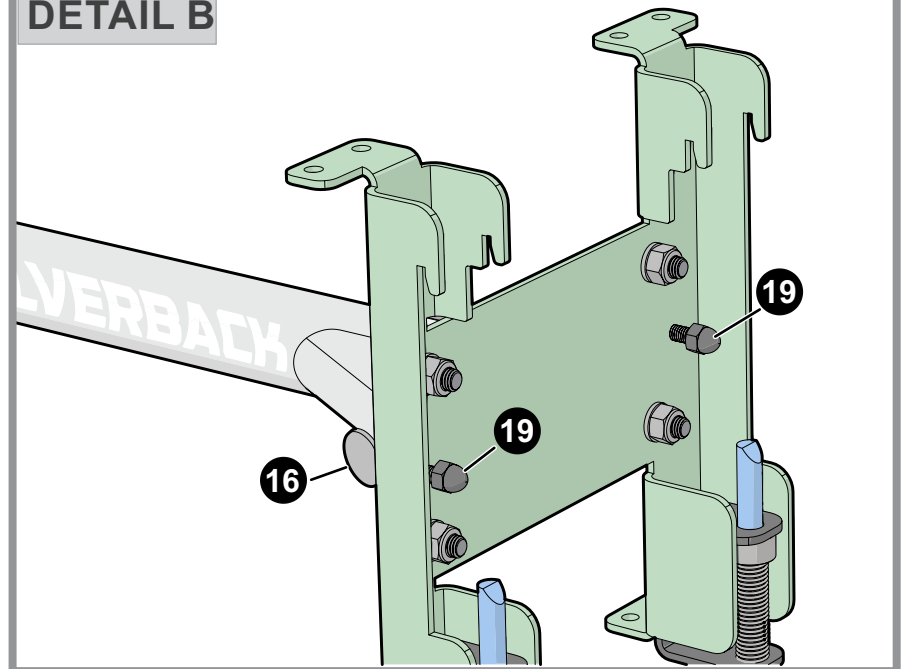
NOTE:

DO NOT use any tools to tighten the Threaded Caps (#19) onto the Thumb Screws (#16). Hand-tighten only.

DETAIL A



DETAIL B

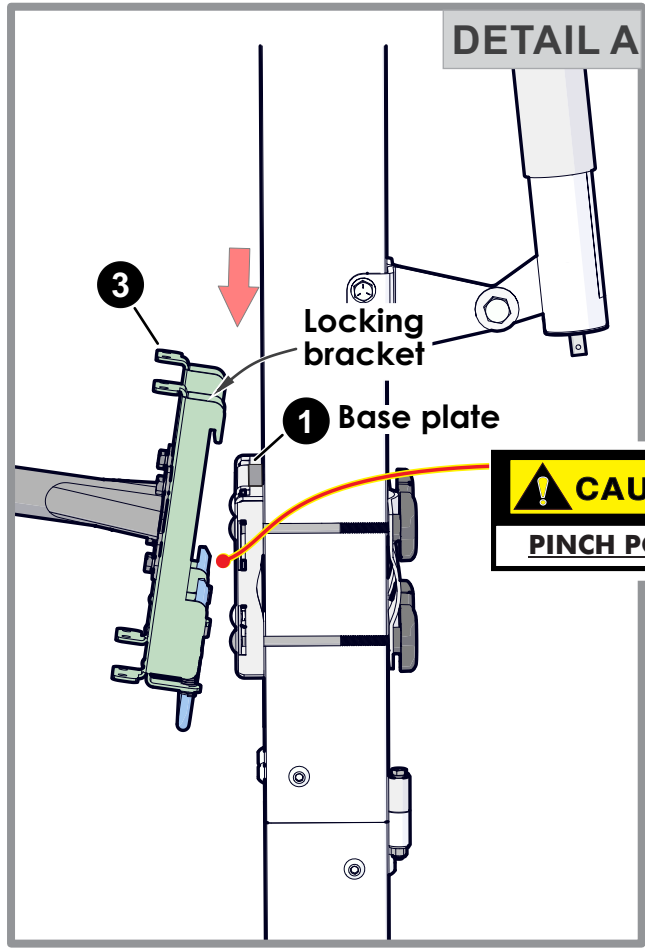


STEP 4

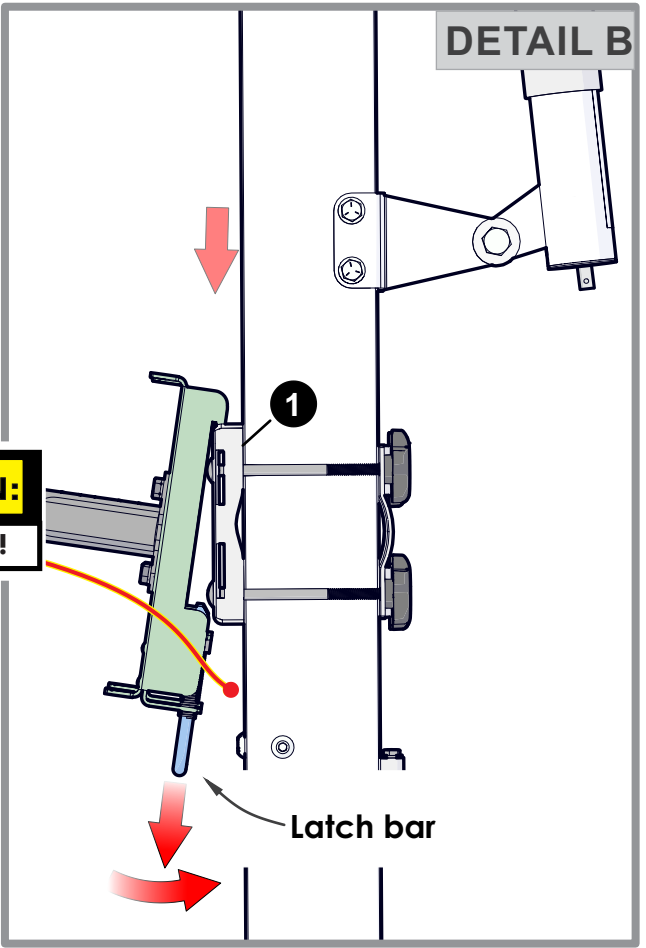
Mount Swing Trainer assembly to bracket as shown in **Detail A-C**.

CAUTION:
PINCH POINTS! DO NOT
place your hand between
the **base plate & locking**
bracket and between the
latch bar & base plate.

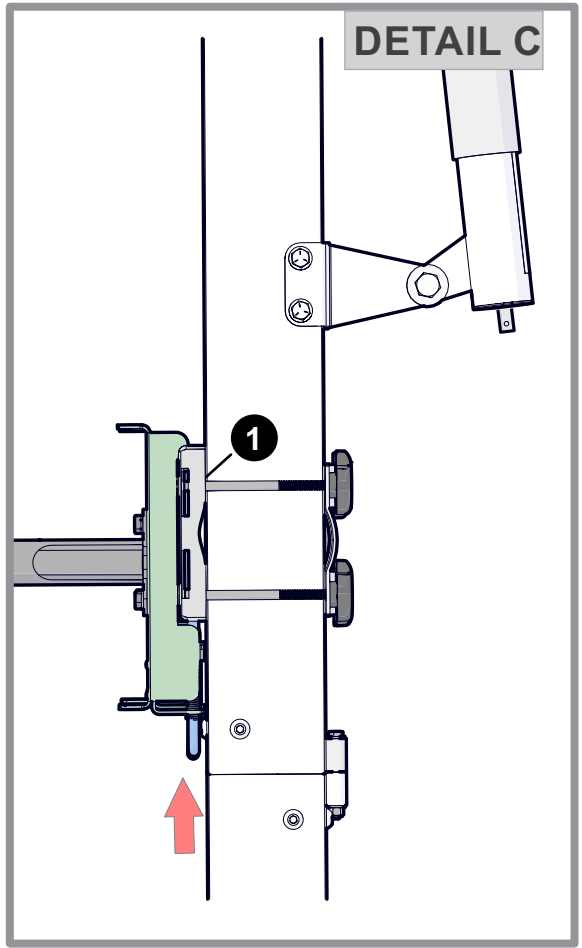
A. Mount Swing Trainer assembly to the top slots of the Base Plate (#1).



B. Pull down and hold the latch bar then pivot the unit until it is flush to the Base Plate (#1).



C. Release the Latch bar slowly until the latch bar ends are inserted in the Base Plate (#1).

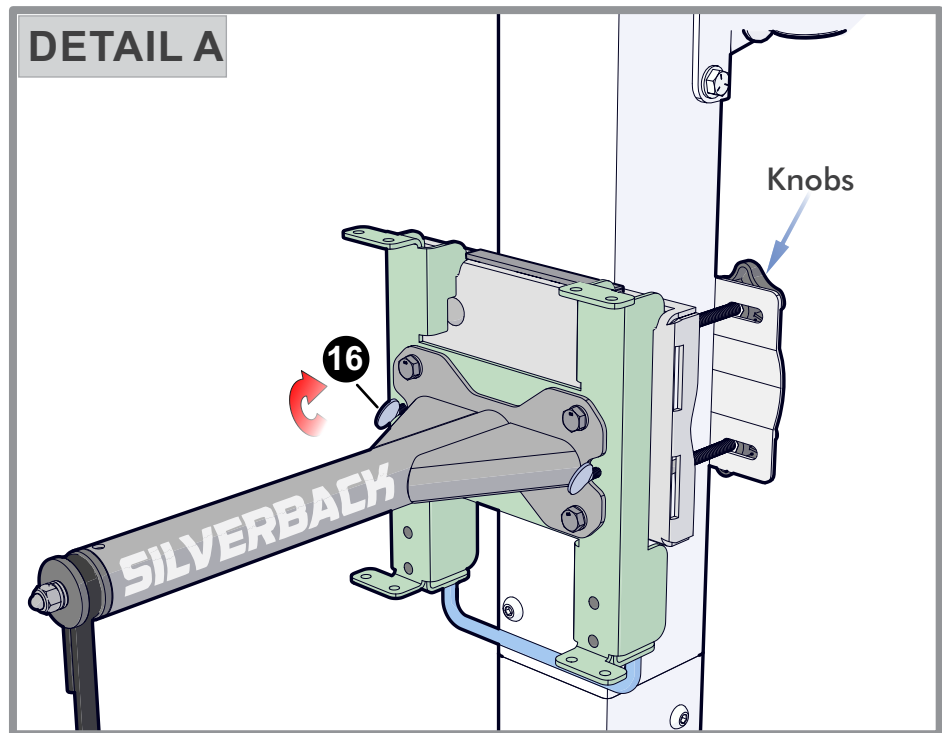


STEP 5

Tighten thumb screws before and during play to eliminate any vibration/rattle. See **Detail A**.

NOTE:

Before each use tighten/snug mounting hardware knobs and thumb screws. See **Detail A**.



LIMITED 1 YEAR WARRANTY

This consumer warranty extends to the original consumer purchase of any Escalade® Sports Product (hereinafter referred to as the "Product").

WARRANTY COVERAGE: Escalade® Sports warrants to the original Consumer Purchaser that any Product of its manufacture is free from defects in material and workmanship. THIS WARRANTY IS VOID IF THE PRODUCT HAS BEEN DAMAGED BY ACCIDENT, UNREASONABLE USE, NEGLIGENCE, IMPROPER SERVICE, FAILURE TO FOLLOW INSTRUCTIONS PROVIDED WITH THE PRODUCT OR OTHER CAUSES NOT ARISING OUT OF DEFECTS IN MATERIAL OR WORKMANSHIP.

Subject to proper installation and normal Residential use, Escalade® Sports warrants, subject to the limitations below, to the original retail purchaser all structural components of the Silverback® System to be free of defects in material and workmanship for a period of one (1) year from the original purchase.

Merchandise must be shipped prepaid with a copy of proof of purchase to Escalade® Sports factory for examination to determine if the system needs to be repaired or replaced. Any labor costs, travel expenses and any other changes involved in the removal, installation or replacement of the defective/repared parts from/to your Silverback® System will be the purchaser's responsibility. Shipping charges for replaced or warranted merchandise sent back to the customer from Escalade® Sports factory must be prepaid by the customer in advance. If not, the replacement shipment will be sent out collect.

Escalade® Sports reserves the right to examine photographs or physical evidence of merchandise claimed to be defective, and to recover said merchandise, prior to authorization of warranty claims. A "Returned Goods Authorization" number may be required, please call for details prior to the return of any photographs or merchandise.

This limited 1 year warranty is expressly in lieu of all warranties, expressed or implied, including warranties of merchantability or fitness for use. Escalade® Sports does not assume or authorize any person or representative to assume for us, any other liability in connection with the sale of our products.

The remedy of repair or replacement stated above is Escalade® Sports exclusive remedy. Escalade® Sports will not be liable for any other damages or expenses which may incur, including but not limited to incidental or consequential damages. Escalade® Sports assumes no other obligations or liability on the part of the purchaser, and Escalade® Sports neither assumes nor authorizes any other person to assume for it any other liability in connection with the goods sold.

This warranty shall not apply in any manner to parts or accessories not manufactured by Escalade® Sports.

NOT COVERED BY THIS WARRANTY

- Merchandise not intended to be in places of public assembly, such as, but not limited to, schools, parks, public or private recreational facilities.
- Any merchandise subjected to Non-residential abuse, negligence, improper installation, vandalism, acts of God, alteration of product, or any other events beyond the control of Escalade® Sports.
- HANGING ON THIS PRODUCT WILL VOID THE WARRANTY: Product is not warranted for any defects other than workmanship.
- Shipping charges both ways. Note: Any merchandise shipped to Escalade® Sports collect will be refused.
- Dealer service charges, labor charges and travel expenses associated with replacement of repair of warranty item.

WARRANTY DISCLAIMERS: ANY IMPLIED WARRANTIES ARISING OUT OF THIS SALE, INCLUDING BUT NOT LIMITED TO THE IMPLIED WARRANTIES OF MERCHANTABILITY AND FITNESS FOR A PARTICULAR PURPOSE, ARE LIMITED IN DURATION. ESCALADE® SPORTS SHALL NOT BE LIABLE FOR LOSS OF USE OF THE PRODUCT OR OTHER CONSEQUENTIAL OR INCIDENTAL COSTS. EXPENSES OR DAMAGES INCURRED BY THE CONSUMER OF ANY OTHER USE.

Some states do not allow the exclusion or limitation of implied warranties or consequential or incidental damages, so the above limitations or exclusions may not apply to you.

LEGAL REMEDIES: This warranty gives you specific legal rights, and you may also have other rights which may vary from state to state.

WARRANTY GUIDELINES IS REQUIRED FOR ALL WARRANTY CLAIMS

1. Proof of Purchase (original retail purchaser) is required for all warranty claims.
2. Call or write Escalade® Sports to receive a Return Authorization # and determine specific needs.
Phone: 1-888-USA-GOAL / Warranty Dept.
Or Write Escalade® Sports at: Escalade® Sports - P.O. Box 889, Evansville, IN 47706 - Attn: Warranty Dept.
Or E-mail us at: basketball@escaladesports.com