



MANUFACTURED BY:  
**Backyard Discovery**  
3305 Airport Drive, Pittsburg, KS 66762  
800-856-4445

Basepoint Business Centre: Rivermead Drive, Westlea, Swindon SN5 7EX Phone: 0800-118-2476 J.P. Coenstraat 7,  
The Bridge, The Hague, 2595 WP, Netherlands

# SKYFORT

## Swing Set

Model # 2106031B, 2300071, & 2300330



**WARNING**

**Adult Assembly Required.**

Not suitable for children under 36 months due to small parts.

**FOR DOMESTIC USE ONLY. INTENDED FOR OUTDOOR USE.**



**Please visit [www.backyarddiscovery.com](http://www.backyarddiscovery.com)**

For the most up to date assembly manual, to register your set, or to order replacement parts

*Para obtener instrucciones en español, visite [www.backyarddiscovery.com](http://www.backyarddiscovery.com)*



**EASY STEP-BY-STEP**  
**3D INTERACTIVE INSTRUCTIONS**  
DOWNLOAD THE FREE APP



Made in China

INS-2106031B, 2300071, & 2300330-SKYFORT-ENG 10-3-2023



Place the set on level ground, not less than 6'-7" [2 m] from any structure or obstruction such as a fence, garage, house, overhanging branches, laundry lines, or electrical wires.

- While assembling unit, take time before and after each phase to make sure fort is level. If fort is not level, assembly will be difficult and improper assembly may result. Extra care must be taken to insure the fort is square.
- The safe play area refers to a zone extending 6'-7" (2 m) beyond the play product on all sides, including the space above the play product.

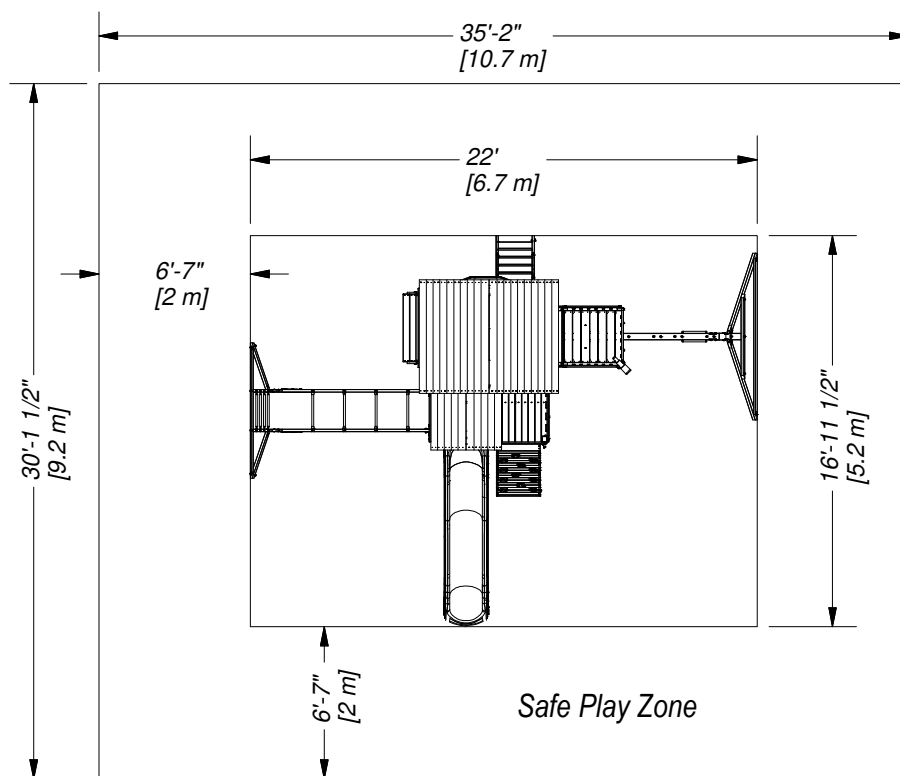
## SAFE PLAY AREA DIAGRAM

### Ground Dimension

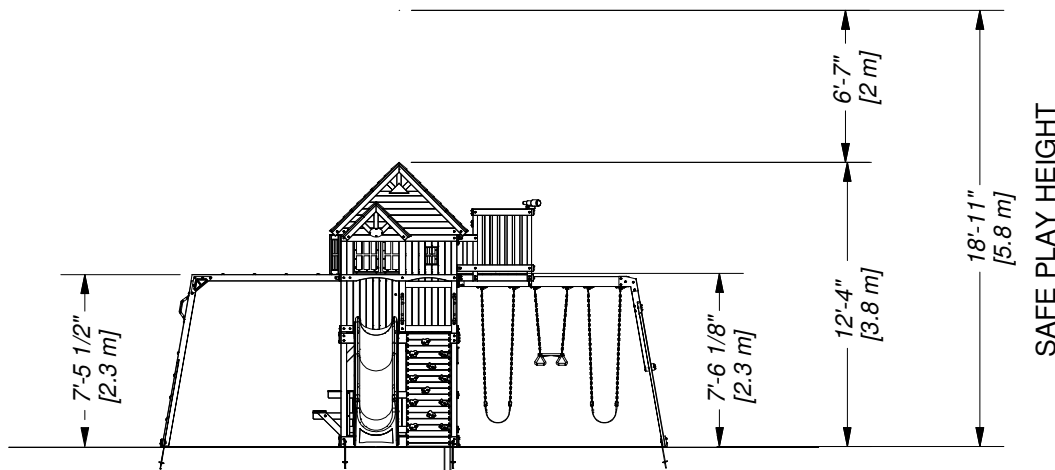
22'-0" [6.7 m] x 16'-11 1/2" [5.2 m]

### Safe Play Area

35'-2" [10.7 m] x 30'-1 1/2" [9.2 m] x 18'-11" [5.8 m]



SAFE PLAY HEIGHT: 18'-11" [5.8 m]  
MAXIMUM FALL HEIGHT: 7'-5 1/2" [2.3 m]



### General Information:

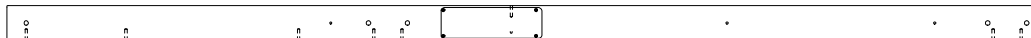
Your set has been designed and engineered for children only and for residential use only.  
 A maximum of 150 lbs. per child is recommended for play activities designed for individual use.  
 A maximum of 120 lbs. per child is recommended for play activities designed for multiple child use.  
 A maximum of 9 children is recommended for this swing set.



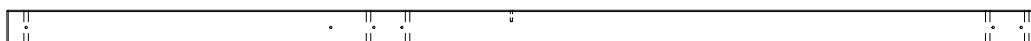
Wood Components (Not to Scale)



**A1 | SWING BEAM - W4L15713**  
(x1) | 3 3/8"x5 1/4"x89 1/2" (86x134x2274)



**B1 | TOWER LEG - W2A03275**  
(x1) | 3"x3"x89 1/2" (76x76x2274)



**B2 | TOWER LEG - W4L15731**  
(x1) | 3"x3"x89 1/2" (76x76x2274)



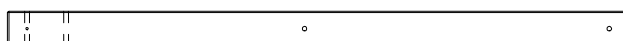
**B3 | TOWER LEG - W4L12682**  
(x1) | 3"x3"x59" (76x76x1500)



**B4 | TOWER LEG - W4L12683**  
(x1) | 3"x3"x59" (76x76x1500)



**B5 | BACK LEFT CLUB HOUSE CORNER - W4L14722**  
(x1) | 3"x3"x53 7/8" (76x76x1370)



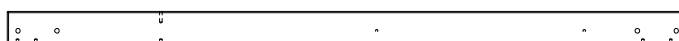
**B6 | FRONT LEFT CLUB HOUSE CORNER - W4L14723**  
(x1) | 3"x3"x53 7/8" (76x76x1370)



**B7 | FRONT RIGHT FORT CORNER - W4L12686**  
(x1) | 3"x3"x53 7/8" (76x76x1370)



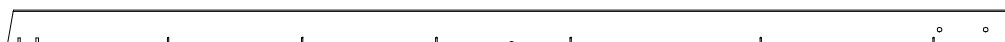
**B8 | BACK RIGHT FORT CORNER - W4L12687**  
(x1) | 3"x3"x53 7/8" (76x76x1370)



**E1 | TOWER LEG - W4L12688**  
(x1) | 1 3/8"x3 3/8"x59" (36x86x1500)



**E2 | TOWER LEG - W4L14727**  
(x1) | 1 3/8"x3 3/8"x59" (36x86x1500)



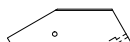
**E3 | MONKEY BAR UPRIGHT - W4L08127**  
(x2) | 1 3/8"x3 3/8"x87 5/8" (36x86x2226)



**E04 | ANGLE BRACE - W4L15649**  
(x2) | 1 3/8"x3 3/8"x87 1/8" (36x86x2212)



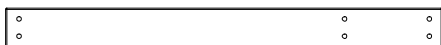
**E05 | DECK BRACE - W4L15452**  
(x8) | 1 7/16"x3 3/8"x17 11/16" (36x86x450)



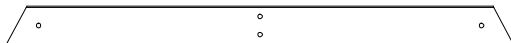
**E06 | CROWS NEST DECK BRACE - W4L15451**  
(x2) | 1 7/16"x3 3/8"x10 7/8" (36x86x276)



Wood Components (Not to Scale)



**E07** | CROWS NEST FLOOR RAIL - W4L15712  
(x2) | 1 3/8"x3 3/8"x38" (36x86x964)



**E50** | END SUPPORT - W4L15651  
(x1) | 1 3/8"x3 3/8"x44 1/8" (36x86x1120)



**E72** | ROCKWALL RAIL - W4L15490  
(x2) | 1 3/8"x3 3/8"x64 5/8" (36x86x1640)



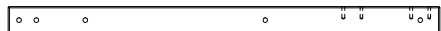
**E74** | MONKEY BAR RAIL - W4L15732  
(x2) | 1 3/8"x3 3/8"x77 1/8" (36x86x1959)



**E77** | LEFT UPRIGHT - W4L14734  
(x1) | 1 3/8"x3 3/8"x64 3/8" (36x86x1634)



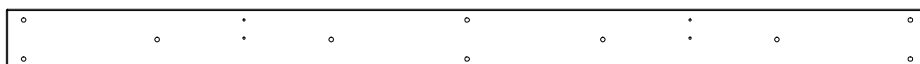
**E78** | RIGHT UPRIGHT - W4L14735  
(x1) | 1 3/8"x3 3/8"x64 3/8" (36x86x1634)



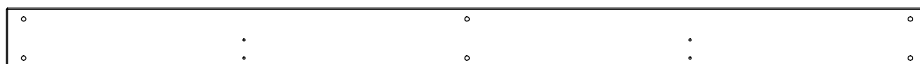
**F2** | CROWS NEST WALL SUPPORT - W4L14738  
(x2) | 1 3/8"x2 3/8"x37 1/2" (36x60x952)



**F3** | CROWS NEST WALL SUPPORT - W4L14739  
(x2) | 1 3/8"x2 3/8"x37 1/2" (36x60x952)



**G1** | TOP FLOOR RAIL - W4L14740  
(x1) | 1"x5 1/4"x80" (24x134x2032)



**G2** | TOP FLOOR RAIL - W4L14741  
(x1) | 1"x5 1/4"x80" (24x134x2032)



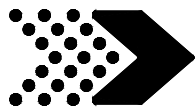
**G3** | FLOOR RAIL - W4L16849  
(x1) | 1"x5 1/4"x60 1/2" (24x134x1537)



**G4** | FLOOR RAIL - W4L14743  
(x1) | 1"x5 1/4"x60 1/2" (24x134x1537)



**G5** | BAY WINDOW HEADER - W4L14744  
(x4) | 1"x5 1/4"x45 1/4" (24x134x1150)



Wood Components (Not to Scale)



**G6 | FLOOR RAIL - W4L14745**  
(x1) | 1"x5 1/4"x60 1/2" (24x134x1537)



**G7 | BOTTOM FLOOR RAIL - W4L14746**  
(x2) | 1"x5 1/4"x80" (24x134x2032)



**G08 | GROUND BOARD - W4L15652**  
(x1) | 1"x5 1/4"x86 3/4" (24x134x2202)



**H1 | WALL RAIL - W4L14748**  
(x1) | 1"x3 3/8"x80" (24x86x2032)



**H2 | WALL RAIL - W4L12707**  
(x1) | 1"x3 3/8"x80" (24x86x2032)



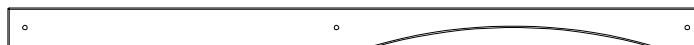
**H3 | PICNIC TABLE RAIL - W4L14750**  
(x1) | 1"x3 3/8"x67 1/4" (24x86x1708)



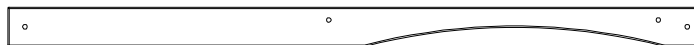
**H4 | ROOF SUPPORT RAIL - W4L14751**  
(x2) | 1"x3 3/8"x67 1/4" (24x86x1709)



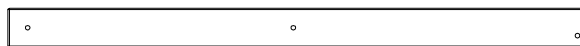
**H5 | FLOOR RAIL - W4L14752**  
(x1) | 1"x3 3/8"x60 1/2" (24x86x1537)



**H6 | BACK CLUB HOUSE RAIL - W4L14753**  
(x1) | 1"x3 3/8"x60 1/2" (24x86x1537)



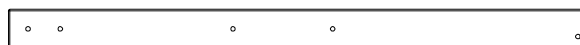
**H7 | FRONT CLUB HOUSE WALL RAIL - W4L14754**  
(x1) | 1"x3 3/8"x60 1/2" (24x86x1537)



**H8 | FORT UPRIGHT - W4L12713**  
(x1) | 1"x3 3/8"x50 1/2" (24x86x1284)



**H9 | FORT WALL BOARD - W4L12714**  
(x2) | 1"x3 3/8"x50 1/2" (24x86x1284)



**H10 | PORCH LEG - W4L14757**  
(x1) | 1"x3 3/8"x50 1/2" (24x86x1282)



**H11 | PORCH LEG - W4L14758**  
(x1) | 1"x3 3/8"x50 1/2" (24x86x1282)



Wood Components (Not to Scale)



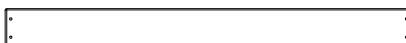
**H12** | ROOF RAFTER - W4L14759  
(x4) | 1"x3 3/8"x50 3/8" (24x86x1278)



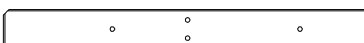
**H13** | CLUB HOUSE WALL RAIL - W4L14760  
(x1) | 1"x3 3/8"x50 1/4" (24x86x1277)



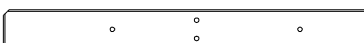
**H14** | SWING BEAM MOUNT - W4L12719  
(x1) | 1"x3 3/8"x50 1/4" (24x86x1277)



**H15** | PICNIC TABLE SEAT - W4L14762  
(x4) | 1"x3 3/8"x35 3/8" (24x86x897)



**H16** | PICNIC TABLE SEAT RAIL - W4L14763  
(x1) | 1"x3 3/8"x32" (24x86x812)



**H17** | PICNIC TABLE SEAT RAIL - W4L14764  
(x1) | 1"x3 3/8"x32" (24x86x812)



**H18** | CLUB HOUSE WALL RAIL - W4L14765  
(x1) | 1"x3 3/8"x29 7/8" (24x86x758)



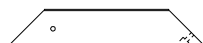
**H19** | CROWS NEST FLOOR RAIL - W4L14766  
(x1) | 1"x3 3/8"x27" (24x86x686)



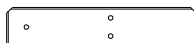
**H20** | PORCH ROOF RAFTER - W4L14767  
(x4) | 1"x3 3/8"x24 1/2" (24x86x622)



**H21** | CROWS NEST FLOOR SUPPORT - W4L14768  
(x1) | 1"x3 3/8"x24 1/8" (24x86x614)



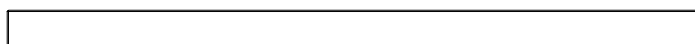
**H23** | PICNIC TABLE BRACE - W4L14769  
(x2) | 1"x3 3/8"x17 1/2" (24x86x444)



**H24** | PICNIC TABLE TOP SUPPORT - W4L14770  
(x1) | 1"x3 3/8"x16 1/2" (24x86x418)



**H25** | TOP FLOOR SUPPORT - W4L14771  
(x2) | 1"x3 3/8"x3" (24x86x76)



**H26** | FLOOR JOIST - W4L14772  
(x3) | 1"x3 3/8"x60 1/2" (24x86x1537)



Wood Components (Not to Scale)



**H27** | PICNIC TABLE SUPPORT - W4L14773  
(x1) | 1"x3 3/8"x28 5/8" (24x86x728)



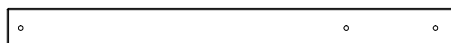
**H28** | FRONT WALL RAIL - W4L14774  
(x1) | 1"x3 3/8"x60 1/2" (24x86x1537)



**H29** | CROWS NEST WALL RAIL - W4L14775  
(x2) | 1"x3 3/8"x30 5/8" (24x86x778)



**H30** | CROWS NEST WALL RAIL - W4L14776  
(x2) | 1"x3 3/8"x29 7/8" (24x86x758)



**H31** | CROWS NEST WALL RAIL - W4L14777  
(x2) | 1"x3 3/8"x38 7/8" (24x86x988)



**H76** | LADDER RUNG - W4L14779  
(x5) | 1"x3 3/8"x18 1/8" (24x86x460)



**H77** | ATTACHMENT BOARD - W4L14780  
(x1) | 1"x3 3/8"x20 1/8" (24x86x512)



**H81** | MONKEY BAR BRACE - W4L15710  
(x2) | 1"x3 3/8"x51 5/8" (24x86x1311)



**H82** | MONKEY BAR GROUND BOARD - W4L15714  
(x1) | 1"x3 3/8"x70 3/8" (24x86x1786)



**K2** | FLOOR RAIL - W4L14783  
(x1) | 5/8"x5 1/4"x60 1/2" (16x134x1537)



**K3** | FLOOR RAIL - W4L14784  
(x1) | 5/8"x5 1/4"x60 1/2" (16x134x1537)



**K5** | CLUB HOUSE WALL RAIL - W4L14785  
(x1) | 5/8"x5 1/4"x50 1/4" (16x134x1277)



**K6** | TRIANGLE SUNBURST - W4L14786  
(x2) | 5/8"x5 1/4"x10 3/8" (16x134x265)



**L1** | CROWS NEST FLOOR BOARD - W4L14787  
(x7) | 5/8"x4 3/8"x27" (16x112x686)



**L2** | SAND BOX SEAT - W4L14788  
(x2) | 5/8"x4 3/8"x24" (16x112x610)



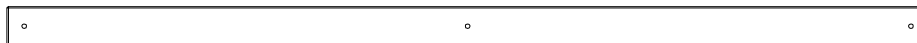
**L3** | CROWS NEST FLOOR BOARD - W4L15100  
(x2) | 5/8"x4 3/8"x27" (16x112x686)



Wood Components (Not to Scale)



**M1 | TOP WALL RAIL - W4L14789**  
(x1) | 5/8"x3 3/8"x80" (16x86x2032)



**M2 | BOTTOM WALL RAIL - W4L14790**  
(x2) | 5/8"x3 3/8"x80" (16x86x2032)



**M3 | BOTTOM WALL RAIL - W4L14791**  
(x1) | 5/8"x3 3/8"x60 1/2" (16x86x1537)



**M4 | CROWS NEST WALL RAIL - W4L14792**  
(x2) | 5/8"x3 3/8"x29 7/8" (16x86x758)



**M5 | GABLE BOARD - W4L14793**  
(x2) | 5/8"x3 3/8"x59 1/2" (16x86x1510)



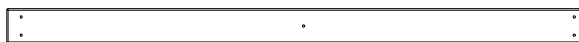
**M6 | CLUB HOUSE WALL BOARD - W4L14794**  
(x1) | 5/8"x3 3/8"x53 7/8" (16x86x1370)



**M7 | GABLE BOARD - W4L14795**  
(x2) | 5/8"x3 3/8"x52 5/8" (16x86x1338)



**M8 | FORT WALL BOARD - W4L12750**  
(x7) | 5/8"x3 3/8"x50 1/2" (16x86x1284)



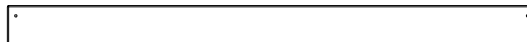
**M9 | FORT WALL BOARD - W4L12751**  
(x2) | 5/8"x3"x50 1/2" (16x76x1284)



**M10 | CLUB HOUSE WALL RAIL - W4L14798**  
(x1) | 5/8"x3 3/8"x50 1/4" (16x86x1277)



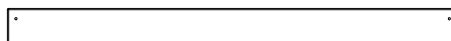
**M11 | SOFFIT CAP - W4L14799**  
(x1) | 5/8"x3 3/8"x50 1/4" (16x86x1277)



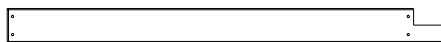
**M12 | GABLE BOARD - W4L14800**  
(x1) | 5/8"x3 3/8"x45 7/8" (16x86x1166)



**M13 | PICNIC TABLE TOP - W4L14801**  
(x4) | 5/8"x3 3/8"x41 1/4" (16x86x1049)



**M14 | GABLE BOARD - W4L14802**  
(x1) | 5/8"x3 3/8"x39 1/8" (16x86x994)



**M16 | CENTER PICNIC TABLE TOP - W4L14803**  
(x1) | 5/8"x3"x38 1/4" (16x76x973)



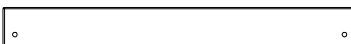
Wood Components (Not to Scale)



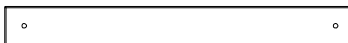
**M17** | FRONT WINDOW WALL BOARD - W4L12758  
(x2) | 5/8"x3 3/8"x35" (16x86x889)



**M18** | GABLE BOARD - W4L14805  
(x1) | 5/8"x3 3/8"x32 3/8" (16x86x822)



**M19** | FRONT PORCH ROOF SUPPORT - W4L14806  
(x1) | 5/8"x3 3/8"x30 5/8" (16x86x779)



**M21** | FORT WALL RAIL - W4L12761  
(x3) | 5/8"x3 3/8"x30 1/4" (16x86x768)



**M22** | FORT WALL BOARD - W4L12762  
(x4) | 5/8"x3 3/8"x29 7/8" (16x86x758)



**M23** | FORT WALL BOARD - W4L12763  
(x2) | 5/8"x3 1/8"x29 7/8" (16x80x758)



**M24** | WALL BOARD - W4L15625  
(x23) | 5/8"x3 3/8"x29 5/8" (16x86x752)



**M26** | WALL BOARD - W4L14811  
(x2) | 5/8"x3 3/8"x26 1/8" (16x86x664)



**M27** | BOTTOM WALL BOARD - W4L15711  
(x18) | 5/8"x3 3/8"x21 1/8" (16x86x538)



**M28** | GABLE WINDOW BOARD - W4L14813  
(x2) | 5/8"x3 3/8"x19 1/2" (16x86x496)



**M29** | GABLE WINDOW BOARD - W4L14814  
(x2) | 5/8"x3 3/8"x16 1/8" (16x86x410)



**M30** | PICNIC TABLE TOP CLEAT - W4L14815  
(x1) | 5/8"x3 3/8"x16" (16x86x406)



**M31** | GABLE WINDOW BOARD - W4L14816  
(x2) | 5/8"x3 3/8"x12 3/4" (16x86x324)



Wood Components (Not to Scale)



**M32** | CROWS NEST WALL RAIL - W4L14817  
(x2) | 5/8"x3 3/8"x10" (16x86x254)



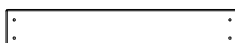
**M33** | FRONT WINDOW WALL BOARD - W4L12769  
(x2) | 5/8"x3 3/8"x6 3/8" (16x86x162)



**M34** | WALL RAIL - W4L14819  
(x1) | 5/8"x3 3/8"x6 3/8" (16x86x162)



**M61** | ATTACHMENT BOARD - W4L15629  
(x1) | 5/8"x3 3/8"x22 7/8" (16x86x580)



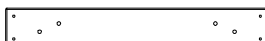
**M73** | REAR SUPPORT - W4L14821  
(x1) | 5/8"x3 3/8"x20 1/8" (16x86x512)



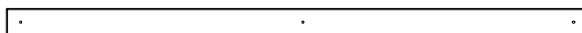
**M74** | ROCK WALL BOARD - W4L15631  
(x10) | 5/8"x3 3/8"x22 7/8" (16x86x580)



**M75** | ROCK WALL BOARD - W4L15632  
(x4) | 5/8"x3 3/8"x22 7/8" (16x86x580)



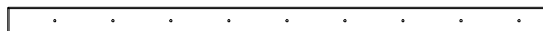
**M76** | ROCK WALL BOARD - W4L15633  
(x4) | 5/8"x3 3/8"x22 7/8" (16x86x580)



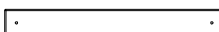
**N1** | FORT WALL BOARD - W4L12776  
(x2) | 5/8"x2 3/8"x50 1/2" (16x60x1284)



**N2** | SOFFIT CAP - W4L14826  
(x1) | 5/8"x2 3/8"x50 1/4" (16x60x1277)



**N3** | ROOF SUPPORT - W4L14827  
(x2) | 5/8"x2 3/8"x47" (16x60x1193)



**N4** | CROWS NEST WALL BOARD - W4L14828  
(x2) | 5/8"x2 3/8"x19" (16x60x483)



**N5** | FRONT PORCH GABLE TRIM - W4L14829  
(x1) | 5/8"x2 3/8"x15" (16x60x381)



**N6** | WINDOW TRIM - W4L14830  
(x2) | 5/8"x2 3/8"x12 1/4" (16x60x310)



Wood Components (Not to Scale)



**N07** | ROCK WALL BOARD - W4L15626  
(x1) | 5/8"x2"x22 7/8" (16x50x580)



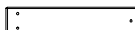
**N8** | FRONT PORCH GABLE TRIM - W4L14832  
(x2) | 5/8"x2 3/8"x9 1/2" (16x60x241)



**N9** | GABLE TRIM - W4L14833  
(x4) | 5/8"x2 3/8"x6 1/2" (16x60x165)



**N10** | GABLE BOARD - W4L14834  
(x2) | 5/8"x2 3/8"x27 5/8" (16x60x702)



**N11** | GABLE TRIM - W4L15716  
(x2) | 5/8"x2 3/8"x11 1/2" (16x60x292)



**O01** | CROWS NEST WALL BOARD - W4L15641  
(x18) | 5/8"x1 3/8"x32 1/4" (16x34x819)



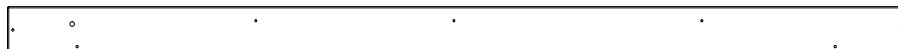
**O2** | SAFETY BOARD - W4L14836  
(x1) | 5/8"x1 3/8"x28 5/8" (16x34x726)



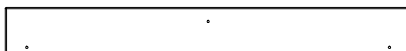
**O70** | SLIDE MOUNTING BOARD - W4L14837  
(x1) | 5/8"x1 3/8"x20 3/8" (16x34x517)



**SP1** | SWING BEAM SUPPORT - W4L15647  
(x1) | 3 3/8"x3 3/8"x48 3/8" (86x86x1229)



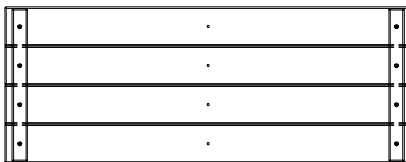
**Y1** | TOP FLOOR BOARD - W4L15730  
(x2) | 5/8"x4"x78" (16x102x1980)



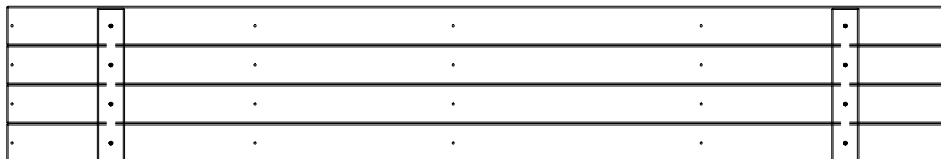
**Y2** | BOTTOM FLOOR BOARD - W4L14840  
(x2) | 5/8"x4"x35 1/4" (16x102x895)



**Y03** | ROCK WALL END BOARD - W4L15644  
(x1) | 5/8"x3 5/8"x22 7/8" (16x92x580)



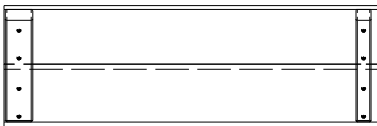
**FP1** | BOTTOM FLOOR PANEL - W2A03140  
(x4) | 1 5/8"x13 1/2"x35 3/8" (40x344x897)



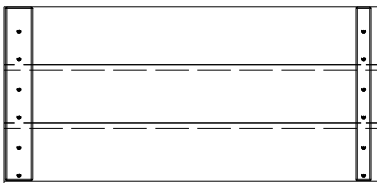
**FP2** | FLOOR PANEL - W2A03141  
(x4) | 1 1/4"x13 1/2"x81 7/8" (32x344x2080)



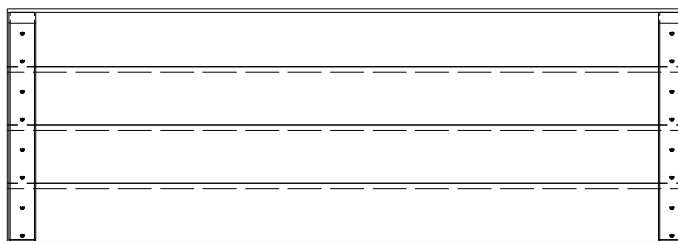
Wood Components (Not to Scale)



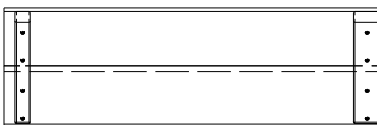
**RP1** | LEFT PORCH PEAK ROOF PANEL - W2A03142  
(x1) | 1 5/8"x10 1/2"x32 7/8" (42x268x834)



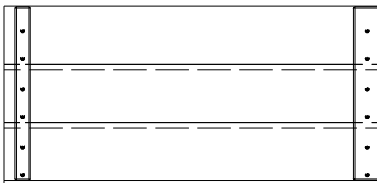
**RP2** | LEFT PORCH ROOF PANEL - W2A03143  
(x1) | 1 5/8"x15 5/8"x32 7/8" (42x396x834)



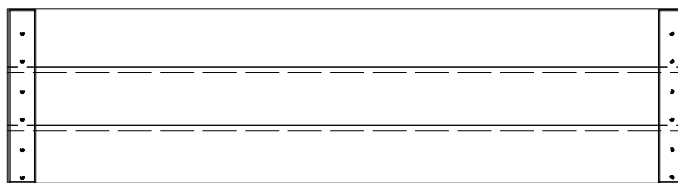
**RP3** | PEAK ROOF PANEL - W2A03144  
(x2) | 1 5/8"x20 5/8"x59" (42x524x1499)



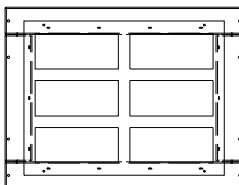
**RP4** | RIGHT PORCH PEAK ROOF PANEL - W2A03145  
(x1) | 1 5/8"x10 1/2"x32 7/8" (42x268x834)



**RP5** | RIGHT PORCH ROOF PANEL - W2A03146  
(x1) | 1 5/8"x15 5/8"x32 7/8" (42x396x834)



**RP6** | ROOF PANEL - W2A03147  
(x4) | 1 5/8"x15 5/8"x59" (42x396x1499)



**WP1** | BAY WINDOW PANEL - W2A03148  
(x6) | 7/8"x15 3/4"x20 3/4" (21x400x526)



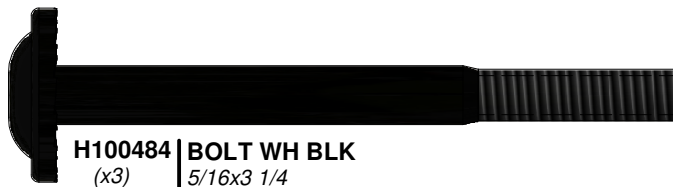
Hardware Components



H100415 | BOLT WH BLK  
(x34) | 5/16x3 3/4



H100503 | BOLT WH BLK  
(x4) | 5/16x3-1/2



H100484 | BOLT WH BLK  
(x3) | 5/16x3 1/4



H100416 | BOLT WH BLK  
(x10) | 5/16x3



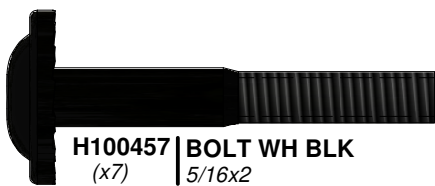
H100195 | BOLT WH BLK  
(x10) | 5/16x2-3/4



H100194 | BOLT WH BLK  
(x3) | 5/16x2 1/2



H100205 | BOLT WH BLK  
(x32) | 5/16x2-1/4



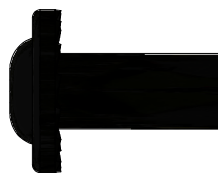
H100457 | BOLT WH BLK  
(x7) | 5/16x2



H100193 | NUT BARREL WH BLK  
(x2) | 5/16x1-1/2



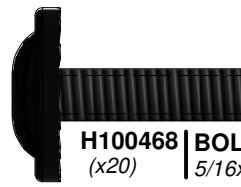
H100469 | NUT BARREL WH BLK  
(x2) | 5/16x5/8



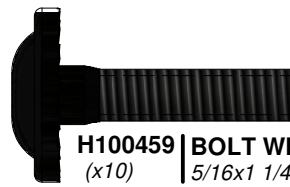
H100192 | NUT BARREL WH BLK  
(x36) | 5/16x7/8



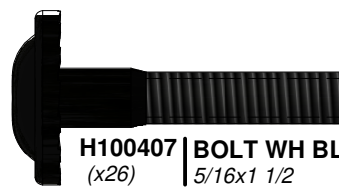
H100396 | BOLT WH BLK  
(x13) | 5/16x1/2



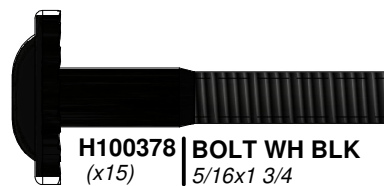
H100468 | BOLT WH BLK  
(x20) | 5/16x1



H100459 | BOLT WH BLK  
(x10) | 5/16x1 1/4



H100407 | BOLT WH BLK  
(x26) | 5/16x1 1/2



H100378 | BOLT WH BLK  
(x15) | 5/16x1 3/4



H100471 | LAG SCREW WH BLK  
(x7) | 5/16x1 1/2



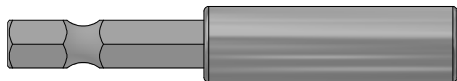
H100458 | LAG SCREW WH BLK  
(x46) | 5/16x2



H100197 | LAG SCREW WH BLK  
(x42) | 5/16x2 1/2



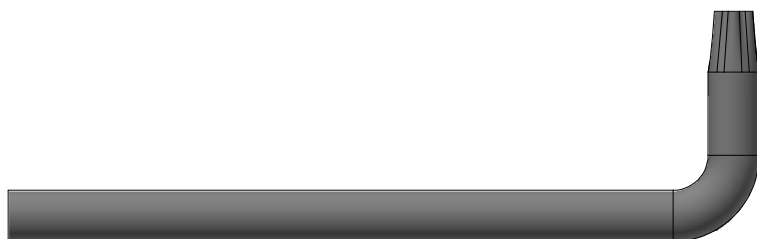
## Hardware Components



**H101100** | MAGNETIC DRIVER  
(x1)



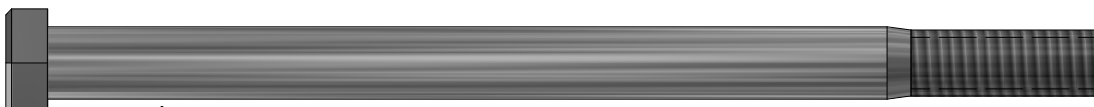
**H100764** | SCREW SETTER  
(x1)



**H100114** | TORX WRENCH  
(x2) | T-30



**H100147** | TORX BIT  
(x2) | T-30



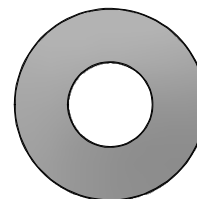
**H100654** | BOLT HEX  
(x13) | 3/8x5-1/2



**H100091** | SCREW PFH  
(x4) | 8X2 1/4



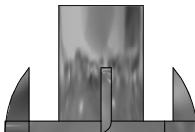
**H100072** | T-NUT  
(x26) | 1/4



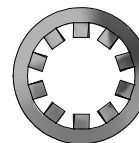
**H100102** | WASHER FLAT  
(x13) | 11x25



**H100111** | SCREW PFH  
(x17) | 8x2



**H100073** | T-NUT  
(x13) | 3/8



**H100107** | WASHER LOCK INT  
(x13) | 10x18



**H100089** | SCREW PFH  
(x4) | 8x1 3/4



**H100086** | SCREW PFH  
(x250) | 8x1 1/2



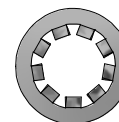
**H100087** | SCREW PFH  
(x4) | 8x1 1/4



**H100128** | SCREW PWH  
(x30) | 8x5/8



**H100063** | BOLT PTH  
(x26) | 1/4x3/4



**H100108** | WASHER LOCK INT  
(x26) | 8x15



**H100088** | SCREW PFH  
(x346) | 8x1 1/8



**H100070** | SCREW PWH  
(x9) | 8x3/4



## Hardware Components



**H100201** | SCREW PFH BLK  
(x17) | 8x2-1/2



**H100483** | SCREW PFH BLK  
(x30) | 8x2 1/4



**H100391** | SCREW PFH BLK  
(x72) | 8x2



**H100200** | SCREW PFH BLK  
(x82) | 8x1 1/2



**H100380** | SCREW PFH BLK  
(x63) | 8x1 1/8



**H100385** | SCREW PFH BLK  
(x9) | 8x1



**H100202** | SCREW PWH BLK  
(x2) | 8x5/8



**H100472** | BOLT HEX BLK  
(x2) | 5/16x2 3/4



**H100761** | BOLT HEX BLK  
(x4) | 5/16x2



**H100657** | BOLT HEX BLK  
(x4) | 5/16x1 3/4



**H100481** | BOLT HEX BLK  
(x4) | 5/16x1 1/4



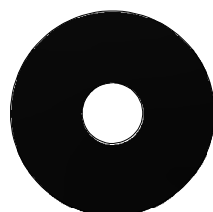
**H100659** | LAG SCREW BLK  
(x9) | 5/16x1 1/2



**H100479** | NUT LOCK BLK  
(x2) | 5/16



**H100379** | T-NUT BLK  
(x149) | 5/16



**H100478** | WASHER FLAT BLK  
(x24) | 8x27



**H100474** | WASHER FLAT BLK  
(x2) | 9x18



**H100477** | WASHER SPLIT BLK  
(x22) | 5/16



**H100473** | WASHER LOCK INT BLK  
(x2) | 8x15



**H100405** | WASHER LOCK EXT BLK  
(x13) | 6x15



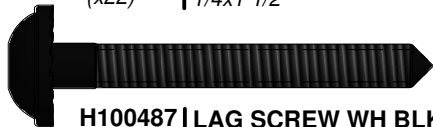
**H100198** | WASHER LOCK EXT BLK  
(x187) | 8x19



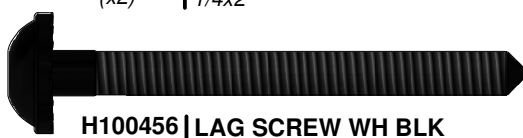
**H100199** | WASHER LOCK EXT BLK  
(x34) | 12x19



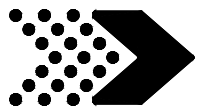
**H100403** | LAG SCREW WH BLK  
(x22) | 1/4x1 1/2



**H100487** | LAG SCREW WH BLK  
(x2) | 1/4x2



**H100456** | LAG SCREW WH BLK  
(x11) | 1/4x2 1/2



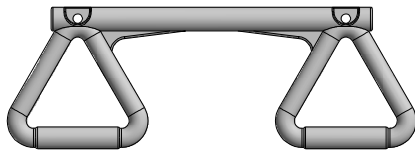
Accessory Components (Not to Scale)



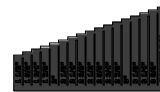
A100047 | CHAIN GREEN 57"  
(x4)



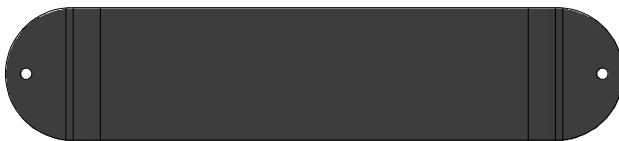
A100177 | CHAIN GREEN 31"  
(x2)



A6P00034 | TRAPEZE YELLOW  
(x1)



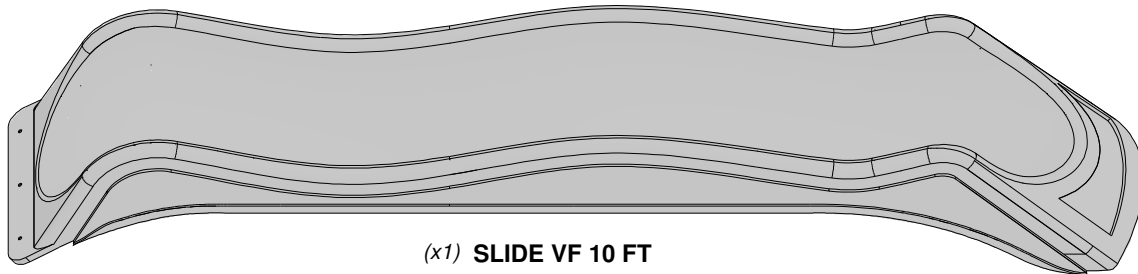
A6P00410 | PICKET PAL  
(x1)



A100027 | SWING SEAT GREEN 26"  
(x2)

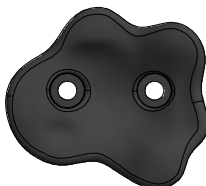


A100045 | METAL RUNG 559 GREEN  
(x8)



(x1) SLIDE VF 10 FT

10 FT VACUUM FORMED SLIDES		
PART NUMBER	COLOR	MODEL NUMBER
A100287	GREEN	2106031B
A6P00540	YELLOW	2300330
A6P00539	GREY	2300071



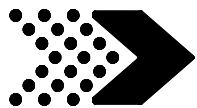
A6P00036 | GREEN HC ROCK #1  
(x6)



A6P00037 | GREEN HC ROCK #2  
(x6)



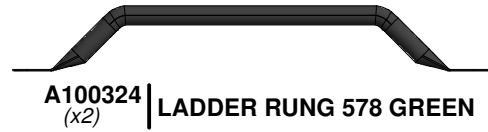
A100164 | BYD ID TAG  
(LARGE) AGES 3-10  
(x1)



## Accessory Components (Not to Scale)



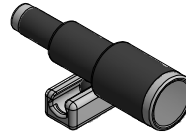
**A100134**  
*(x2)* | HAND GRIP GREEN 816 C/C



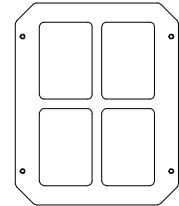
**A100324**  
*(x2)* | LADDER RUNG 578 GREEN



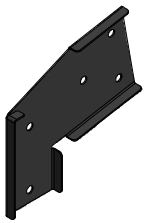
**A100118**  
*(x6)* | HAND GRIP METAL GREEN 381 c/c



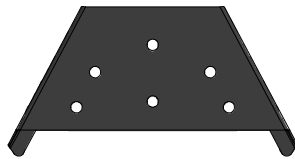
**A6P00096**  
*(x1)* | TELESCOPE



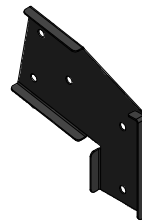
**A100014**  
*(x2)* | PLASTIC WINDOW WHITE



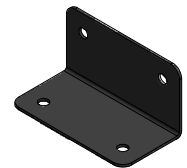
**A100325**  
*(x1)* | SWING BEAM  
EXTENSION  
BRACKET-LEFT



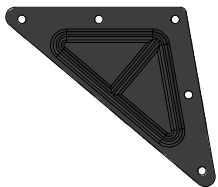
**A4M01169**  
*(x1)* | A-FRAME BRACKET



**A100326**  
*(x1)* | SWING BEAM  
EXTENSION  
BRACKET-RIGHT



**A100140**  
*(x2)* | L BRACKET  
66x66x127



**A100294**  
*(x2)* | TRIANGLE PLATE 100° 5 HOLE



**A100396**  
*(x4)* | L BRACKET 51x32x82x3.175



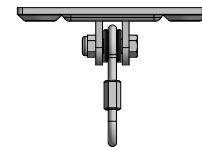
**A4M01046**  
*(x15)* | L BRACKET 2.5x38x55x55



**A100314**  
*(x1)* | "A" REVISION TAG



**A100069**  
*(x6)* | QUICK LINK



**A4M00505**  
*(x6)* | SWINGER HANGER



**A100178**  
*(x8)* | AUGER GROUND STAKE



**A4M00527**  
*(x2)* | GROUND STAKE REBAR

# PRE-ASSEMBLY STEP 1 - SORTING PARTS

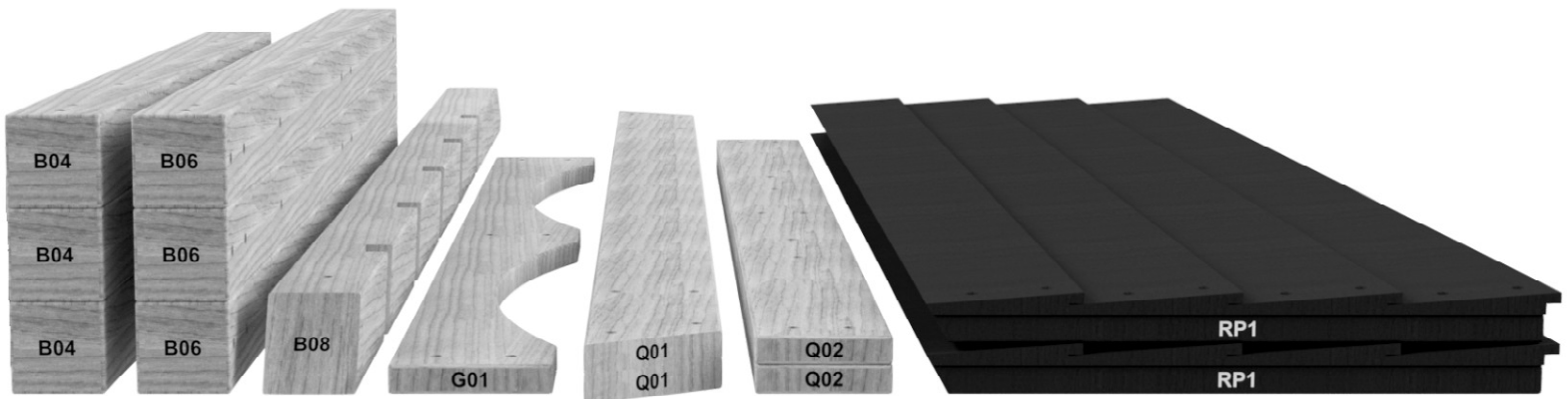
It is critical for ease of assembly that you take the time to sort and organize the wood and hardware.

---

## WOOD PARTS:

- Organize wood parts by the three-digit, alpha-numeric number stamped on each board (ex. P01).
- If there are multiple boards with the same stamped number, stack those pieces together.
- Stamps can be found on the flat surface of the boards or on the end of the boards.
- Allow yourself plenty of room - the wood pieces can take up a significant amount of space.

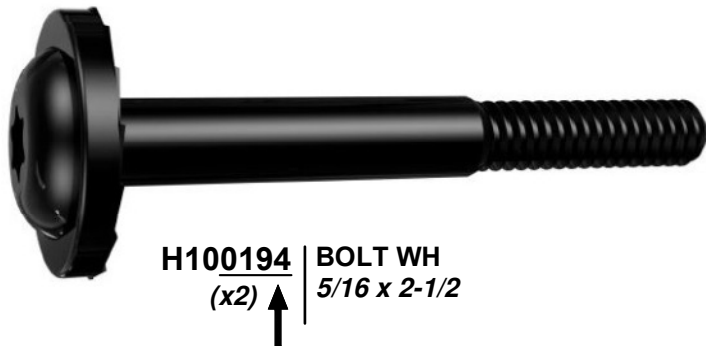
**NOTE: CARTONS ARE NOT ORGANIZED BY BOARD NUMBER.**



---

## HARDWARE PARTS:

- We recommend that you have a separate table to organize the hardware.
- Hardware bags are printed with a seven-digit, alpha-numeric part number.
- You can organize your hardware by part number or group by hardware type (i.e. bolts, nuts, etc.).
- During assembly you only need to reference the last four digits of the number.



# PRE-ASSEMBLY STEP 2 - TOOLS REQUIRED



**Cordless Drill or  
Electric Drill**



**Drill Attachments:  
Phillips Head**



**1/8", 3/16", 3/8" & 7/16"  
Drill Bits**



**Phillips Screw Driver**



**Open End Wrenches 1/2" & 9/16"**



**3/8" Drive Ratchet, 1/2" &  
9/16" STD Sockets 1/2" & 9/16" Deep  
Sockets**



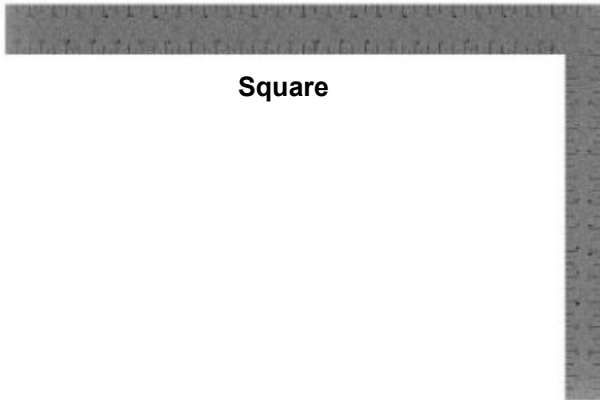
**Claw Hammer**



**Rubber Mallet - Optional**



**Tape Measure**



**Square**

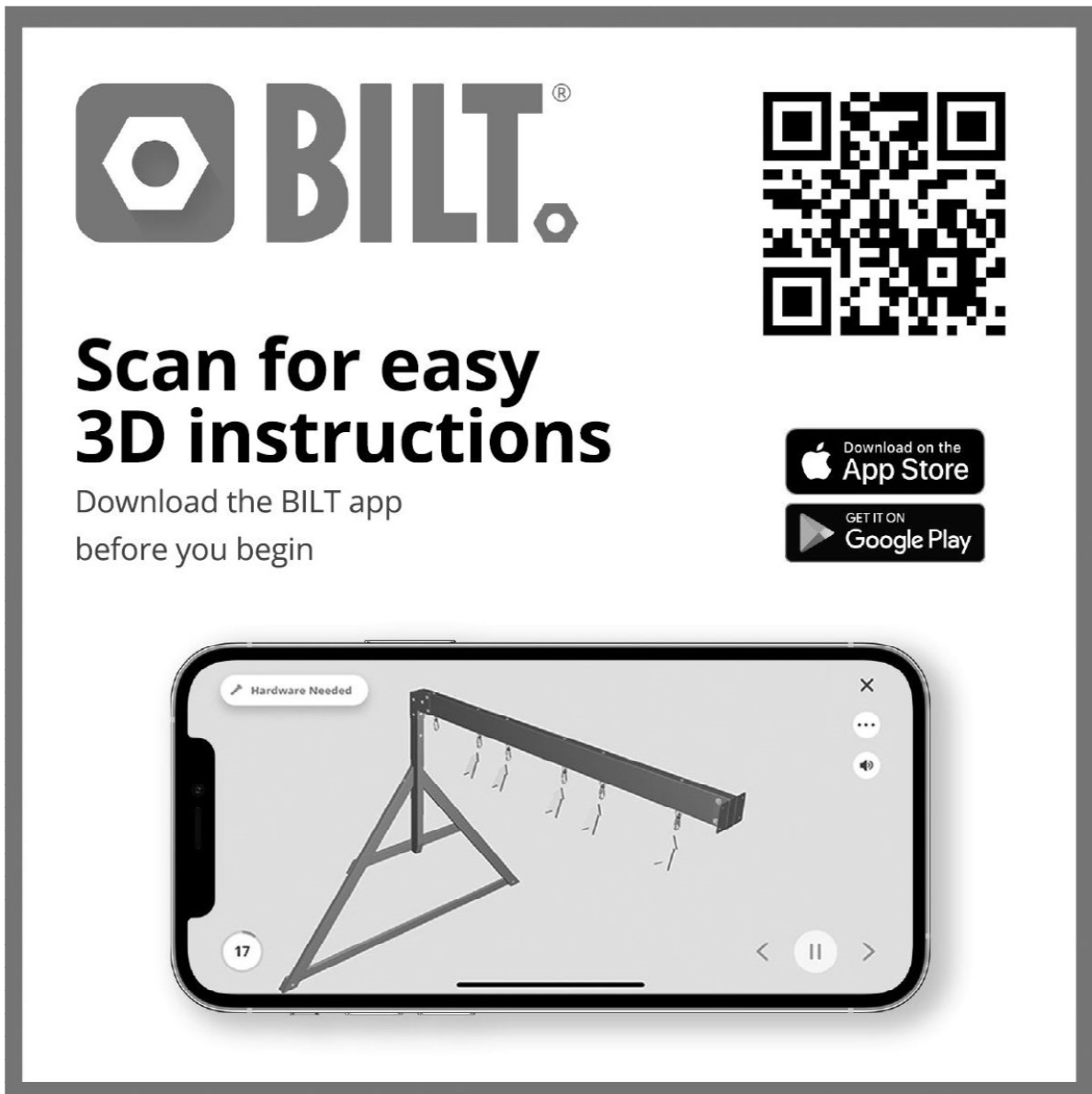


**Level 24"**

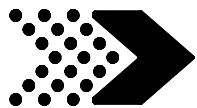
# PRE-ASSEMBLY STEP 3 - CHOOSE YOUR ASSEMBLY METHOD

There are several types of assembly instructions available to you.

1. Printed Assembly Manual included with your set
2. BILT APP - 3D interactive instructions
3. Combination of the Printed Manual and BILT APP (Note: Step numbers can differ between the two methods)

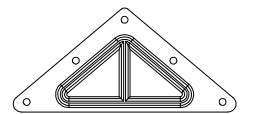


The advertisement features the BILT logo (a hexagon with a dot) and the word "BILT." in a bold, sans-serif font. To the right is a large QR code. Below the logo, the text "Scan for easy 3D instructions" is written in a large, bold font, followed by "Download the BILT app before you begin" in a smaller font. Two buttons are present: "Download on the App Store" with the Apple logo and "GET IT ON Google Play" with the Google Play logo. At the bottom, a smartphone screen displays a 3D assembly instruction for step 17, showing a metal frame with a horizontal bar and several hanging components. The screen includes a "Hardware Needed" label, a close button (X), a menu button (three dots), a volume icon, and navigation arrows.



# MONKEY BARS

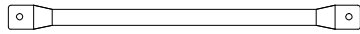
# STEP 1



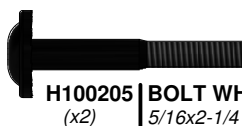
**A100294** | TRIANGLE  
PLATE 100° 5  
HOLE  
(x2)



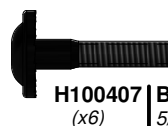
**A4M01046** | L BRACKET  
(x4) | 2.5x38x55x55



**A100045** | METAL RUNG  
(x4) | 559 GREEN



**H100205** | BOLT WH BLK  
(x2) | 5/16x2-1/4



**H100407** | BOLT WH BLK  
(x6) | 5/16x1 1/2



**H100379** | T-NUT BLK  
(x6) | 5/16



**H100403** | LAG SCREW  
(x8) | WH BLK  
1/4x1 1/2



**H100478** | WASHER FLAT  
(x2) | BLK  
8x27



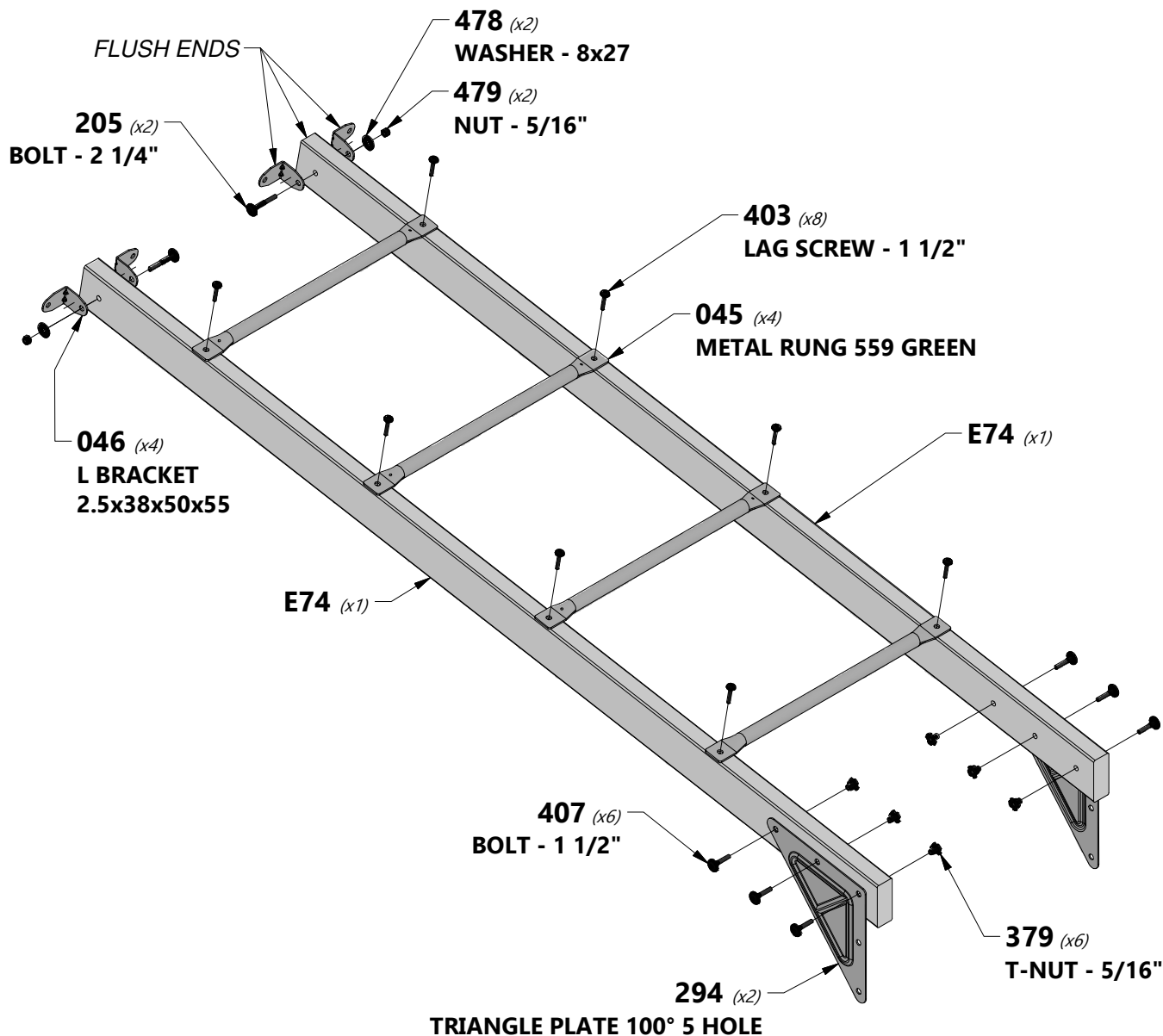
**H100479** | NUT LOCK BLK  
(x2) | 5/16

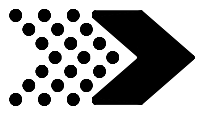


**E74** | MONKEY BAR RAIL - W4L15732  
(x2) | 1 3/8"x3 3/8"x77 1/8" (36x86x1959)



**TIP:**  
INSTALL T-NUTS INTO BOARDS  
BEFORE ASSEMBLY





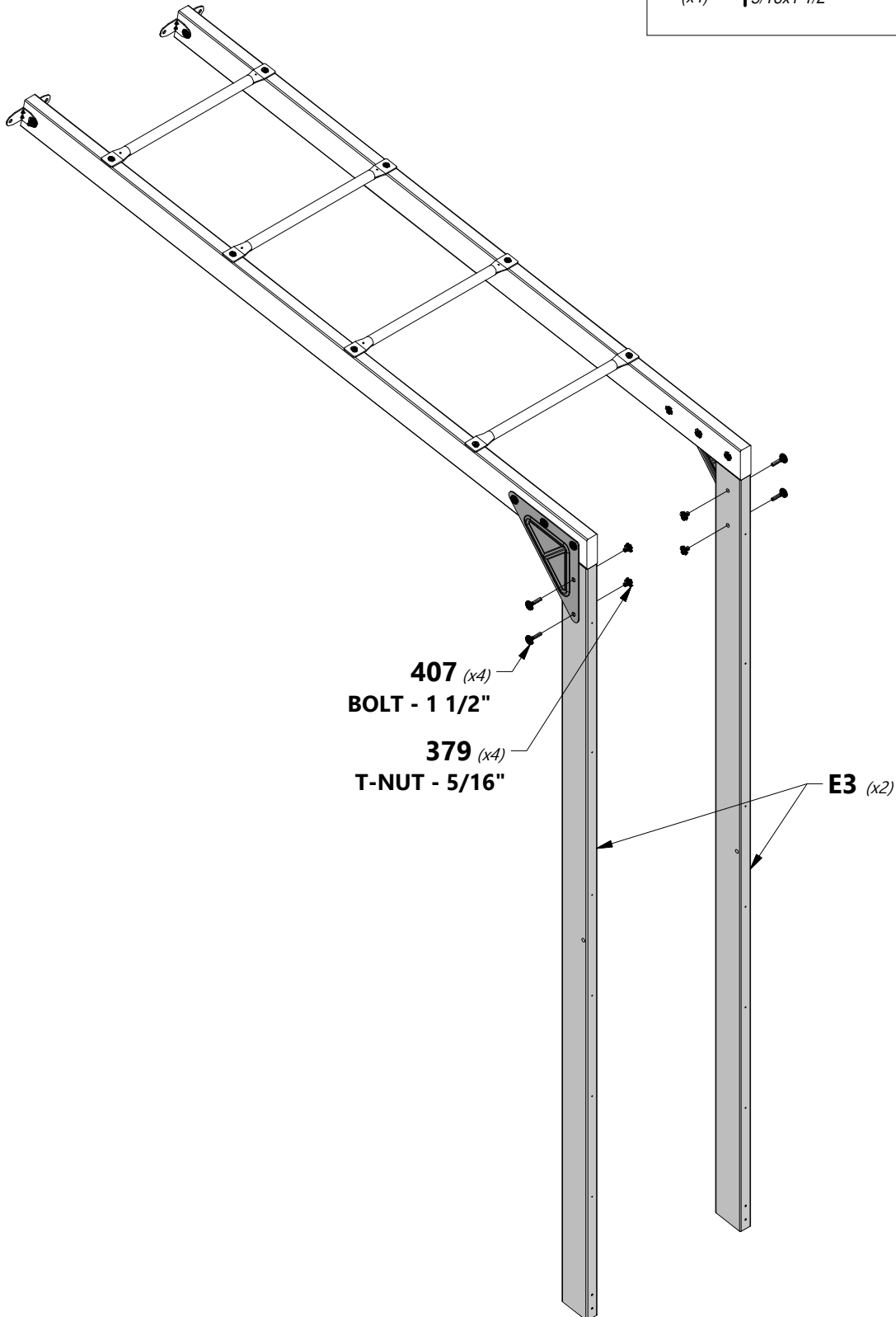
**E3** | MONKEY BAR UPRIGHT - W4L08127  
(x2) | 1 3/8"x3 3/8"x87 5/8" (36x86x2226)

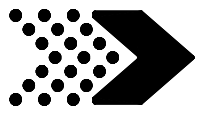


**H100407** | BOLT WH BLK  
(x4) | 5/16x1 1/2



**H100379** | T-NUT BLK  
(x4) | 5/16





# MONKEY BARS

# STEP 3



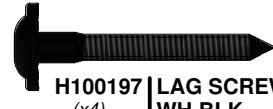
**H82** | MONKEY BAR GROUND BOARD - W4L15714  
(x1) | 1"x3 3/8"x70 3/8" (24x86x1786)



**H81** | MONKEY BAR BRACE - W4L15710  
(x2) | 1"x3 3/8"x51 5/8" (24x86x1311)



**H100472** | BOLT HEX BLK  
(x2) | 5/16x2 3/4



**H100197** | LAG SCREW  
(x4) | WH BLK  
5/16x2 1/2



**H100407** | BOLT WH BLK  
(x4) | 5/16x1 1/2



**H100192** | NUT BARREL  
(x4) | WH BLK  
5/16x7/8



**H100379** | T-NUT BLK  
(x2) | 5/16



**H100473** | WASHER LOCK  
(x2) | INT BLK  
8x15



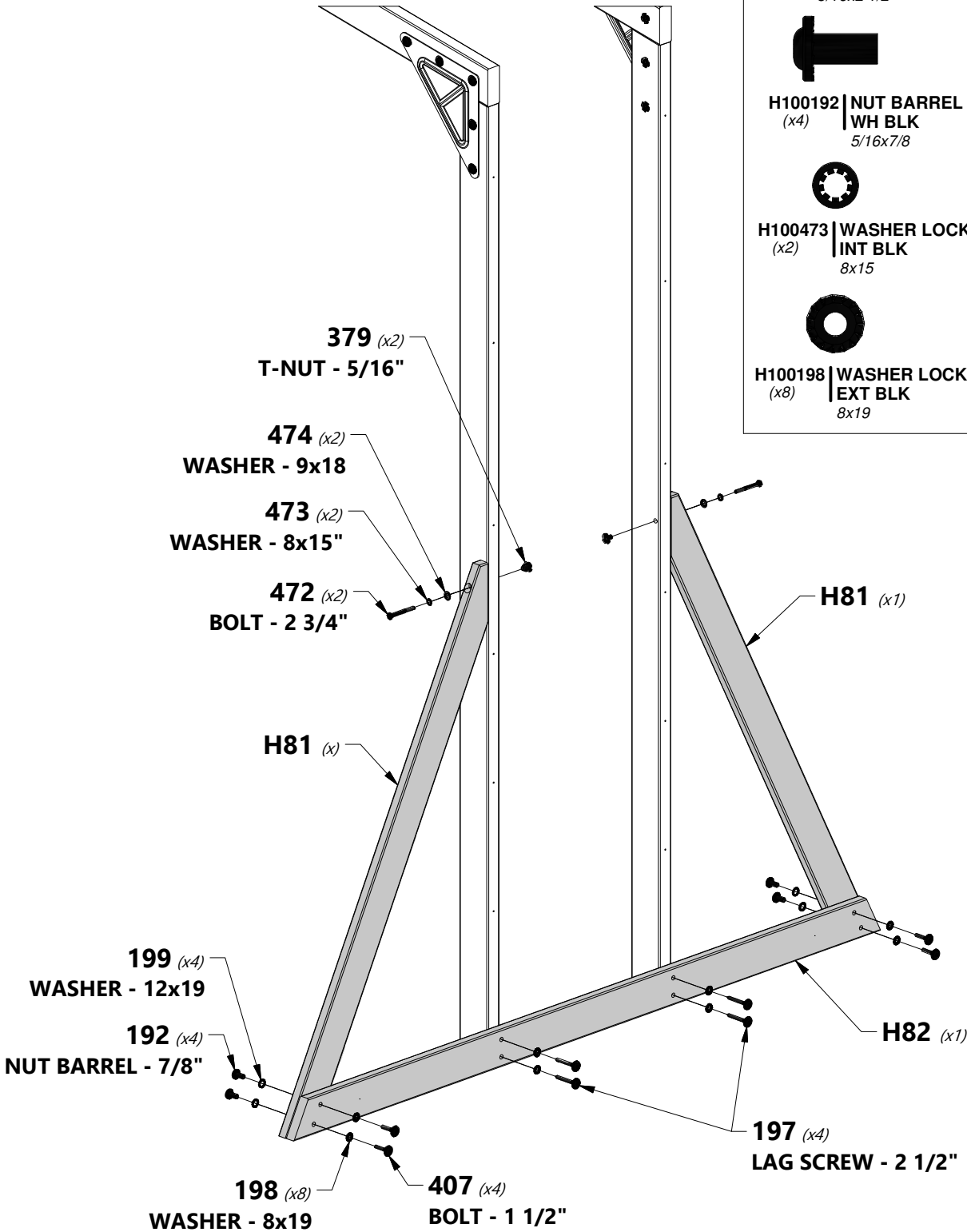
**H100474** | WASHER FLAT  
(x2) | BLK  
9x18

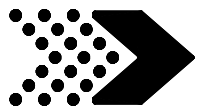


**H100198** | WASHER LOCK  
(x8) | EXT BLK  
8x19



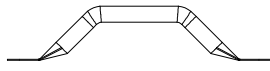
**H100199** | WASHER LOCK  
(x4) | EXT BLK  
12x19



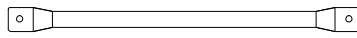


# MONKEY BARS

# STEP 4



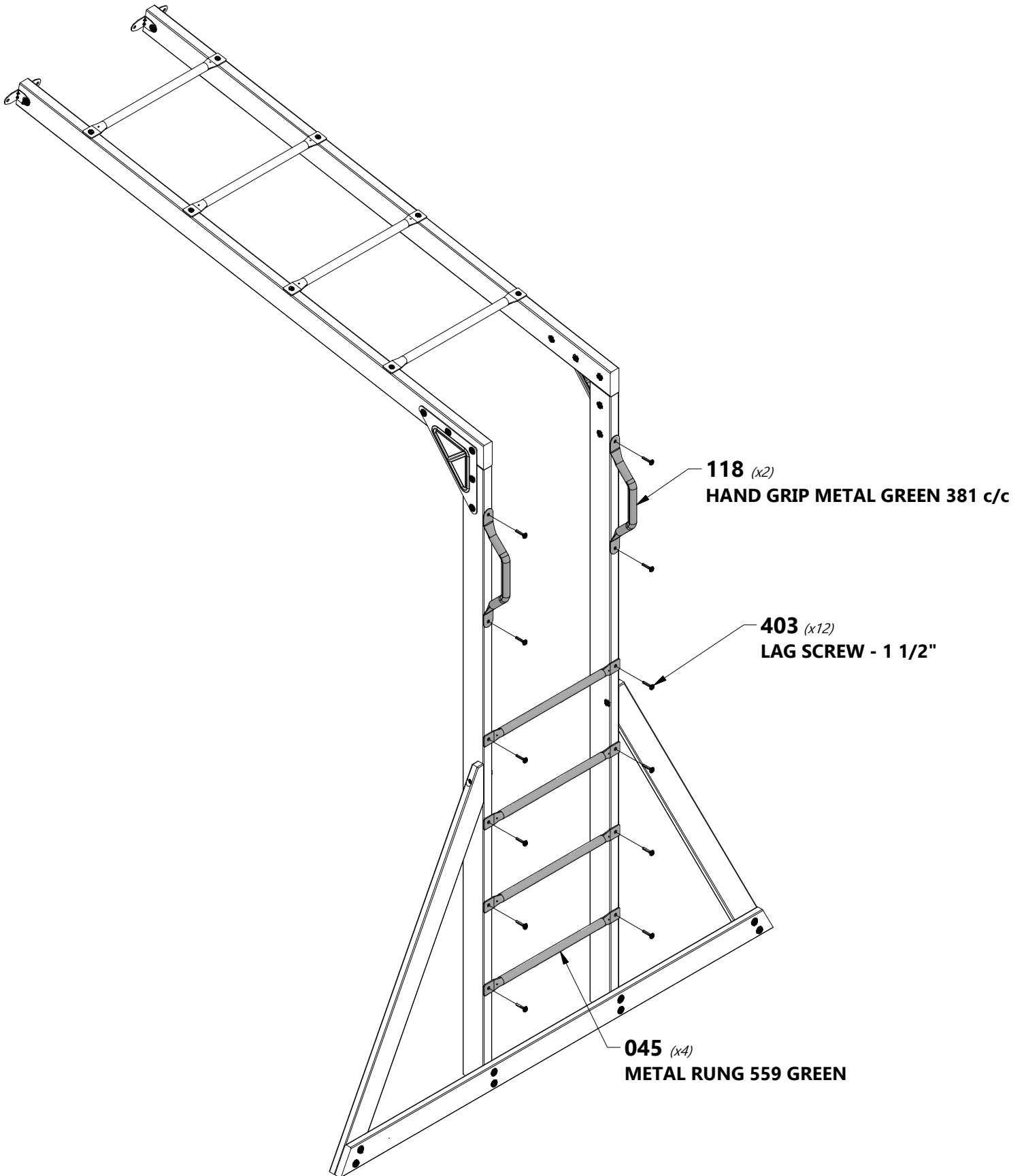
**A100118** | **HAND GRIP**  
*(x2)* | **METAL GREEN**  
**381 c/c**

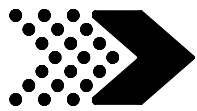


**A100045** | **METAL RUNG**  
*(x4)* | **559 GREEN**



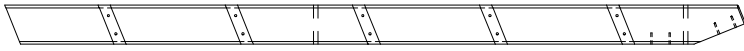
**H100403** | **LAG SCREW**  
*(x12)* | **WH BLK**  
**1/4x1 1/2**





# LADDER ASSEMBLY

# STEP 1



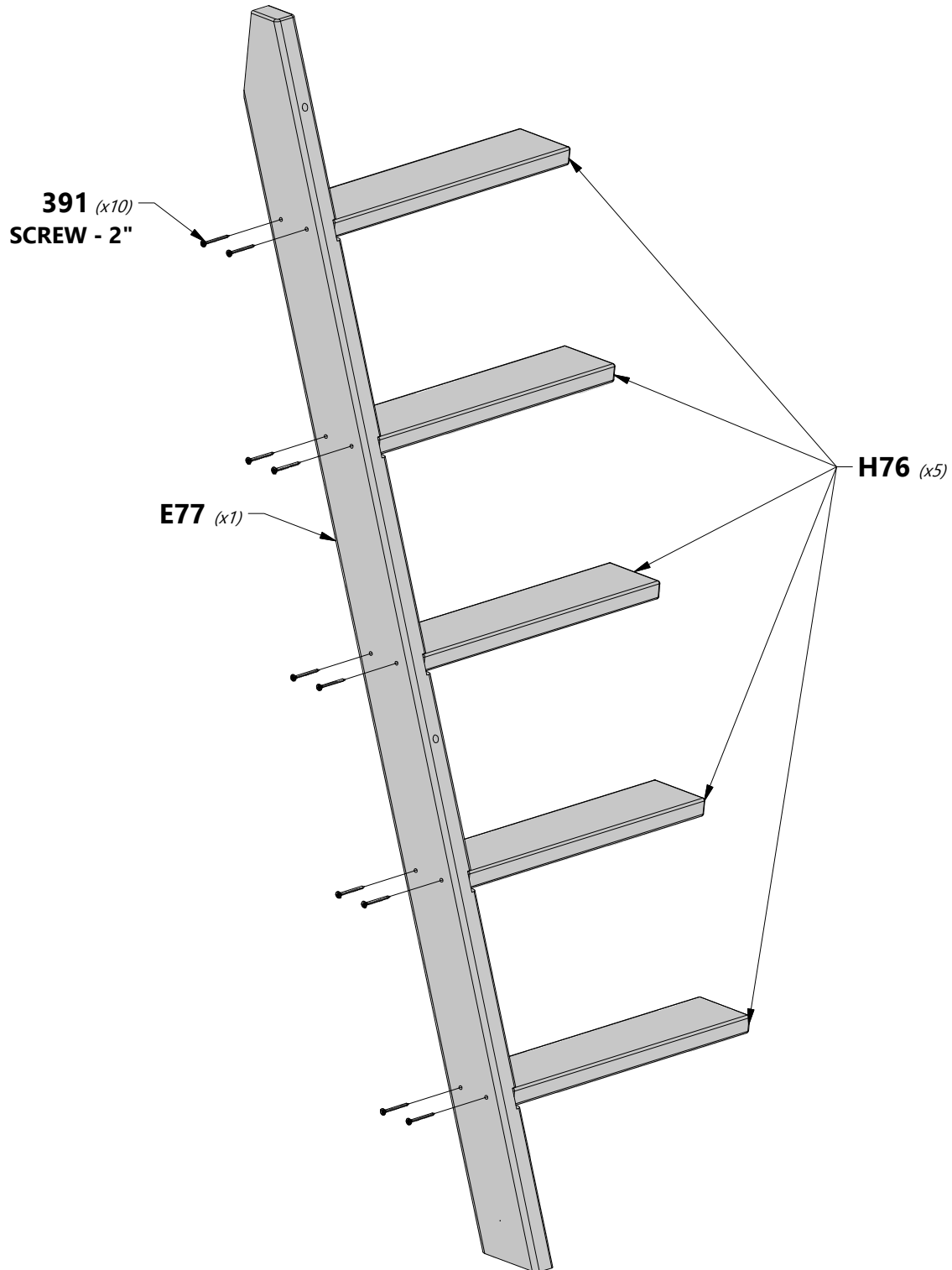
**E77** | LEFT UPRIGHT - W4L14734  
(x1) | 1 3/8"x3 3/8"x64 3/8" (36x86x1634)

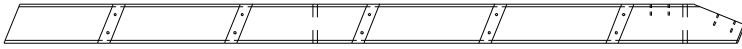
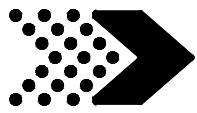


**H76** | LADDER RUNG - W4L14779  
(x5) | 1"x3 3/8"x18 1/8" (24x86x460)



**H100391** | SCREW PFH BLK  
(x10) | 8x2

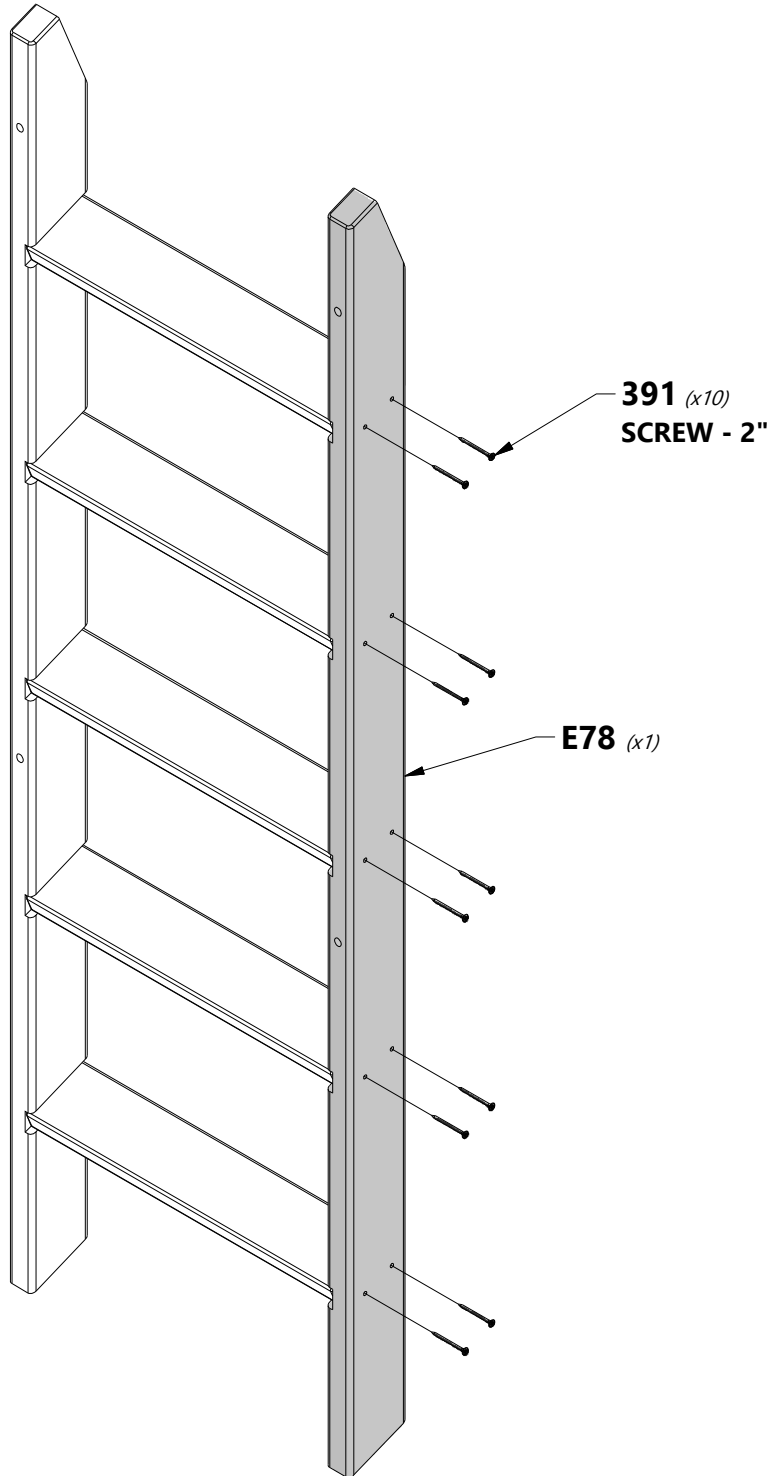


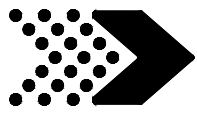


**E78** | RIGHT UPRIGHT - W4L14735  
(x1) | 1 3/8"x3 3/8"x64 3/8" (36x86x1634)



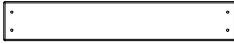
**H100391** | SCREW PFH BLK  
(x10) | 8x2





# LADDER ASSEMBLY

# STEP 3



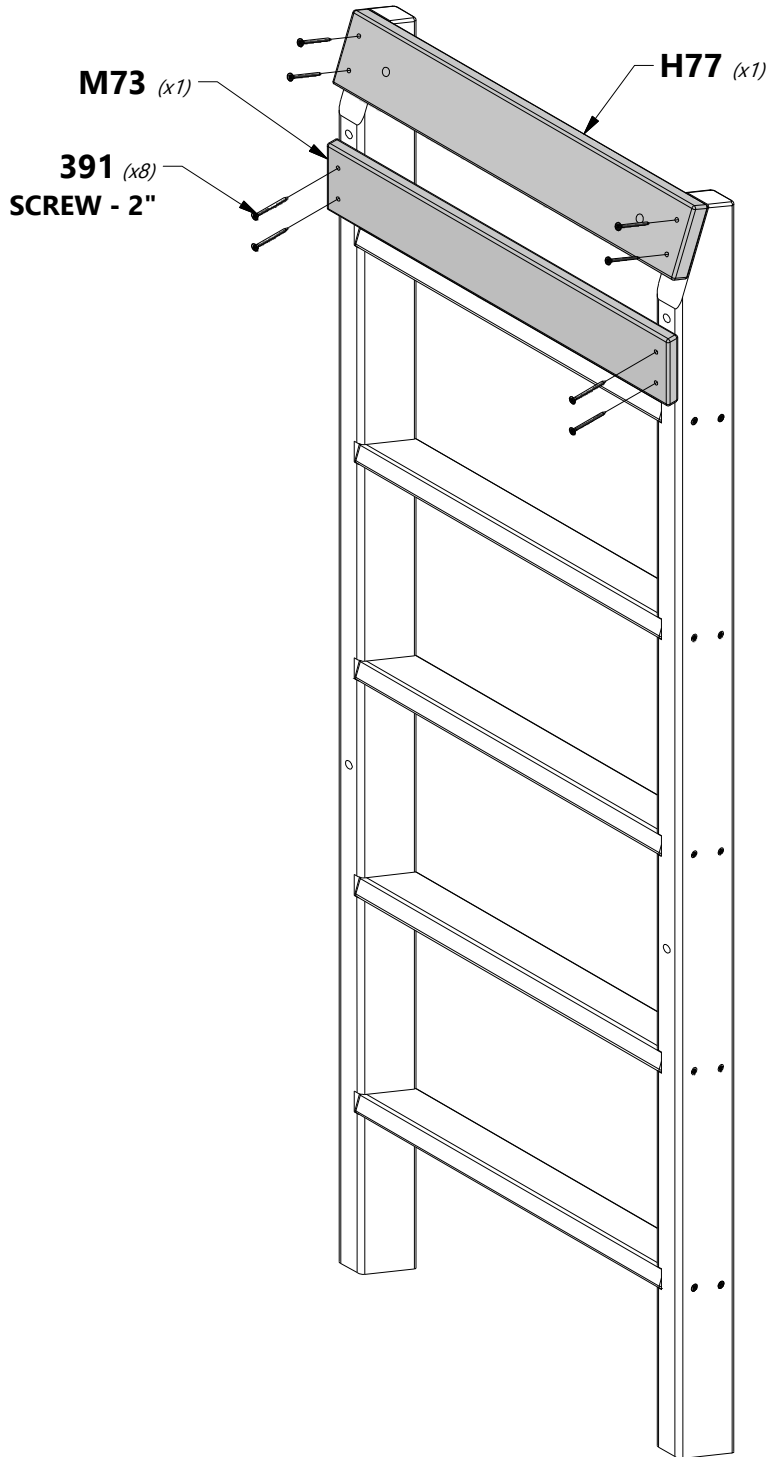
**M73** | REAR SUPPORT - W4L14821  
(x1) | 5/8"x3 3/8"x20 1/8" (16x86x512)

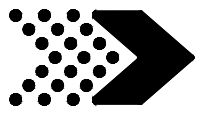


**H77** | ATTACHMENT BOARD - W4L14780  
(x1) | 1"x3 3/8"x20 1/8" (24x86x512)



**H100391** | SCREW PFH BLK  
(x8) | 8x2





# LADDER ASSEMBLY

# STEP 4



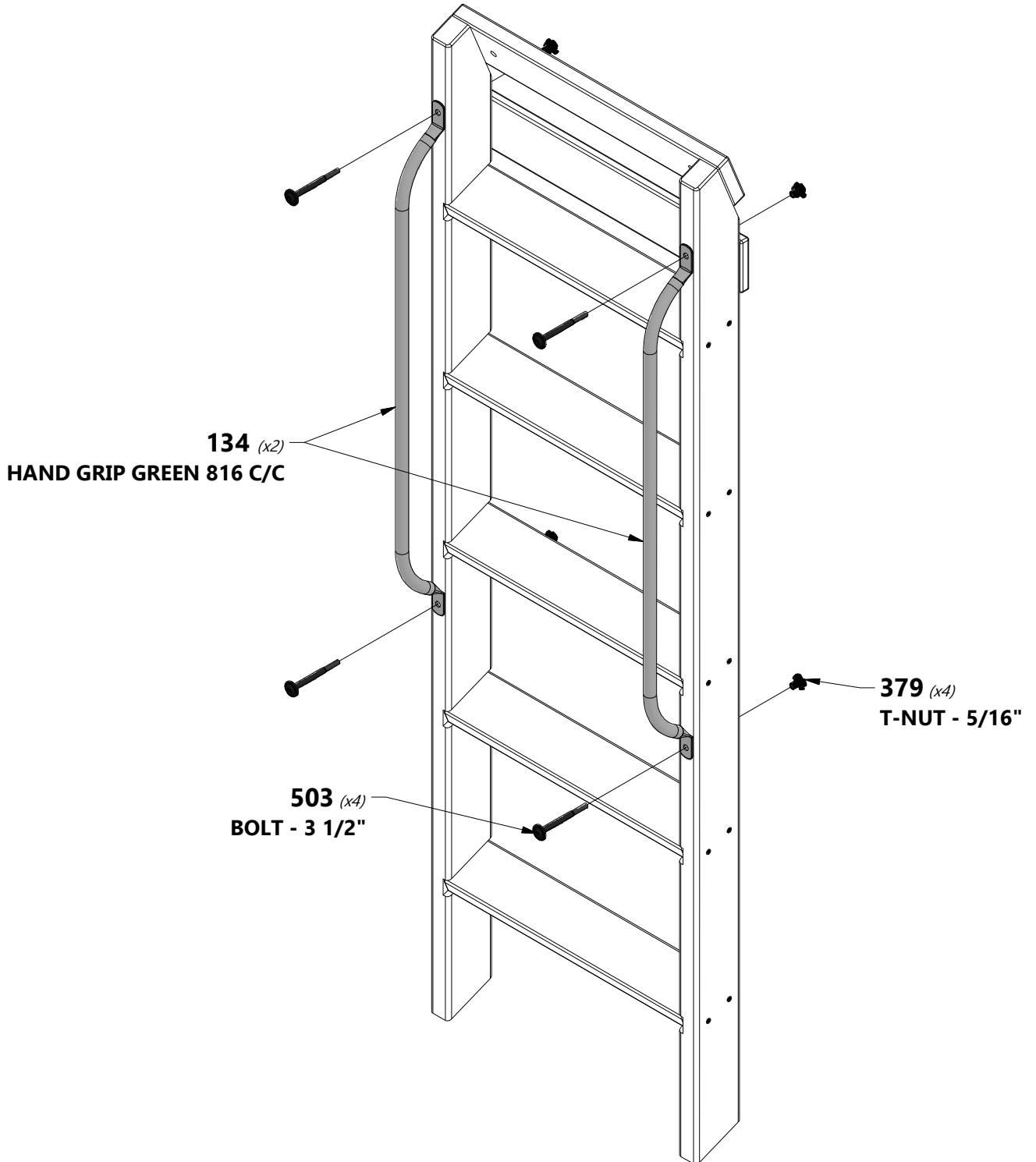
**A100134**  
*(x2)* | **HAND GRIP GREEN 816 C/C**



**H100503**  
*(x4)* | **BOLT WH BLK**  
5/16x3-1/2



**H100379**  
*(x4)* | **T-NUT BLK**  
5/16





# ROCKWALL ASSEMBLY

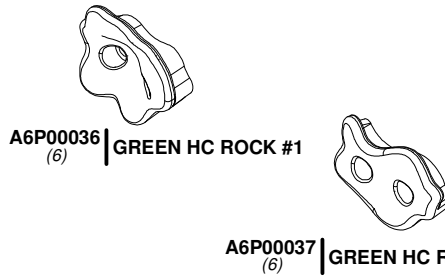
## STEP 1



**M75** | ROCK WALL BOARD - W4L15632  
(4) 5/8"x3 3/8"x22 7/8" (16x86x580)



**M76** | ROCK WALL BOARD - W4L15633  
(4) 5/8"x3 3/8"x22 7/8" (16x86x580)



**A6P00036** | GREEN HC ROCK #1  
(6)

**A6P00037** | GREEN HC ROCK #2  
(6)



**H100108** | WASHER LOCK  
(24) INT  
8x15



**H100063** | BOLT PTH  
(24) 1/4x3/4

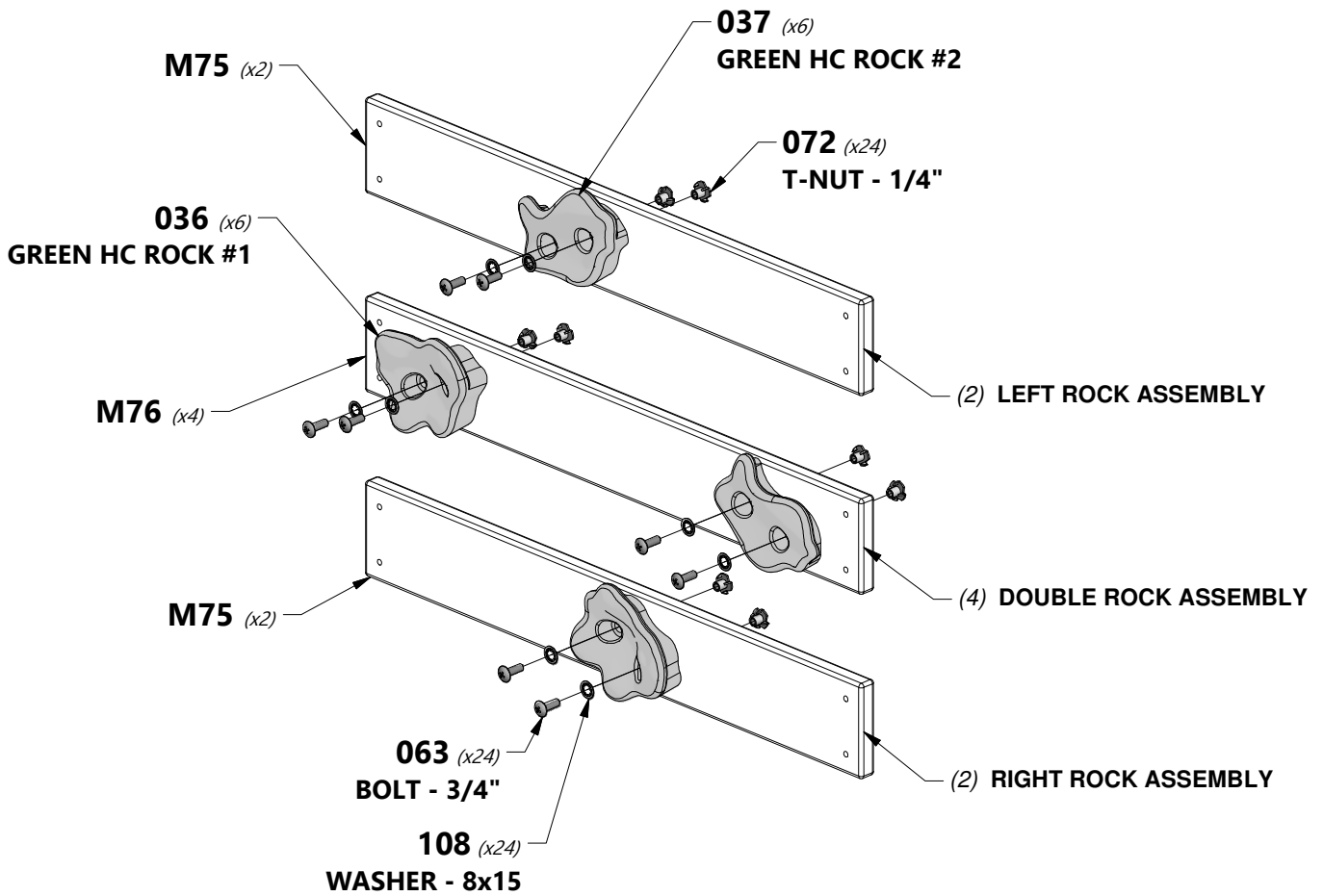
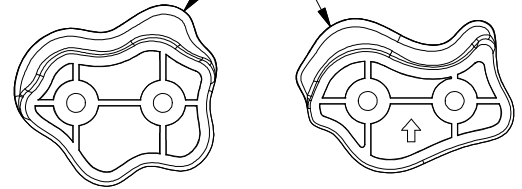


**H100072** | T-NUT  
(24) 1/4



**TIP:**  
INSTALL T-NUTS INTO BOARDS  
BEFORE ASSEMBLY

**INSTALL WITH FINGER GRIPS UPWARD.  
\*\*PLACE ROCKS AS DESIRED\*\***





# ROCKWALL ASSEMBLY

## STEP 2



(2) LEFT ROCK ASSEMBLY



(4) DOUBLE ROCK ASSEMBLY



(2) RIGHT ROCK ASSEMBLY

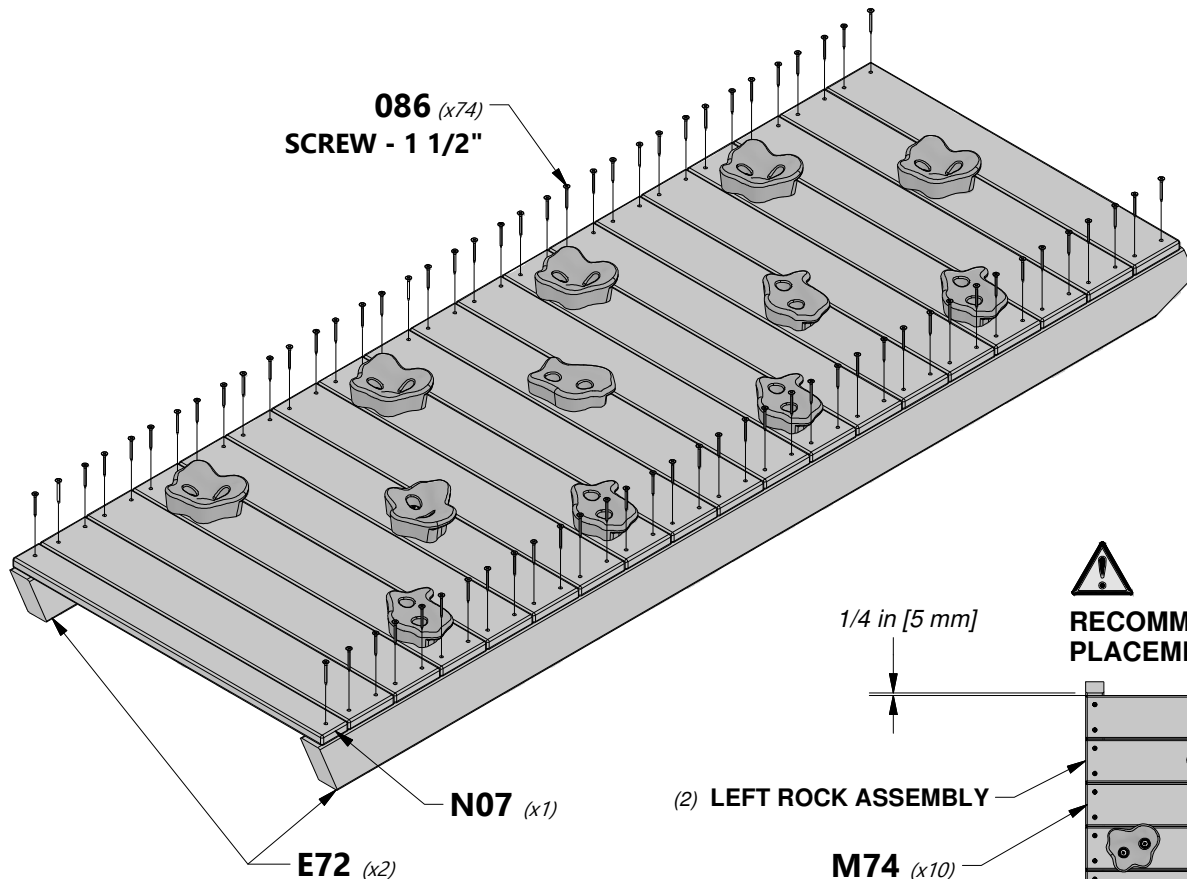
**N07** | ROCK WALL BOARD - W4L15626  
(1) 5/8"x2"x22 7/8" (16x50x580)

**M74** | ROCK WALL BOARD - W4L15631  
(10) 5/8"x3 3/8"x22 7/8" (16x86x580)

**E72** | ROCKWALL RAIL - W4L15490  
(2) 1 3/8"x3 3/8"x64 5/8" (36x86x1640)



**H100086** | SCREW PFH  
(74) 8x1 1/2



**086** (x74)  
SCREW - 1 1/2"

**N07** (x1)

**E72** (x2)

(2) LEFT ROCK ASSEMBLY

**M74** (x10)

(2) RIGHT ROCK ASSEMBLY

(4) DOUBLE ROCK ASSEMBLY



TOP

RECOMMENDED BOARD  
PLACEMENT PATTERN

1/4 in [5 mm]



(2) LEFT ROCK ASSEMBLY

**M74** (x10)

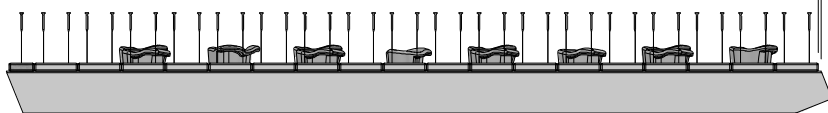
(2) RIGHT ROCK ASSEMBLY

(4) DOUBLE ROCK ASSEMBLY

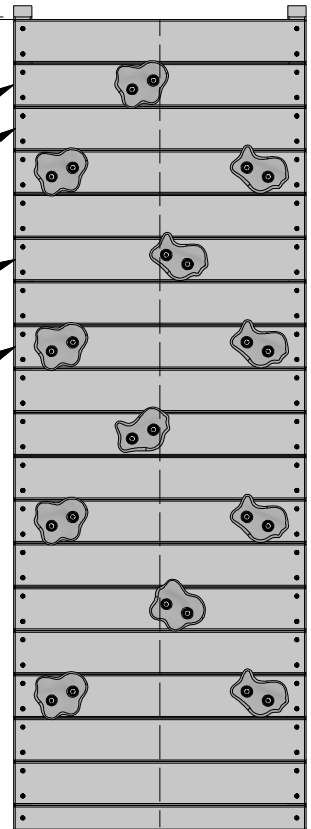


1/4 in [5 mm]

TOP



SIDE VIEW





# ROCKWALL ASSEMBLY

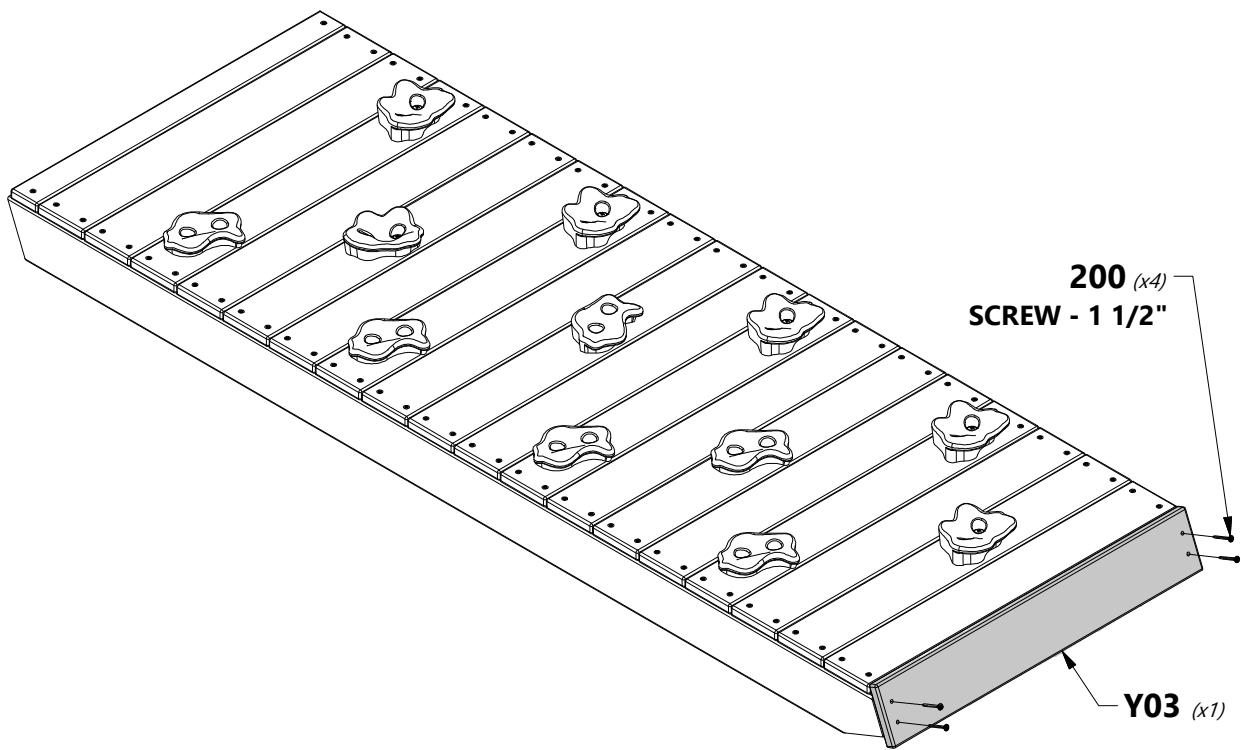
## STEP 3



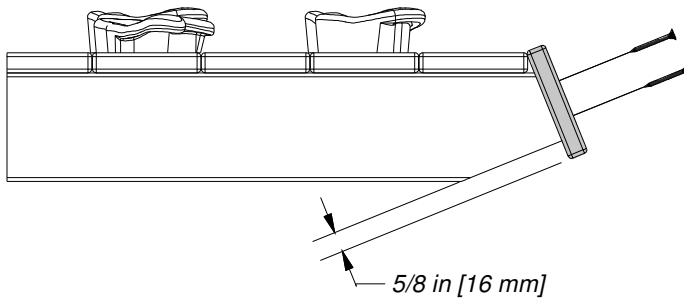
**Y03 | ROCK WALL END BOARD - W4L15644**  
(1) 5/8"x3 5/8"x22 7/8" (16x92x580)



**H100200 | SCREW PFH BLK**  
(4) 8x1 1/2



**SIDE VIEW**






# ROCKWALL ASSEMBLY

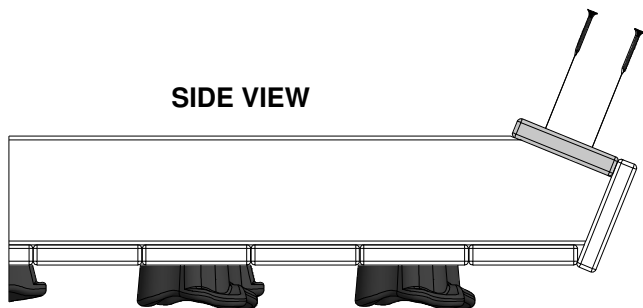
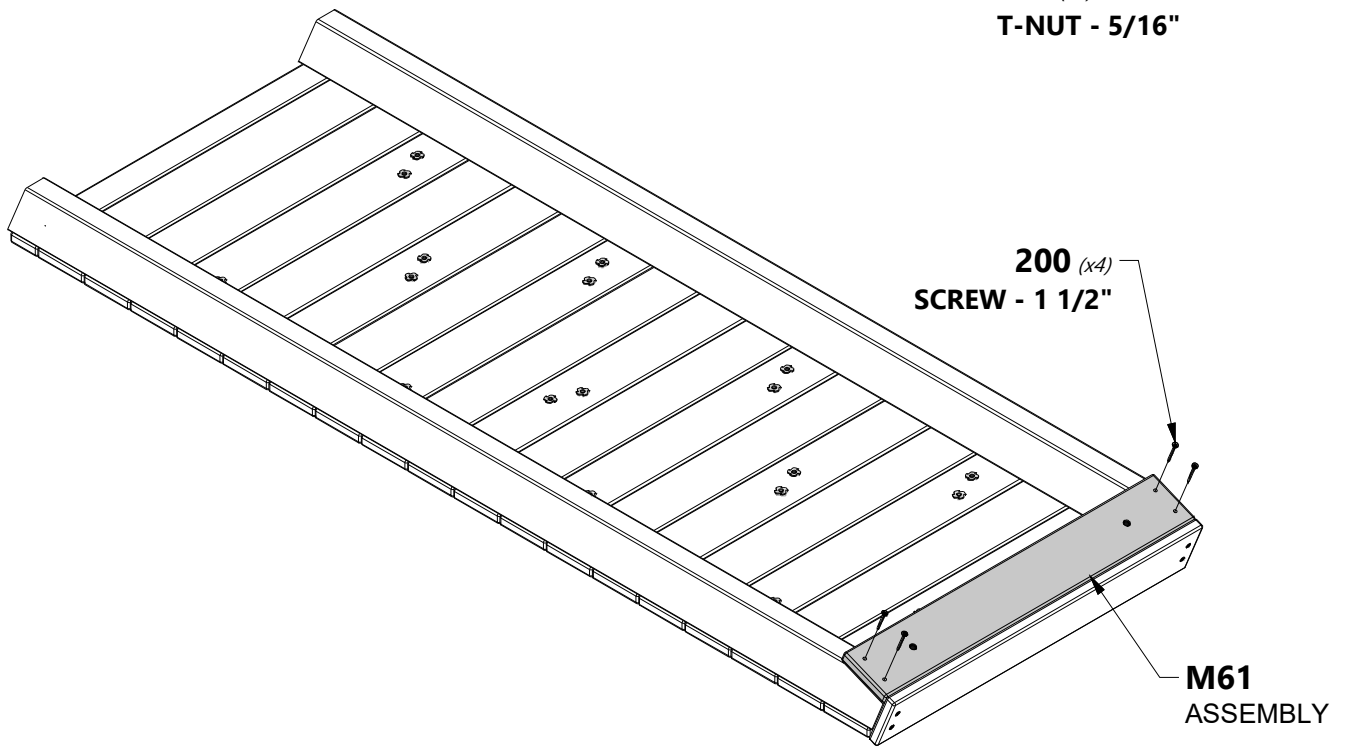
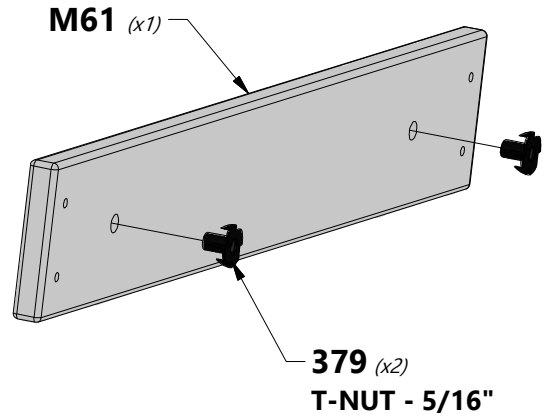
## STEP 4



**M61** | ATTACHMENT BOARD - W4L15629  
(1) | 5/8"x3 3/8"x22 7/8" (16x86x580)

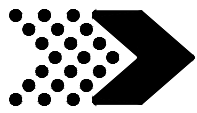
 **H100200** | SCREW PFH BLK  
(4) | 8x1 1/2

 **H100379** | T-NUT BLK  
(2) | 5/16



SIDE VIEW

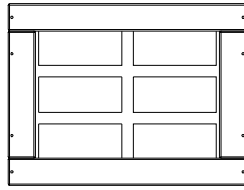
 **T-NUTS TO THE INSIDE WHEN INSTALLING BOARD**



# BAY WINDOW ASSEMBLY

## STEP 1

**G5** | BAY WINDOW HEADER - W4L14744  
(x4) | 1"x5 1/4"x45 1/4" (24x134x1150)



**WP1** | BAY WINDOW PANEL - W2A03148  
(x6) | 7/8"x15 3/4"x20 3/4" (21x400x526)

**H100200** | SCREW PFH BLK  
(x40) | 8x1 1/2

**H100385** | SCREW PFH BLK  
(x8) | 8x1



### NOTE:

MAKE (2) WINDOW ASSEMBLIES.

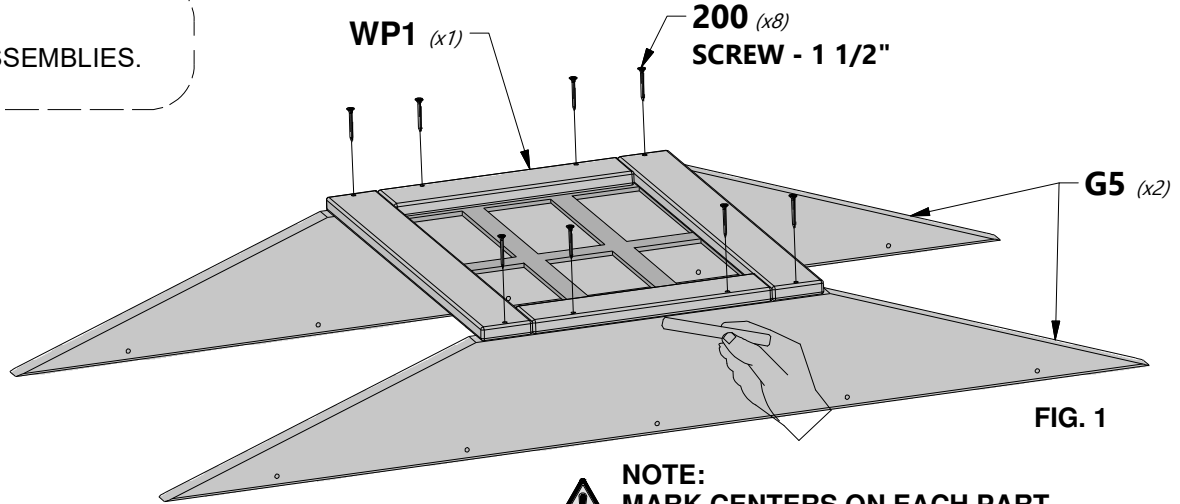


FIG. 1



**NOTE:**  
MARK CENTERS ON EACH PART  
THEN ALIGN PARTS ON MARKS.

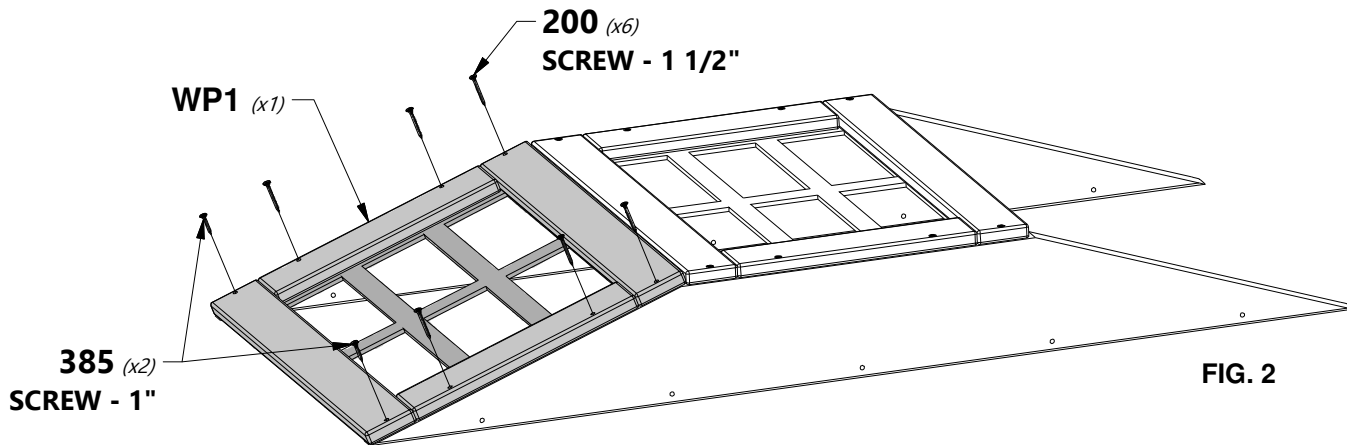


FIG. 2

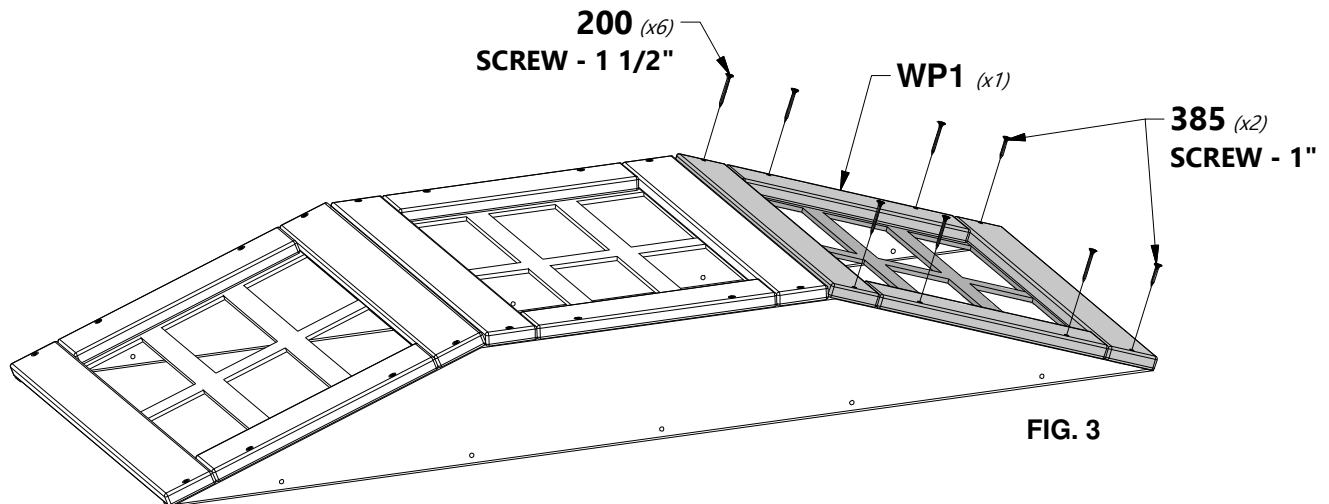
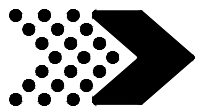
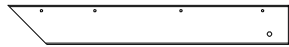


FIG. 3



# PORCH ROOF ASSEMBLY

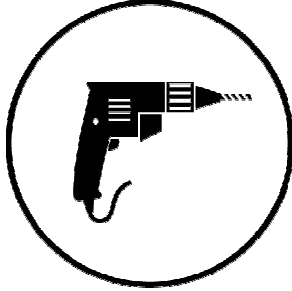
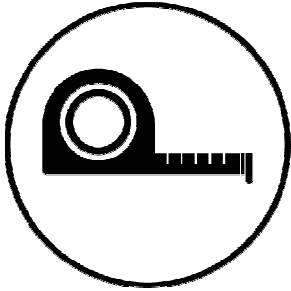
## STEP 1



**H20** | PORCH ROOF RAFTER - W4L14767  
(x4) | 1"x3 3/8"x24 1/2" (24x86x622)



**H100091** | SCREW PFH  
(x2) | 8X2 1/4



1 1/4 in  
[32 mm]

1/2 in  
[12 mm]



**USING A 3/16" [5 mm] DRILL BIT, MARK AND DRILL A PILOT HOLE INTO 'H20' RAFTER TO PREVENT SPLITTING. ONLY DRILL THROUGH ONE RAFTER NOT BOTH.**



### NOTE:

MAKE (2) RAFTER ASSEMBLIES.

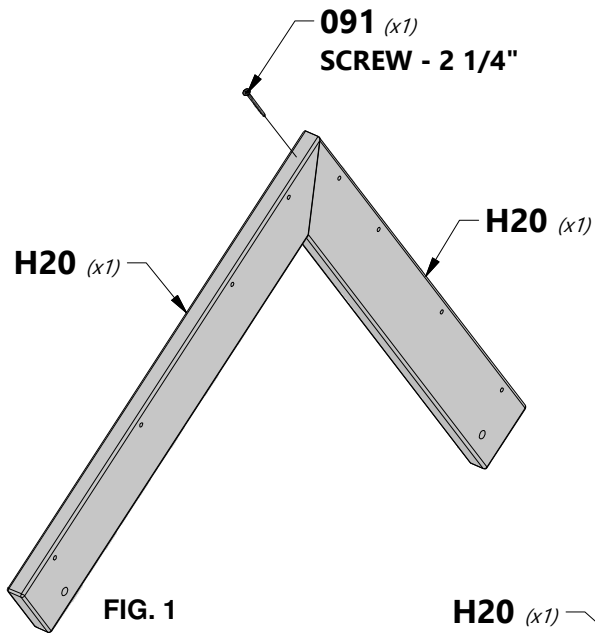


FIG. 1

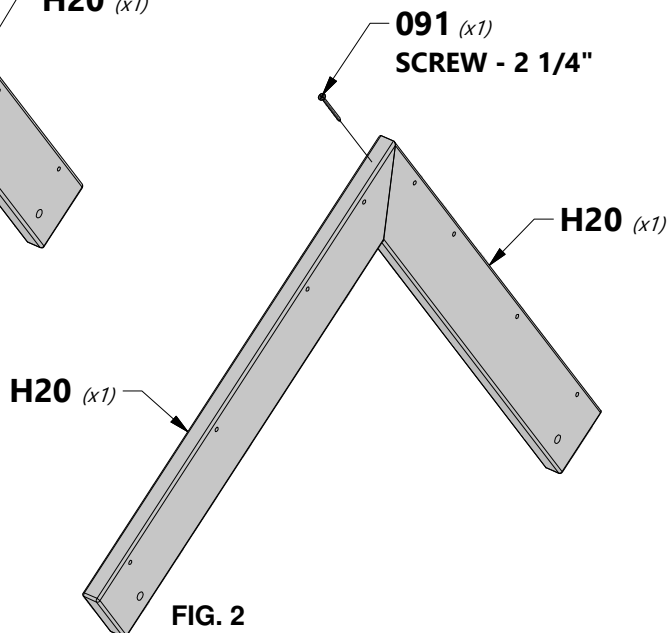
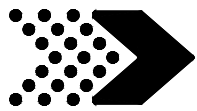


FIG. 2



# PORCH ROOF ASSEMBLY

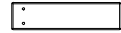
## STEP 2



**M19** | FRONT PORCH ROOF SUPPORT - W4L14806  
(x1) | 5/8"x3 3/8"x30 5/8" (16x86x779)



**N5** | FRONT PORCH GABLE TRIM - W4L14829  
(x1) | 5/8"x2 3/8"x15" (16x60x381)



**N8** | FRONT PORCH GABLE TRIM - W4L14832  
(x2) | 5/8"x2 3/8"x9 1/2" (16x60x241)



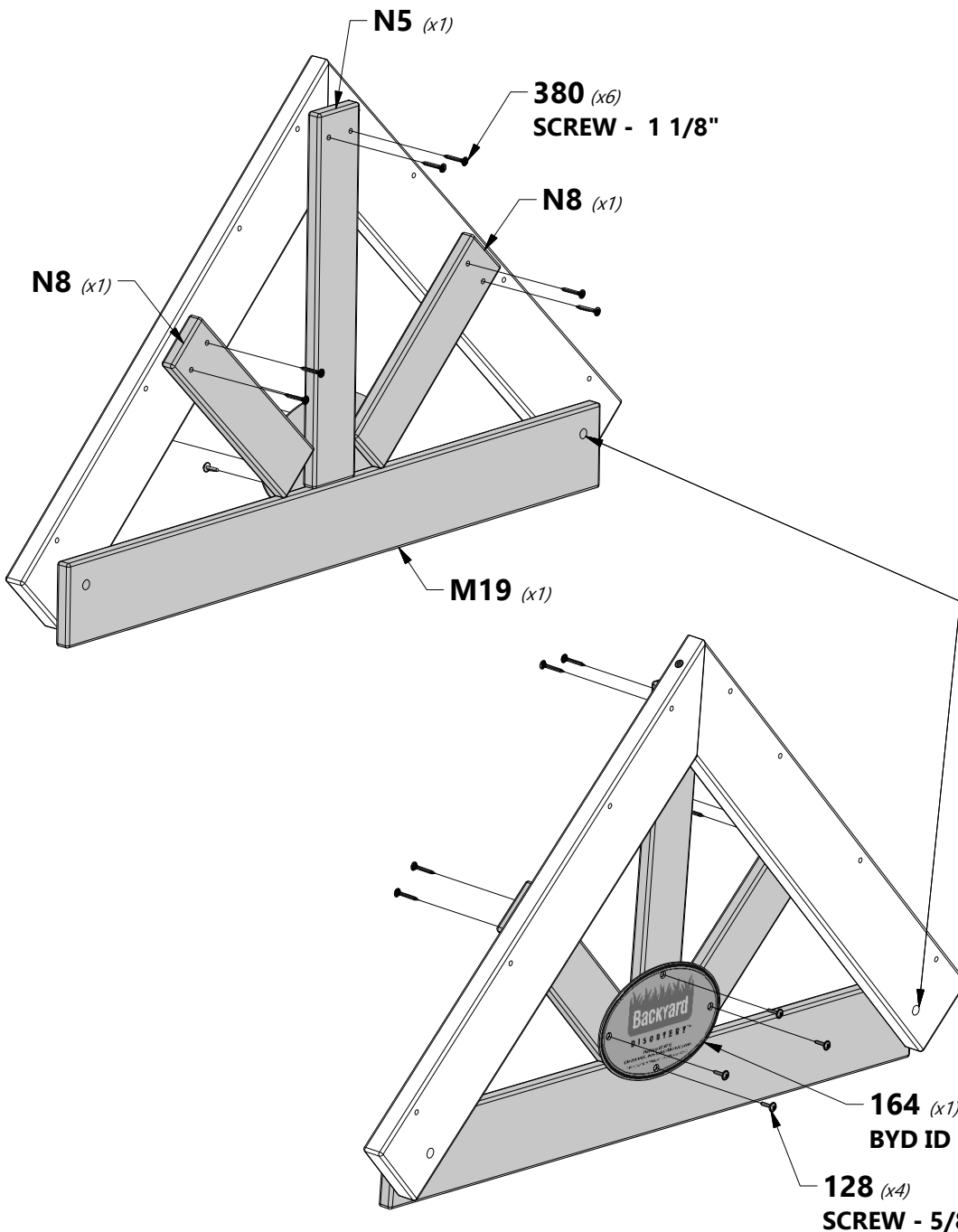
**A100164** | BYD ID TAG (LARGE) AGES 3-10  
(x1)

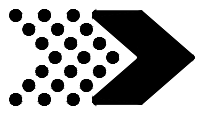


**H100380** | SCREW PFH BLK  
(x6) | 8x1 1/8



**H100128** | SCREW PWH  
(x4) | 8x5/8



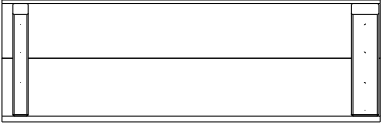


# PORCH ROOF ASSEMBLY

## STEP 3



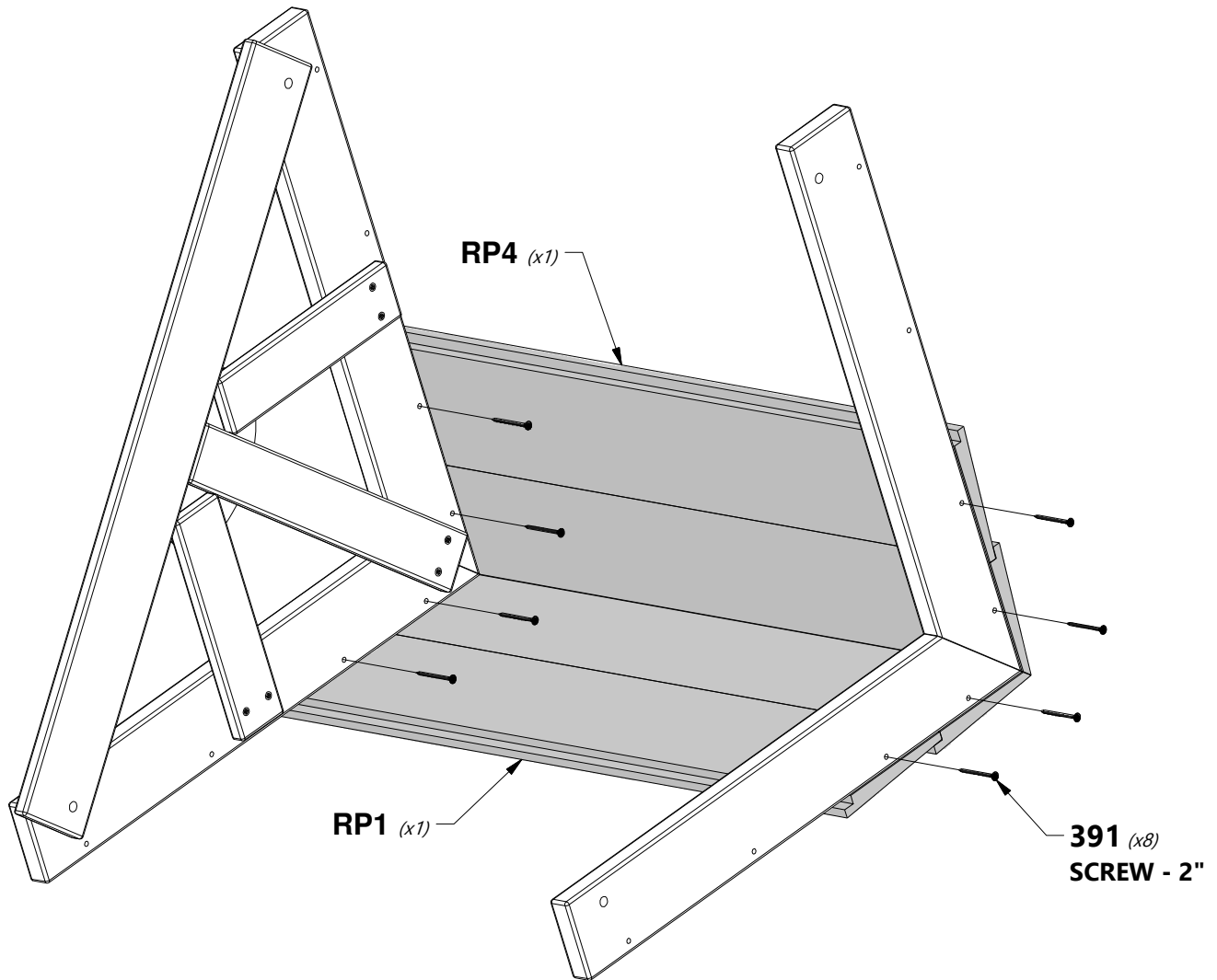
**RP1** | LEFT PORCH PEAK ROOF PANEL - W2A03142  
(x1) | 1 5/8"x10 1/2"x32 7/8" (42x268x834)

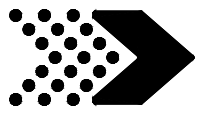


**RP4** | RIGHT PORCH PEAK ROOF PANEL - W2A03145  
(x1) | 1 5/8"x10 1/2"x32 7/8" (42x268x834)



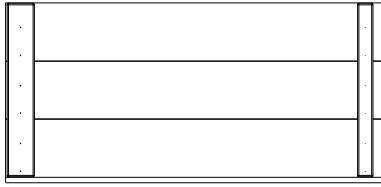
**H100391** | SCREW PFH BLK  
(x8) | 8x2



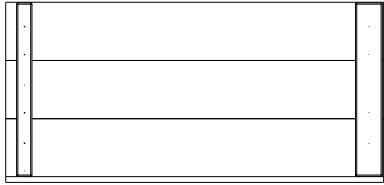


# PORCH ROOF ASSEMBLY

## STEP 4



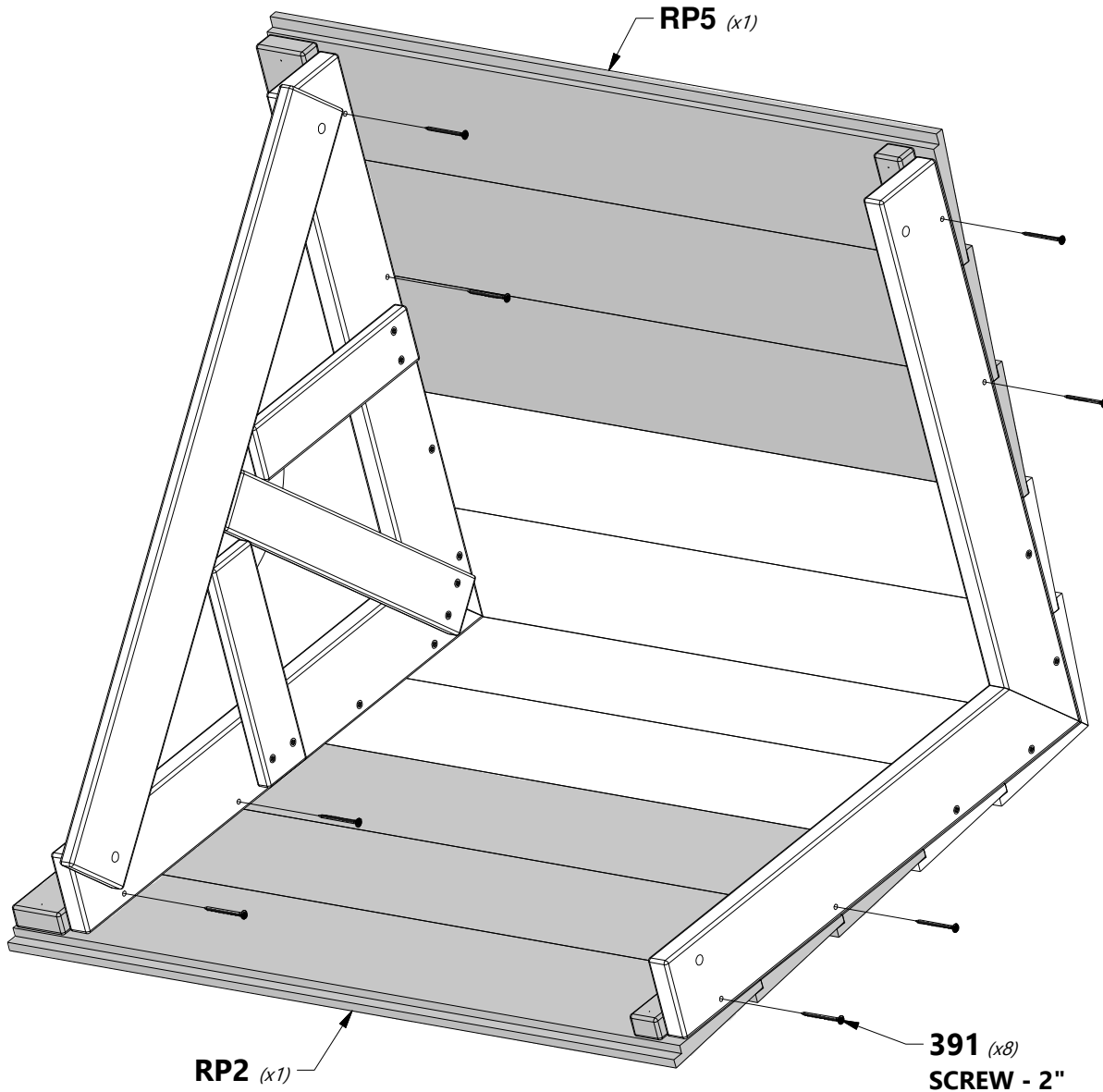
**RP2** | LEFT PORCH ROOF PANEL - W2A03143  
(x1) | 1 5/8"x15 5/8"x32 7/8" (42x396x834)

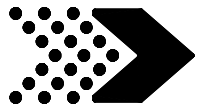


**RP5** | RIGHT PORCH ROOF PANEL - W2A03146  
(x1) | 1 5/8"x15 5/8"x32 7/8" (42x396x834)



**H100391** | SCREW PFH BLK  
(x8) | 8x2



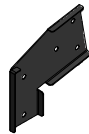


# SWING BEAM ASSEMBLY

## STEP 1



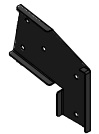
**A1** | SWING BEAM - W4L15713  
(x1) | 3 3/8"x5 1/4"x89 1/2" (86x134x2274)



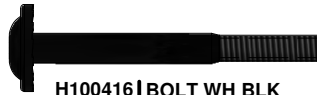
**A100325** | SWING BEAM  
EXTENSION  
BRACKET-LEFT  
(x1)



**A100140** | L BRACKET  
(x2) | 66x66x127



**A100326** | SWING BEAM  
EXTENSION  
BRACKET-RIGHT  
(x1)



**H100416** | BOLT WH BLK  
(x5) | 5/16x3



**H100192** | NUT BARREL WH BLK  
(x5) | 5/16x7/8

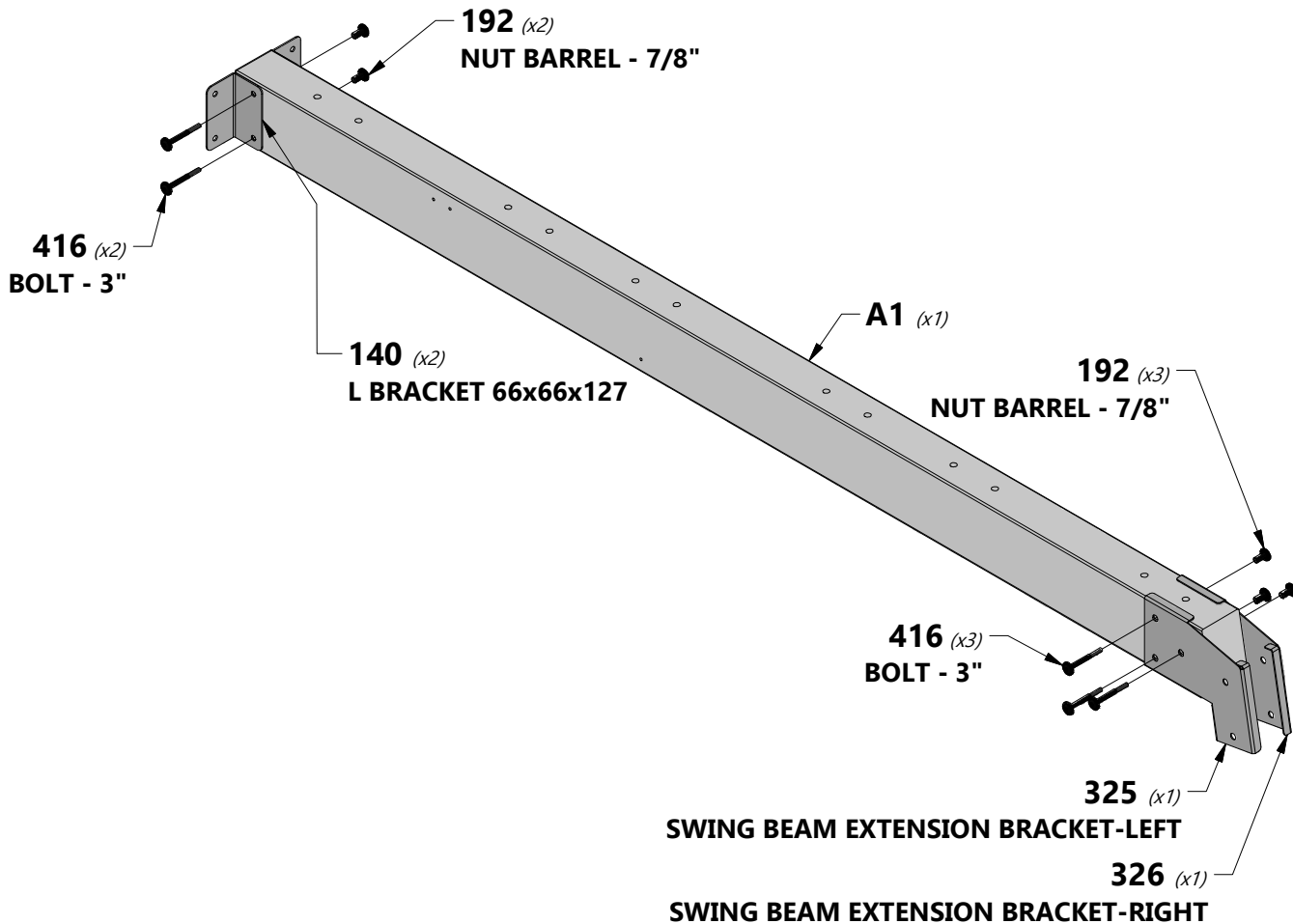
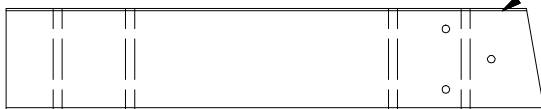


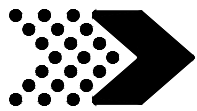
**NOTE:**

LEAVE HARDWARE LOOSE FOR  
EASE OF ASSEMBLY.



**NOTE THIS  
EDGE UPWARD**





# SWING BEAM ASSEMBLY

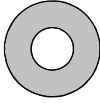
## STEP 2



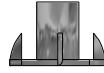
**H100654** | BOLT HEX  
(x12) | 3/8x5-1/2



**H100107** | WASHER LOCK INT  
(x12) | 10x18



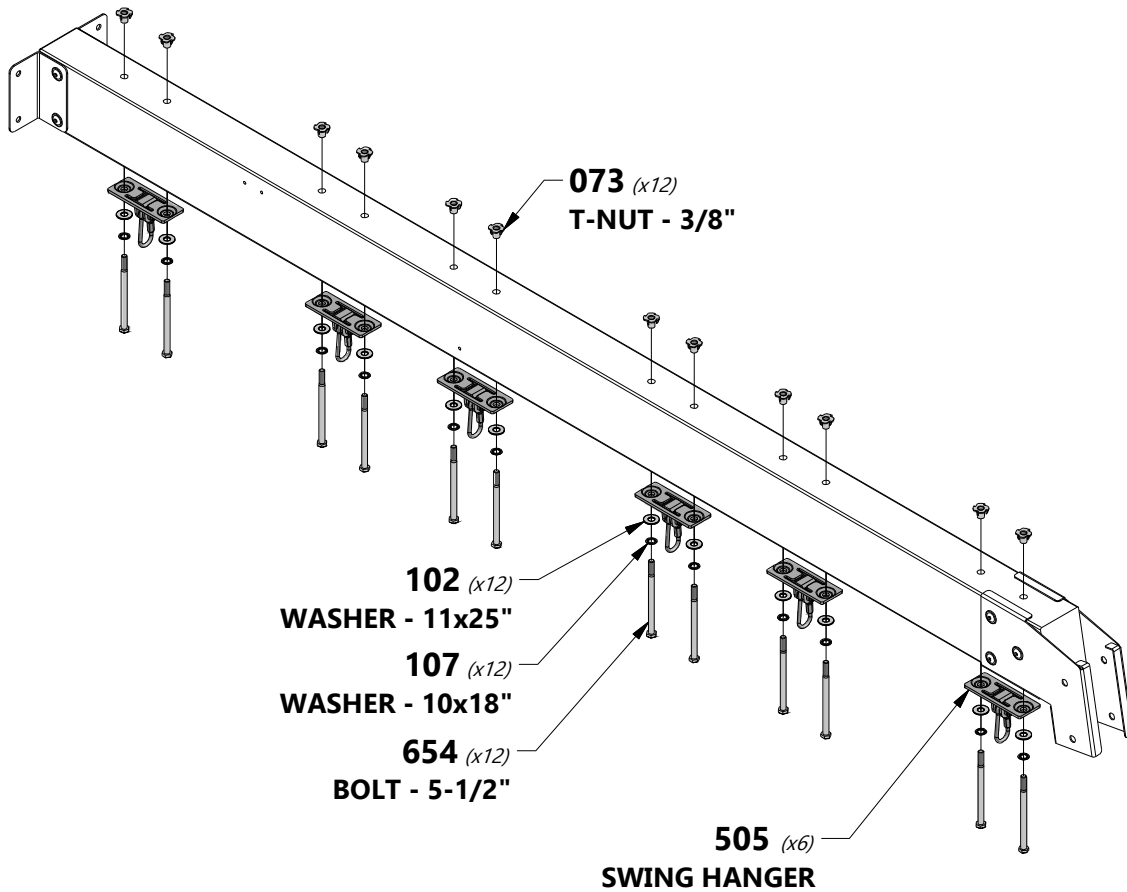
**H100102** | WASHER FLAT  
(x12) | 11x25

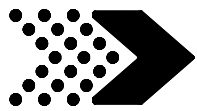


**H100073** | T-NUT  
(x12) | 3/8



**A4M00505** | SWINGER HANGER  
(x6)



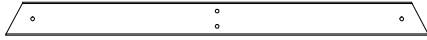


# SWING BEAM ASSEMBLY

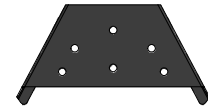
## STEP 3



**SP1** | SWING BEAM SUPPORT - W4L15647  
(x1) | 3 3/8"x3 3/8"x48 3/8" (86x86x1229)



**E50** | END SUPPORT - W4L15651  
(x1) | 1 3/8"x3 3/8"x44 1/8" (36x86x1120)



**A4M01169** | A-FRAME BRACKET  
(x1)



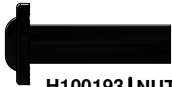
**H100415** | BOLT WH BLK  
(x2) | 5/16x3 3/4



**H100416** | BOLT WH BLK  
(x2) | 5/16x3



**H100199** | WASHER LOCK  
(x4) | EXT BLK  
12x19



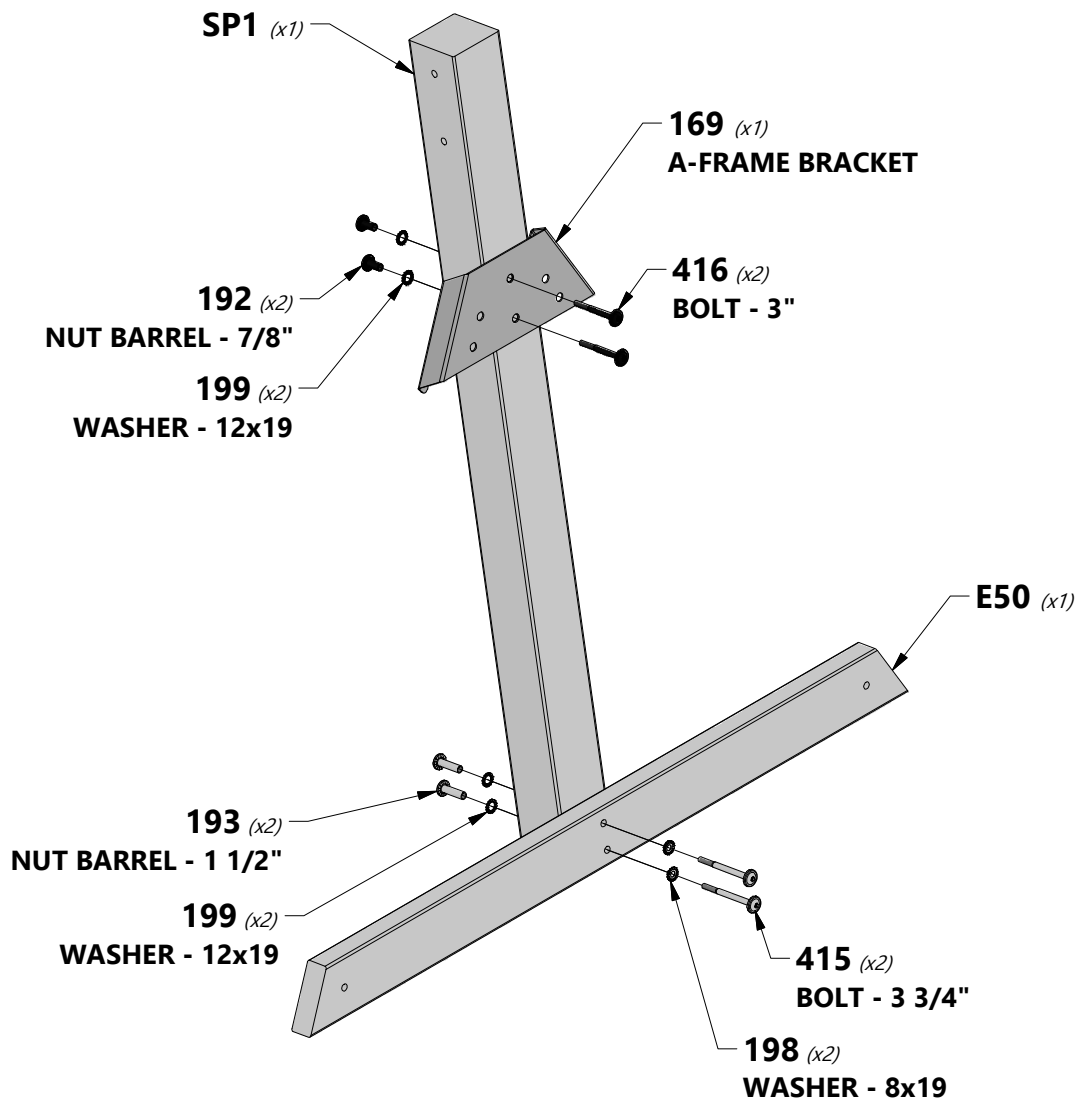
**H100193** | NUT BARREL WH BLK  
(x2) | 5/16x1-1/2

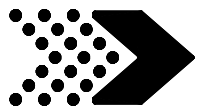


**H100192** | NUT BARREL WH BLK  
(x2) | 5/16x7/8



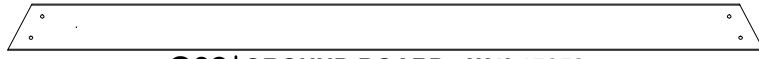
**H100198** | WASHER LOCK  
(x2) | EXT BLK  
8x19



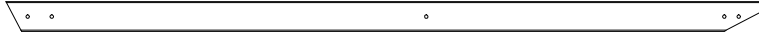


# SWING BEAM ASSEMBLY

## STEP 4



**G08** | GROUND BOARD - W4L15652  
(x1) | 1"x5 1/4"x86 3/4" (24x134x2202)



**E04** | ANGLE BRACE - W4L15649  
(x2) | 1 3/8"x3 3/8"x87 1/8" (36x86x2212)



**H100205** | BOLT WH BLK  
(x2) | 5/16x2-1/4



**H100457** | BOLT WH BLK  
(x4) | 5/16x2



**H100468** | BOLT WH BLK  
(x4) | 5/16x1



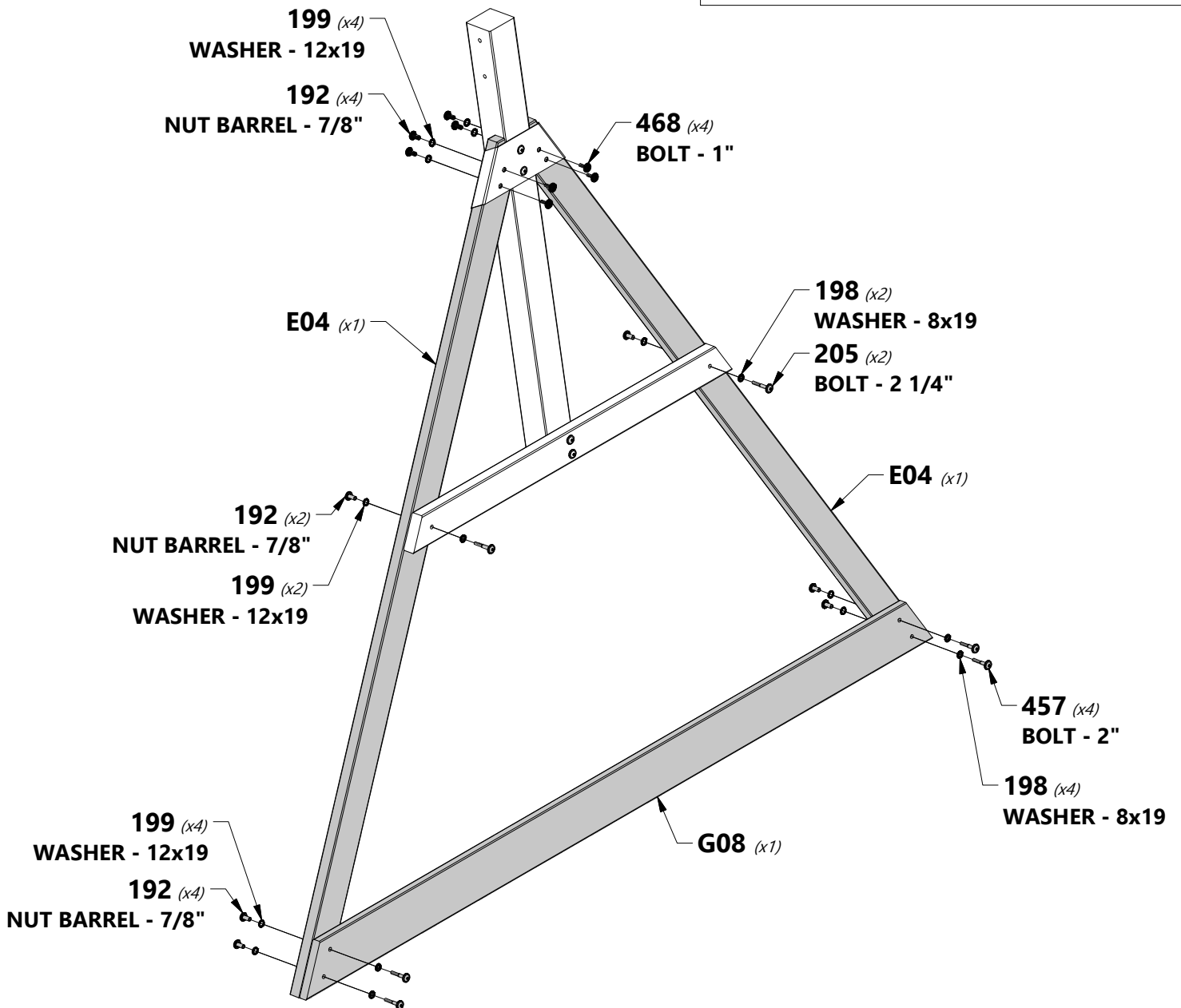
**H100192** | NUT BARREL WH BLK  
(x10) | 5/16x7/8

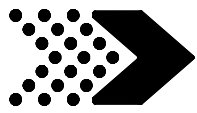


**H100199** | WASHER LOCK  
(x10) | EXT BLK  
12x19



**H100198** | WASHER LOCK  
(x6) | EXT BLK  
8x19





# SWING BEAM ASSEMBLY

# STEP 5



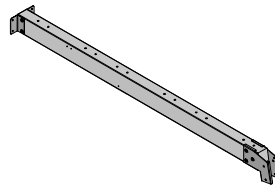
H100416 | BOLT WH BLK  
(x2) | 5/16x3



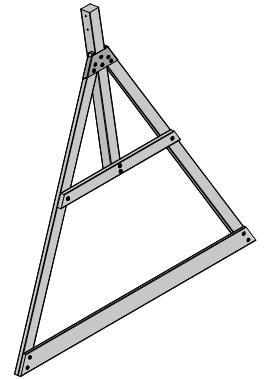
H100192 | NUT BARREL WH BLK  
(x2) | 5/16x7/8



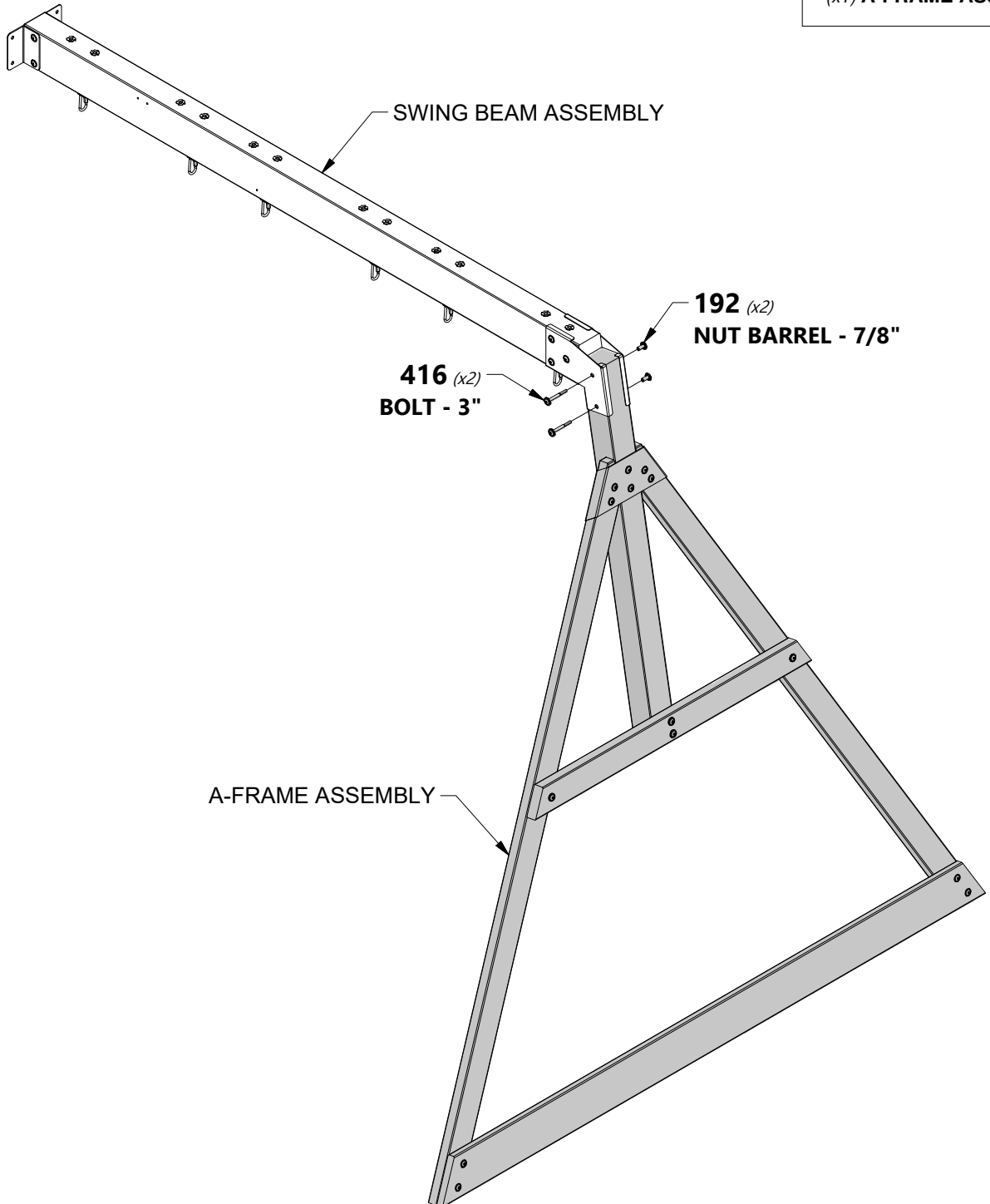
**NOTE:**  
TIGHTEN ALL SWING BEAM  
HARDWARE AT THIS TIME.

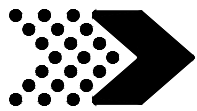


(x1) SWING BEAM ASSEMBLY



(x1) A-FRAME ASSEMBLY



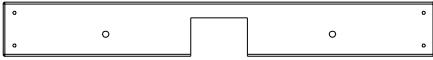


# CROWS NEST DECK ASSEMBLY

## STEP 1



**E07** | CROWS NEST FLOOR RAIL - W4L15712  
(x2) | 1 3/8"x3 3/8"x38" (36x86x964)



**H19** | CROWS NEST FLOOR RAIL - W4L14766  
(x1) | 1"x3 3/8"x27" (24x86x686)



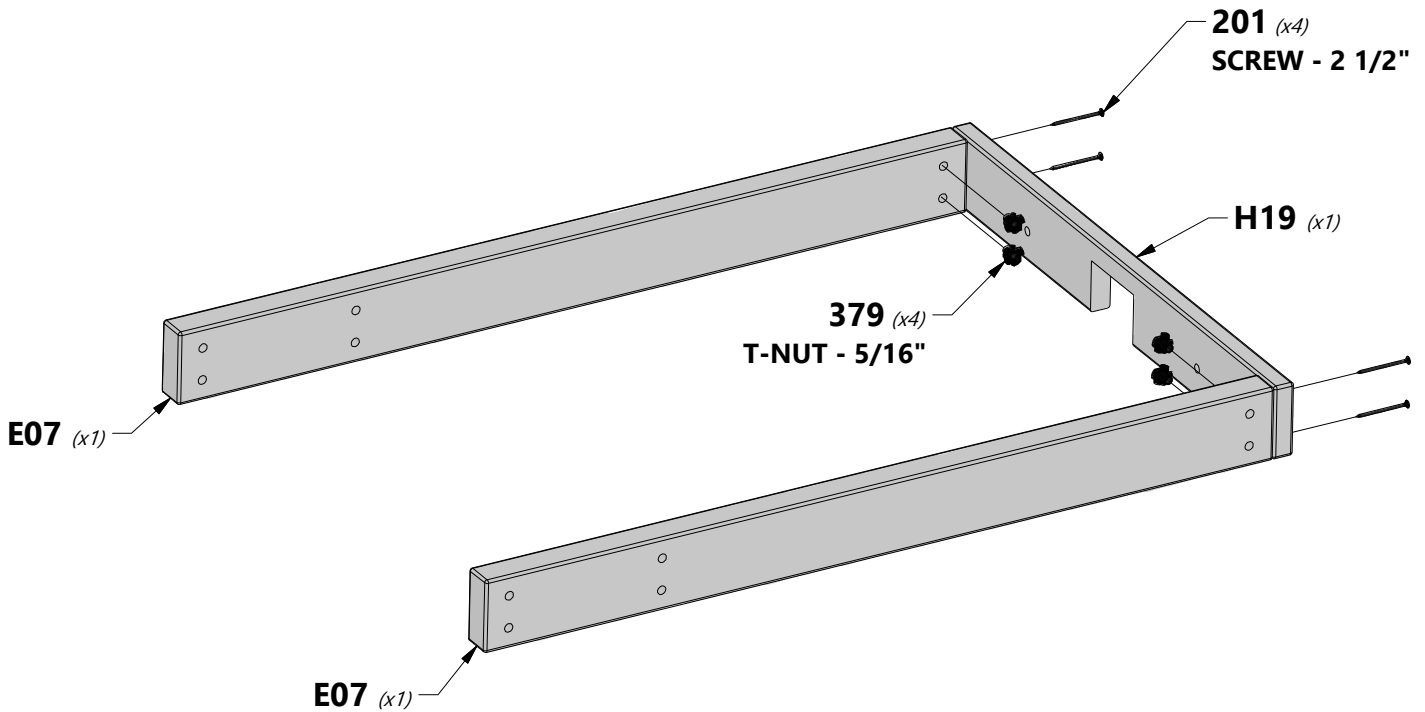
**H100201** | SCREW PFH BLK  
(x4) | 8x2-1/2

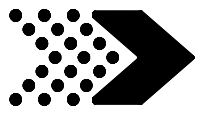


**H100379** | T-NUT BLK  
(x4) | 5/16



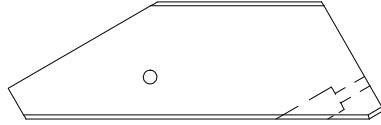
**NOTE:**  
ASSEMBLE T-NUTS INTO BOARDS  
BEFORE ASSEMBLY.





# CROWS NEST DECK ASSEMBLY

## STEP 2



**E06 | CROWS NEST DECK BRACE - W4L15451**  
(x2) | 1 7/16"x3 3/8"x10 7/8" (36x86x276)



**H100205 | BOLT WH BLK**  
(x2) | 5/16x2-1/4



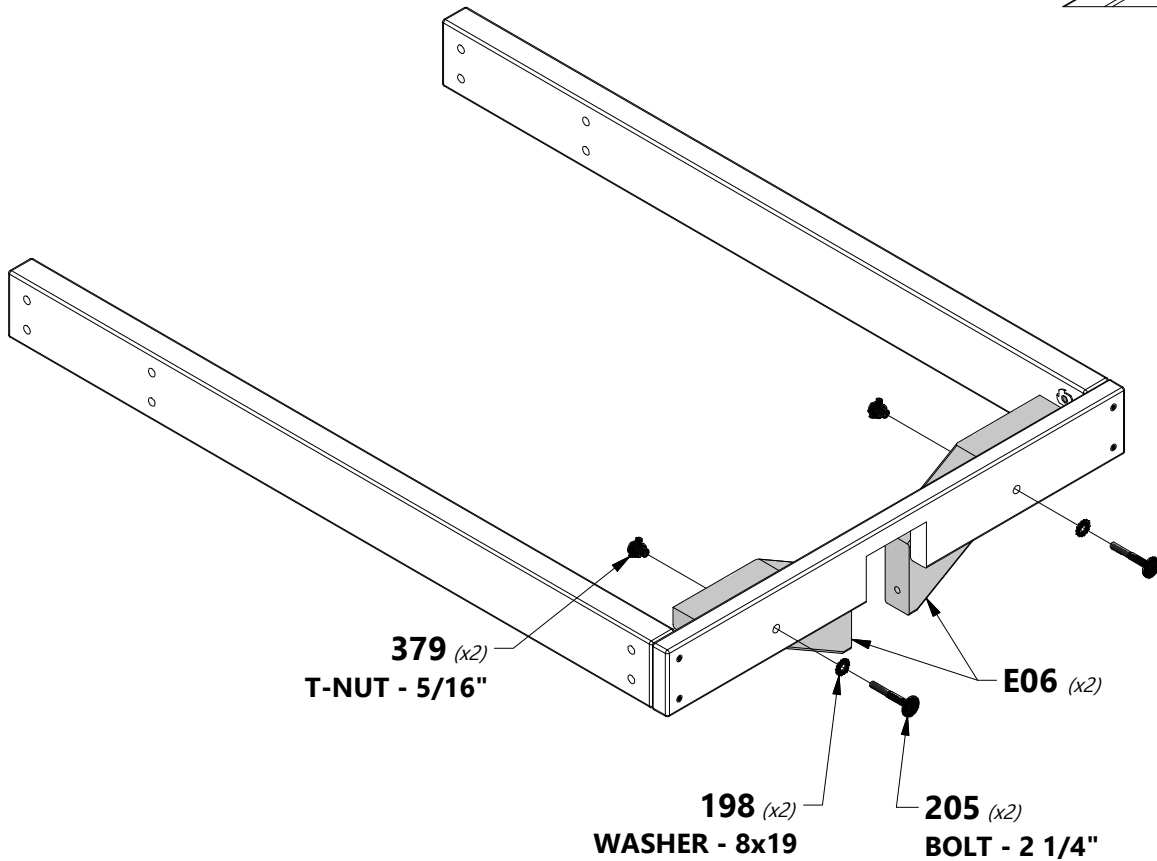
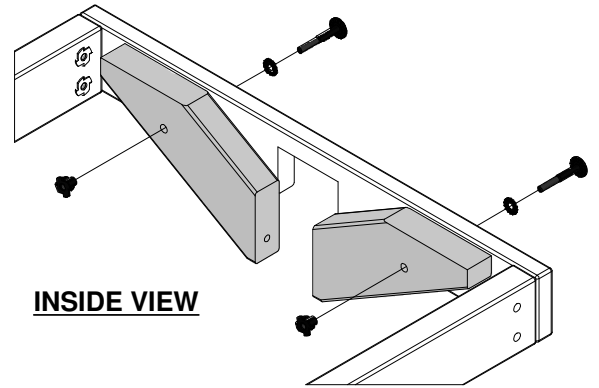
**H100379 | T-NUT BLK**  
(x2) | 5/16

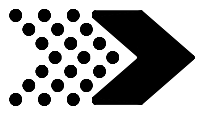


**H100198 | WASHER LOCK EXT BLK**  
(x2) | 8x19



**NOTE:**  
ASSEMBLE T-NUTS INTO BOARDS  
BEFORE ASSEMBLY.





# CROWS NEST DECK ASSEMBLY

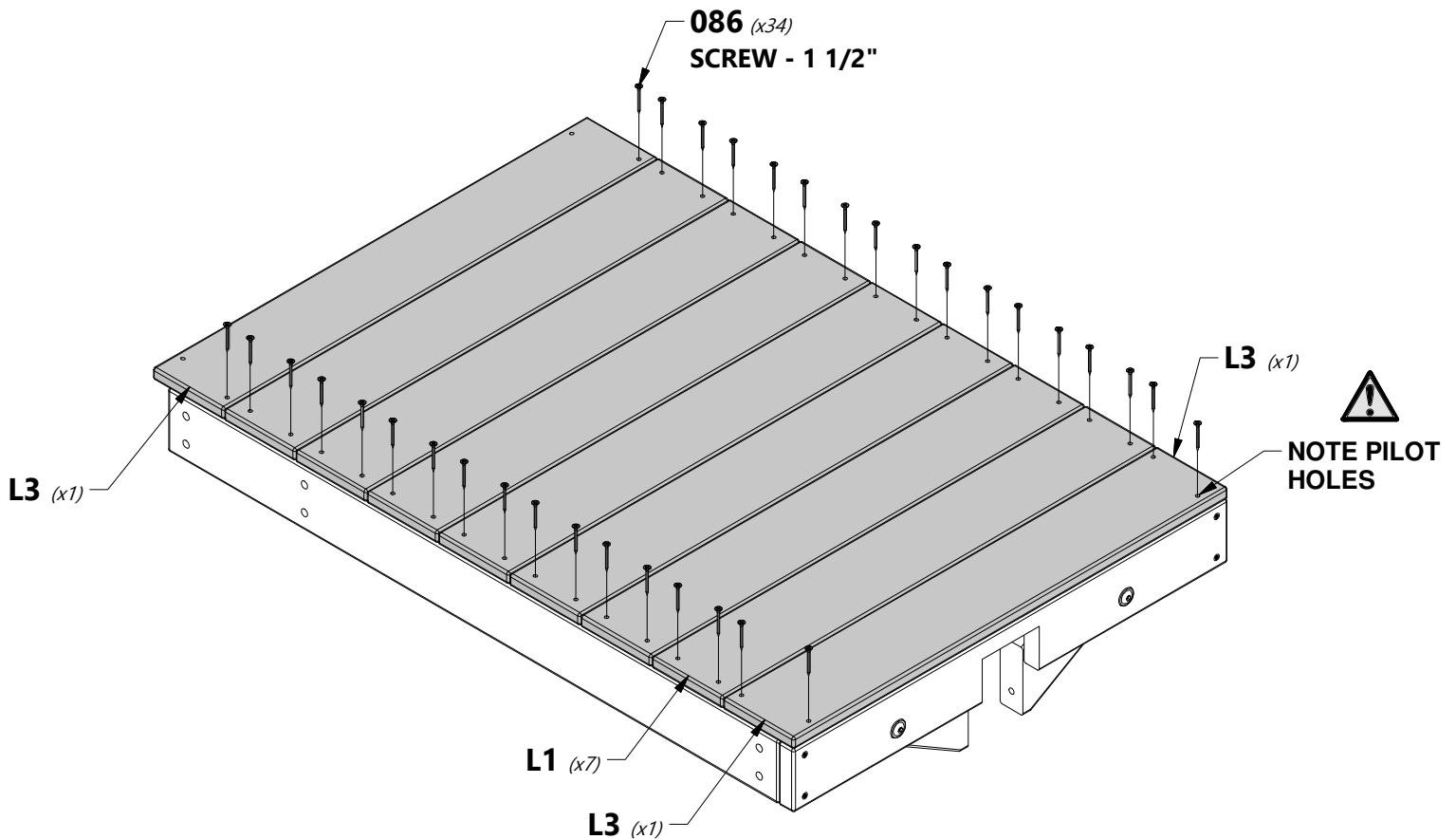
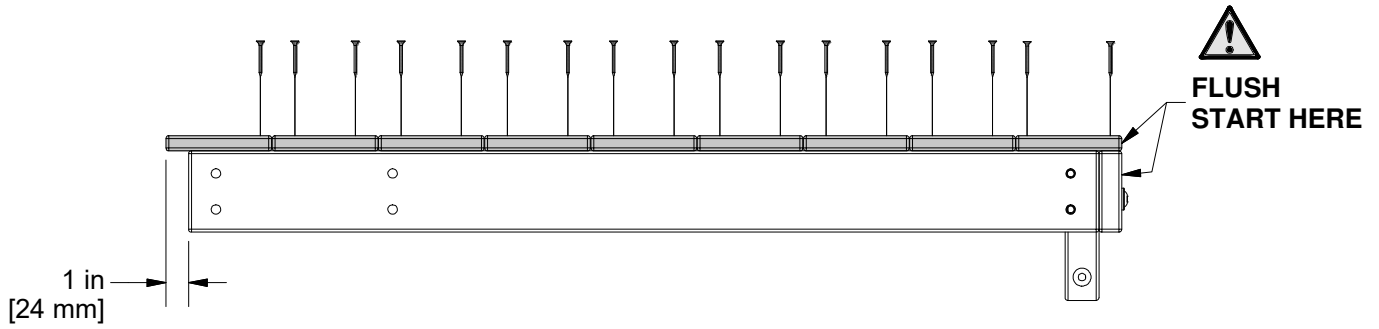
## STEP 3

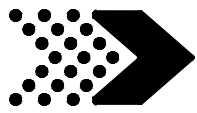
**L1** CROWS NEST FLOOR BOARD - W4L14787  
(x7) 5/8"x4 3/8"x27" (16x112x686)

**L3** CROWS NEST FLOOR BOARD - W4L15100  
(x2) 5/8"x4 3/8"x27" (16x112x686)



**H100086** SCREW PFH  
(x34) 8x1 1/2

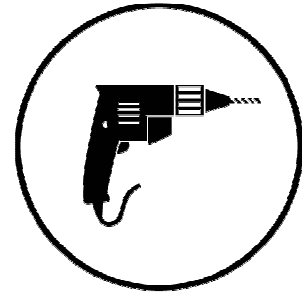
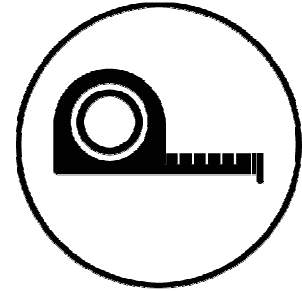
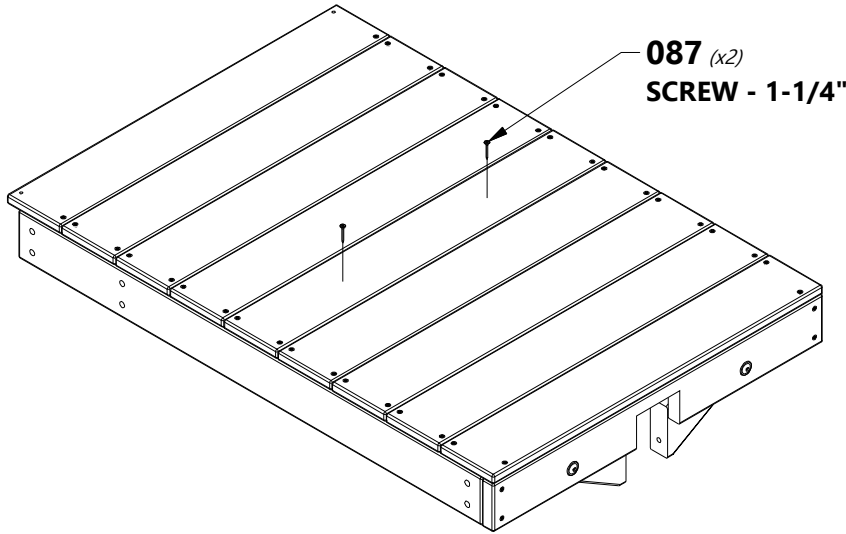




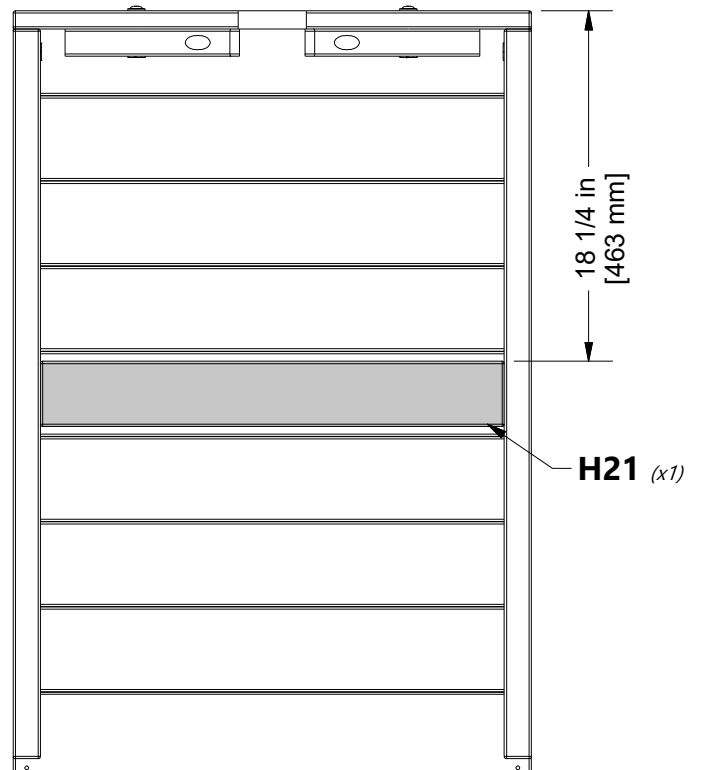
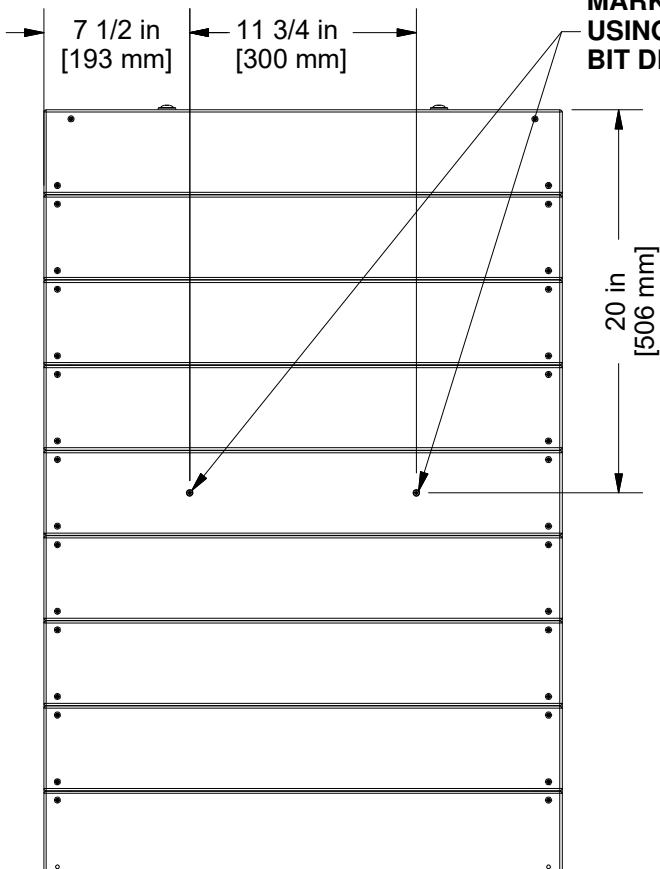
**H21 | CROWS NEST FLOOR SUPPORT - W4L14768**  
(x1) | 1"x3 3/8"x24 1/8" (24x86x614)



**H100087 | SCREW PFH**  
(x2) | 8x1 1/4



**MARK LOCATIONS SHOWN.  
USING AN 3/16" [5mm] DRILL  
BIT DRILL (2) PILOT HOLES.**





**B1** | TOWER LEG - W2A03275  
 (x1) | 3"x3"x89 1/2" (76x76x2274)

**B3** | TOWER LEG - W4L12682  
 (x1) | 3"x3"x59" (76x76x1500)

**E1** | TOWER LEG - W4L12688  
 (x1) | 1 3/8"x3 3/8"x59" (36x86x1500)

**G1** | TOP FLOOR RAIL - W4L14740  
 (x1) | 1"x5 1/4"x80" (24x134x2032)

**G7** | BOTTOM FLOOR RAIL - W4L14746  
 (x1) | 1"x5 1/4"x80" (24x134x2032)



**H100415** | BOLT WH BLK  
 (x8) | 5/16x3 3/4



**H100205** | BOLT WH BLK  
 (x4) | 5/16x2-1/4

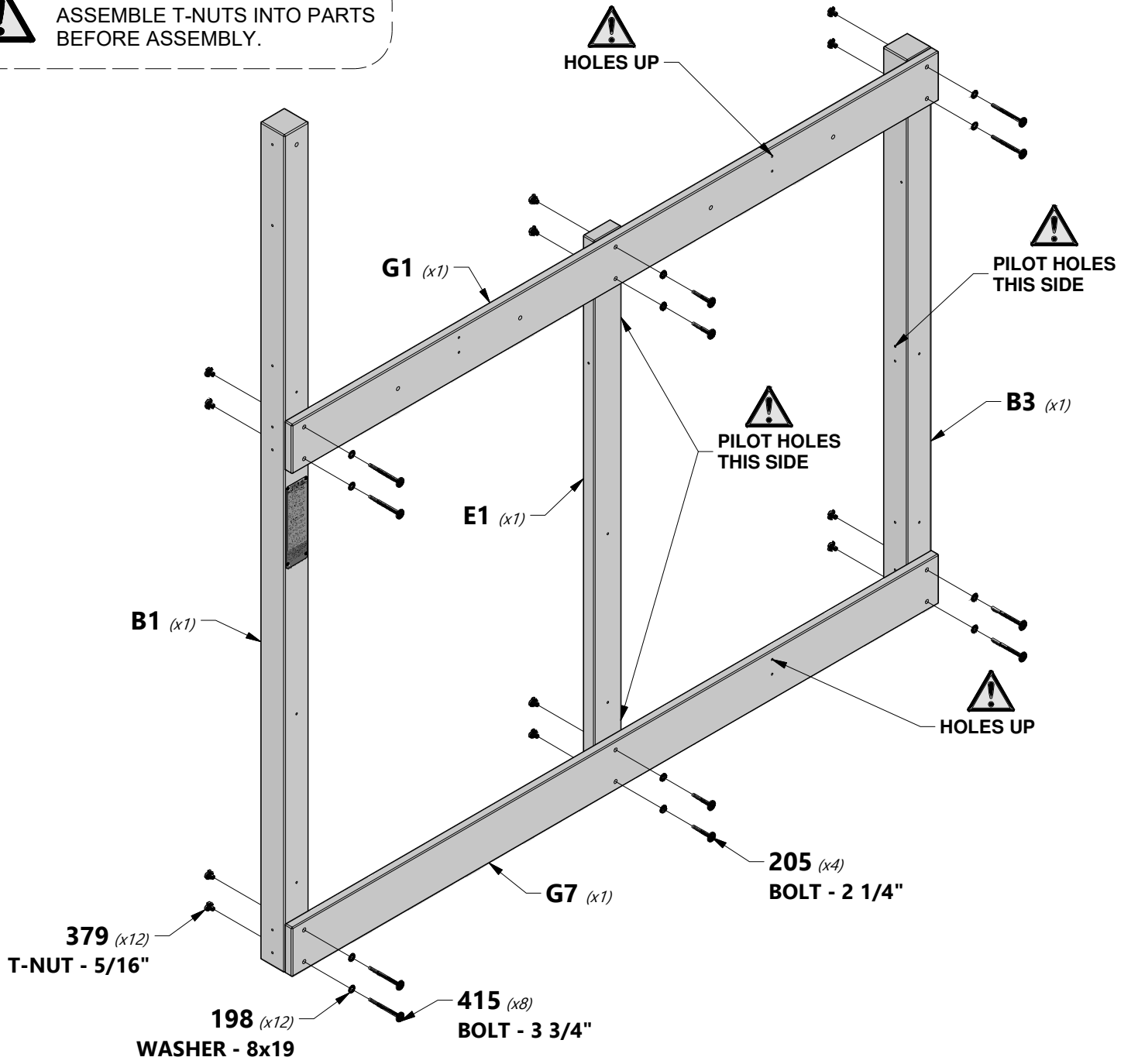


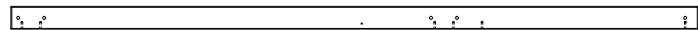
**H100198** | WASHER LOCK EXT BLK  
 (x12) | 8x19



**H100379** | T-NUT BLK  
 (x12) | 5/16

**NOTE:**  
 ASSEMBLE T-NUTS INTO PARTS  
 BEFORE ASSEMBLY.

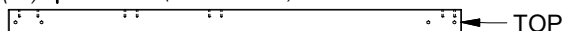




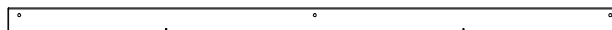
**B2** | TOWER LEG - W4L15731  
(x1) | 3"x3"x89 1/2" (76x76x2274)



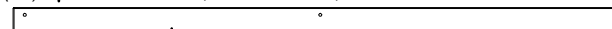
**B4** | TOWER LEG - W4L12683  
(x1) | 3"x3"x59" (76x76x1500)



**E2** | TOWER LEG - W4L14727  
(x1) | 1 3/8"x3 3/8"x59" (36x86x1500)



**G2** | TOP FLOOR RAIL - W4L14741  
(x1) | 1"x5 1/4"x80" (24x134x2032)



**G7** | BOTTOM FLOOR RAIL - W4L14746  
(x1) | 1"x5 1/4"x80" (24x134x2032)



**H100415** | BOLT WH BLK  
(x8) | 5/16x3 3/4



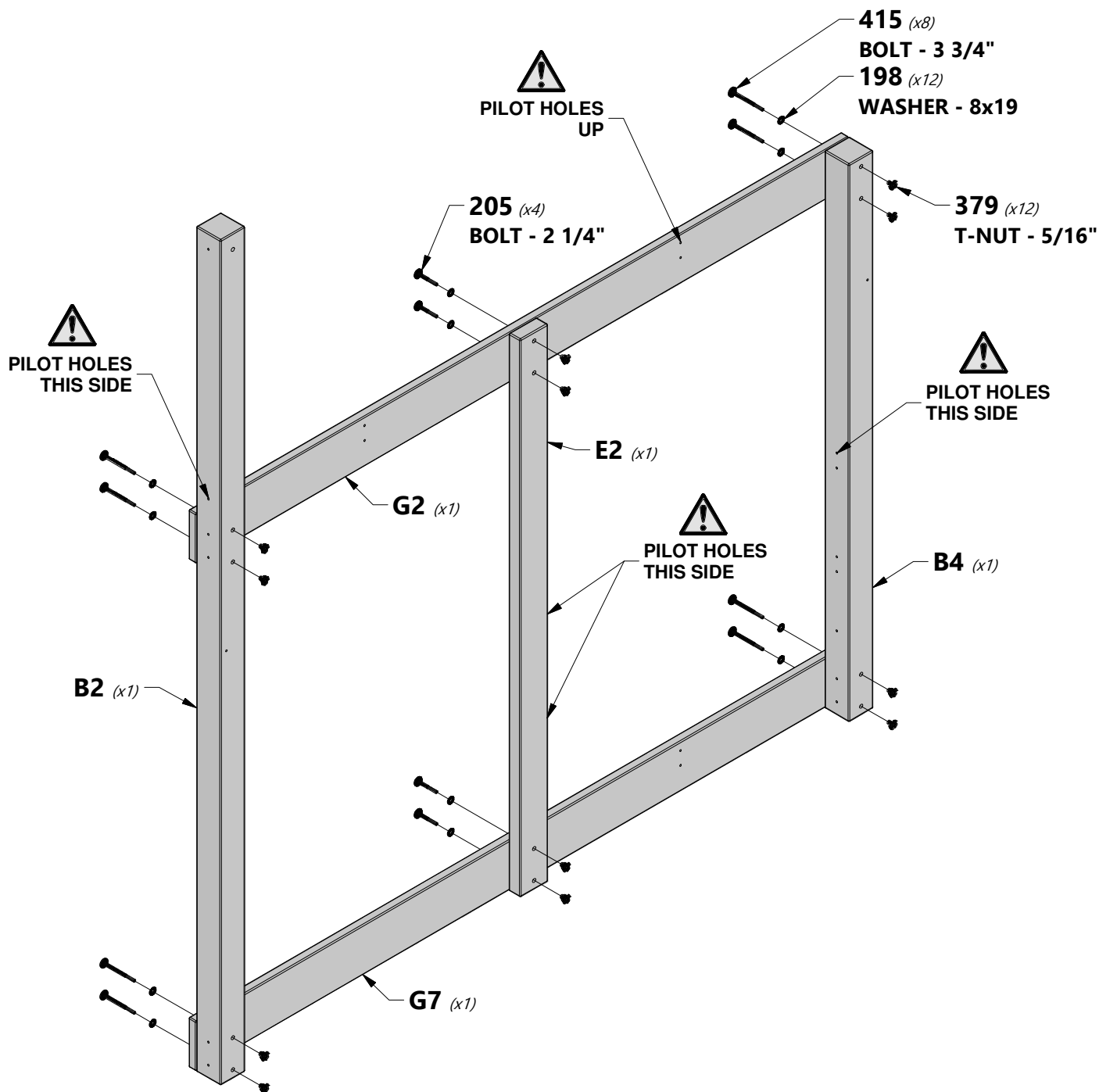
**H100205** | BOLT WH BLK  
(x4) | 5/16x2-1/4



**H100198** | WASHER LOCK EXT BLK  
(x12) | 8x19



**H100379** | T-NUT BLK  
(x12) | 5/16





**H28** | FRONT WALL RAIL - W4L14774  
(x1) | 1"x3 3/8"x60 1/2" (24x86x1537)



**G6** | FLOOR RAIL - W4L14745  
(x1) | 1"x5 1/4"x60 1/2" (24x134x1537)



**G3** | FLOOR RAIL - W4L16849  
(x1) | 1"x5 1/4"x60 1/2" (24x134x1537)



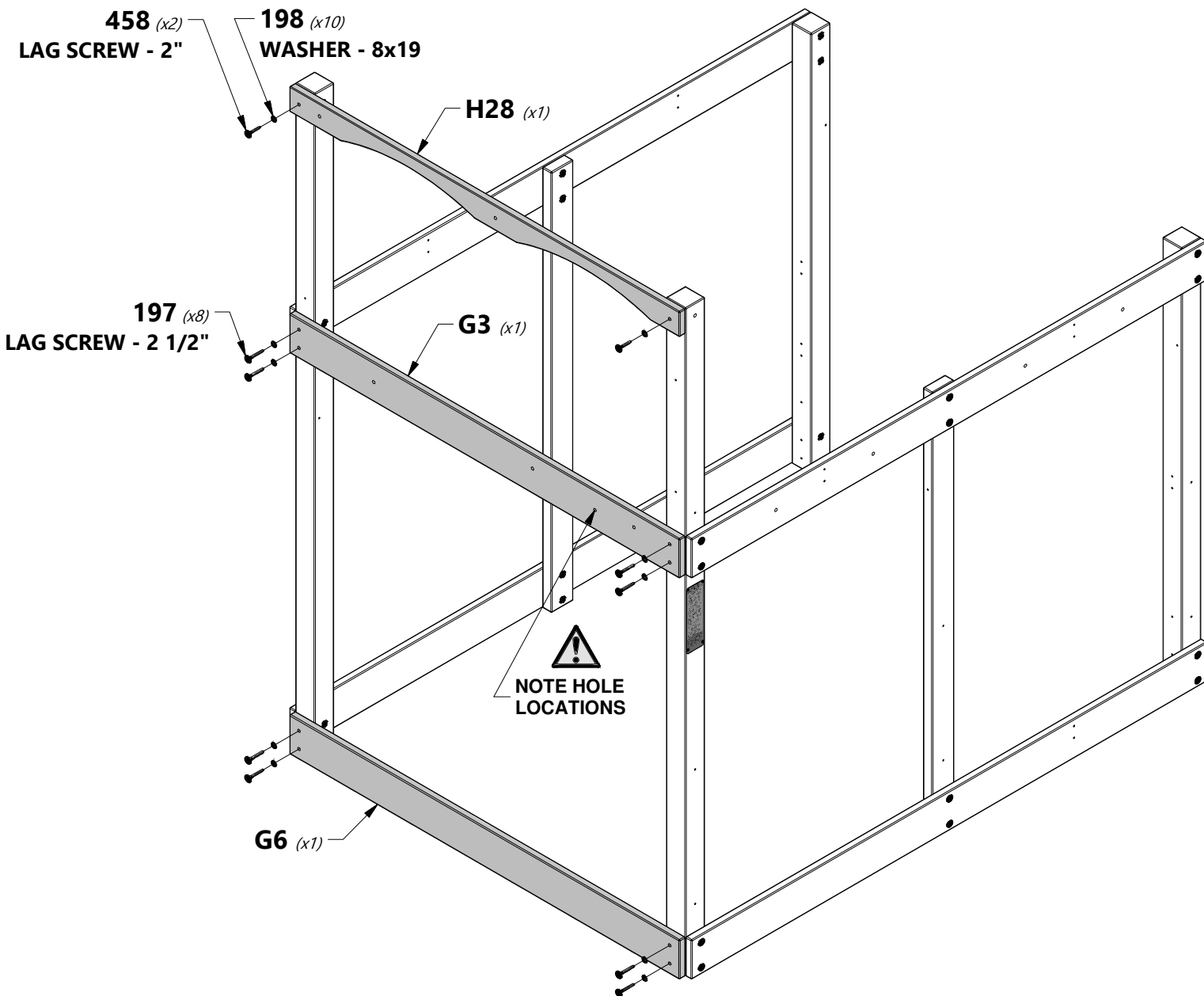
**H100197** | LAG SCREW WH BLK  
(x8) | 5/16x2 1/2



**H100458** | LAG SCREW WH BLK  
(x2) | 5/16x2



**H100198** | WASHER LOCK EXT BLK  
(x10) | 8x19





**G4** | FLOOR RAIL - W4L14743  
(x1) | 1"x5 1/4"x60 1/2" (24x134x1537)



**K2** | FLOOR RAIL - W4L14783  
(x1) | 5/8"x5 1/4"x60 1/2" (16x134x1537)



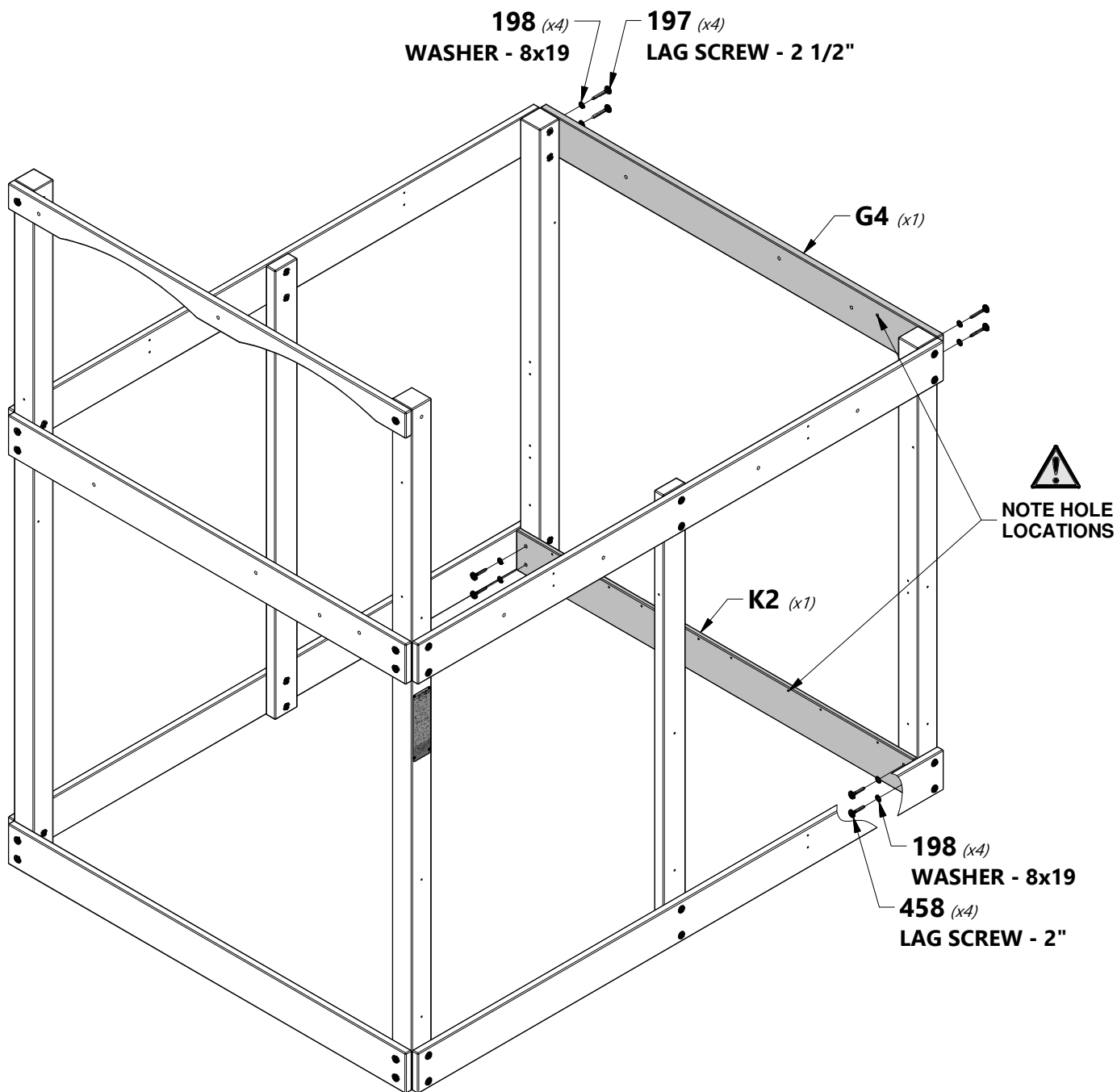
**H100197** | LAG SCREW WH BLK  
(x4) | 5/16x2 1/2

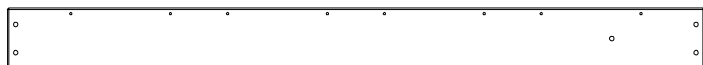


**H100458** | LAG SCREW WH BLK  
(x4) | 5/16x2

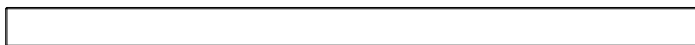


**H100198** | WASHER LOCK EXT BLK  
(x8) | 8x19





**K3** | FLOOR RAIL - W4L14784  
(x1) | 5/8"x5 1/4"x60 1/2" (16x134x1537)



**H26** | FLOOR JOIST - W4L14772  
(x1) | 1"x3 3/8"x60 1/2" (24x86x1537)



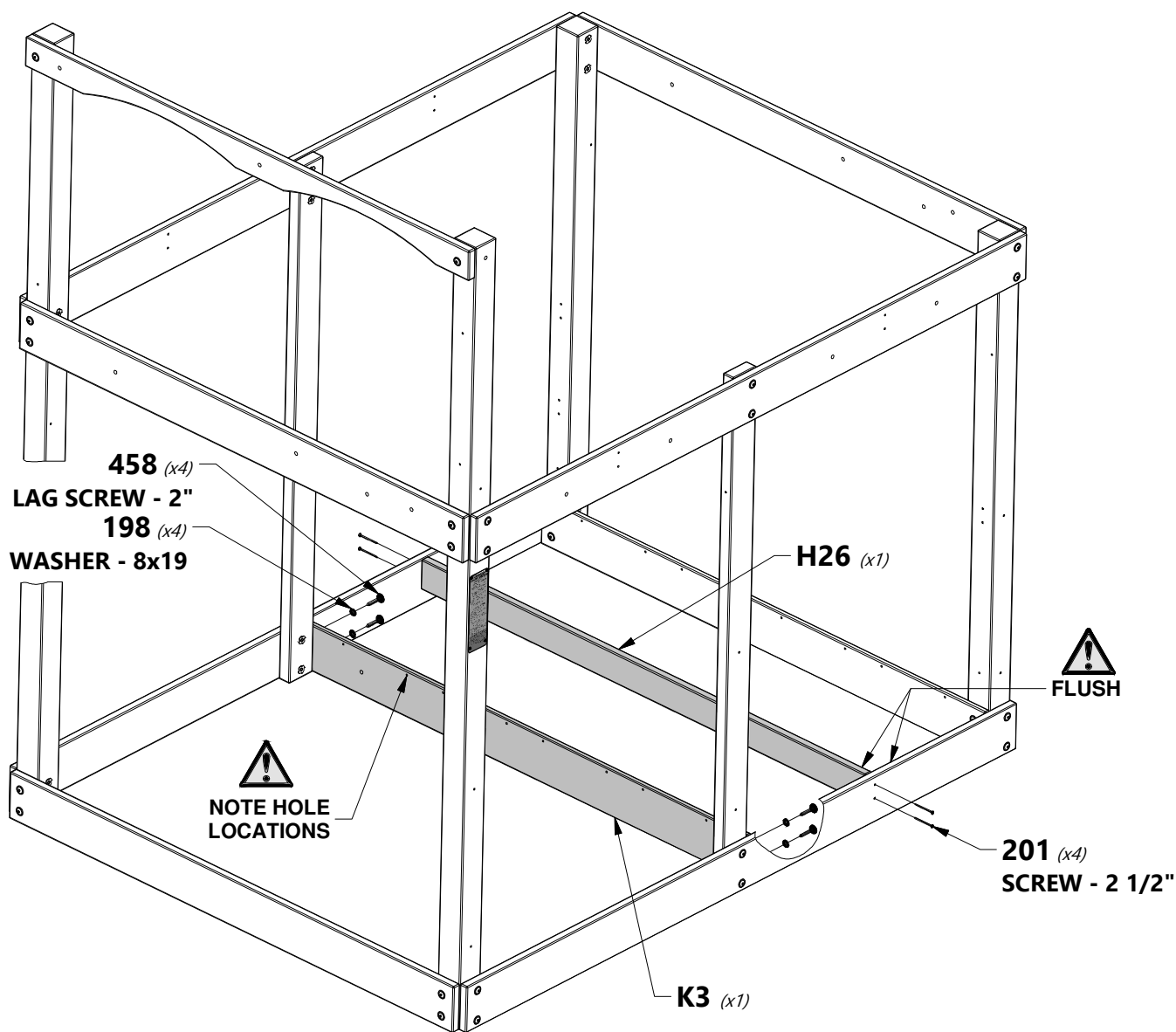
**H100201** | SCREW PFH BLK  
(x4) | 8x2-1/2

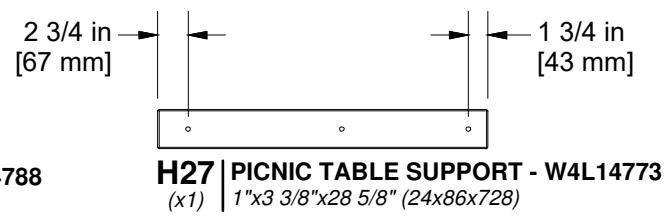
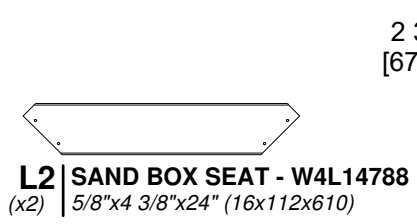
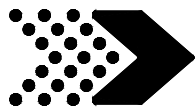


**H100458** | LAG SCREW WH BLK  
(x4) | 5/16x2



**H100198** | WASHER LOCK EXT BLK  
(x4) | 8x19





**H100407** BOLT WH BLK  
(x1) 5/16x1 1/2



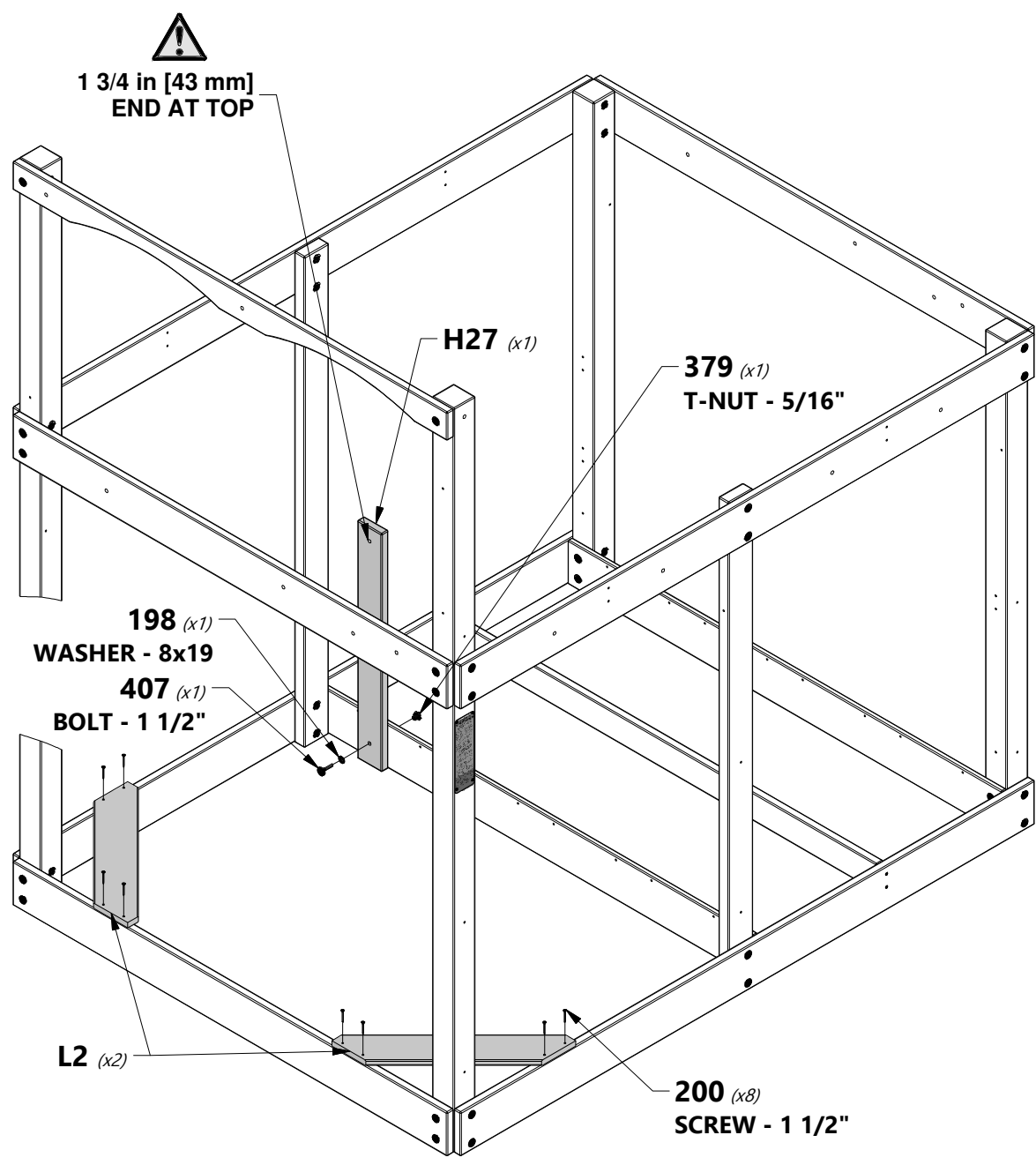
**H100198** WASHER LOCK EXT BLK  
(x1) 8x19

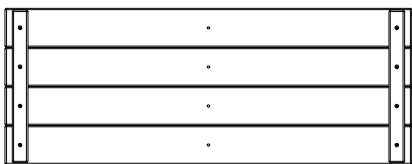


**H100379** T-NUT BLK  
(x1) 5/16

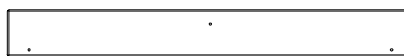


**H100200** SCREW PFH BLK  
(x8) 8x1 1/2





**FP1** | **BOTTOM FLOOR PANEL - W2A03140**  
(x4) | 1 5/8"x13 1/2"x35 3/8" (40x344x897)



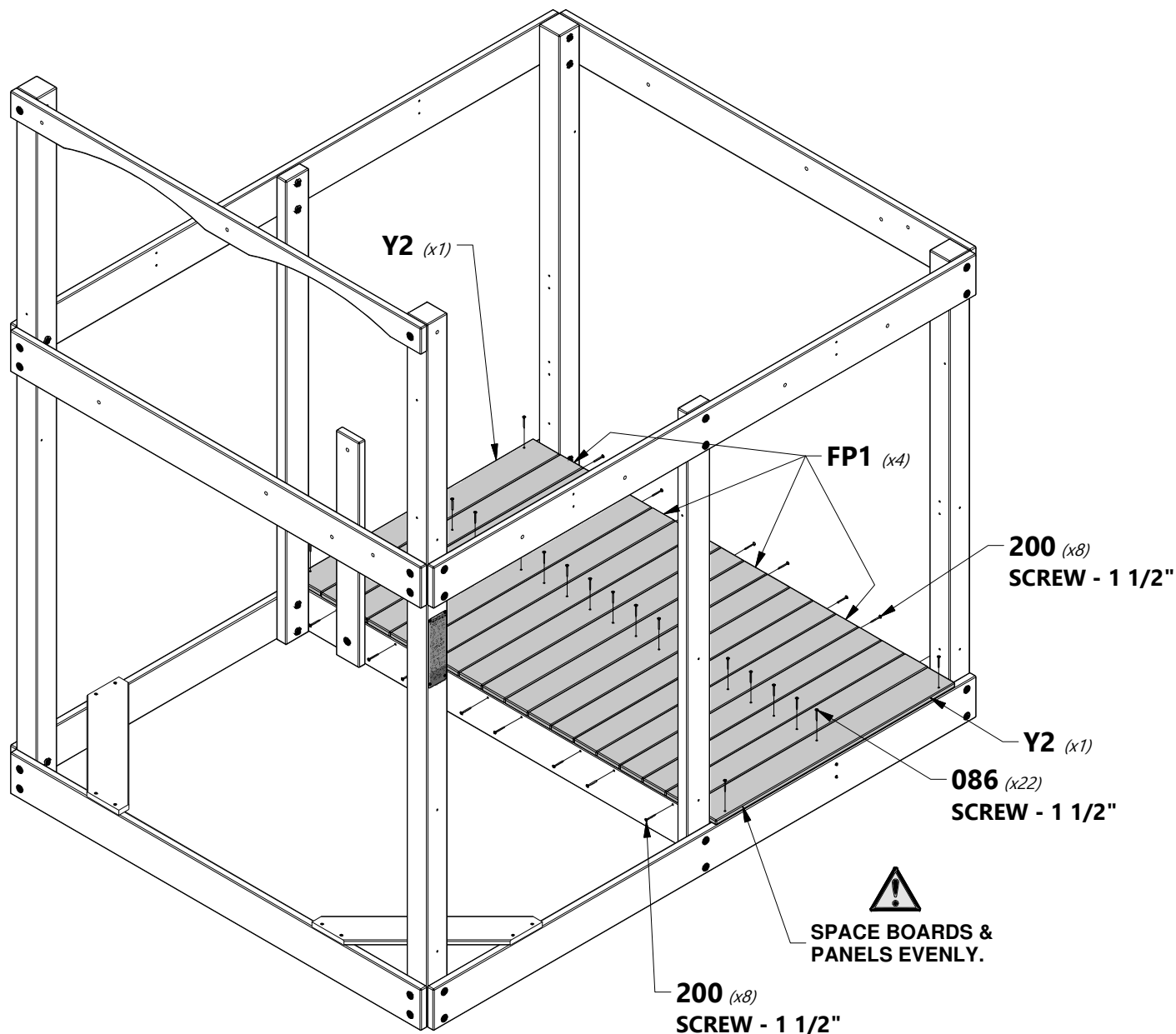
**Y2** | **BOTTOM FLOOR BOARD - W4L14840**  
(x2) | 5/8"x4"x35 1/4" (16x102x895)



**H100086** | **SCREW PFH**  
(x22) | 8x1 1/2



**H100200** | **SCREW PFH BLK**  
(x16) | 8x1 1/2





**H3** | PICNIC TABLE RAIL - W4L14750  
(x1) | 1"x3 3/8"x67 1/4" (24x86x1708)



**M3** | BOTTOM WALL RAIL - W4L14791  
(x1) | 5/8"x3 3/8"x60 1/2" (16x86x1537)



**H100197** | LAG SCREW WH BLK  
(x4) | 5/16x2 1/2



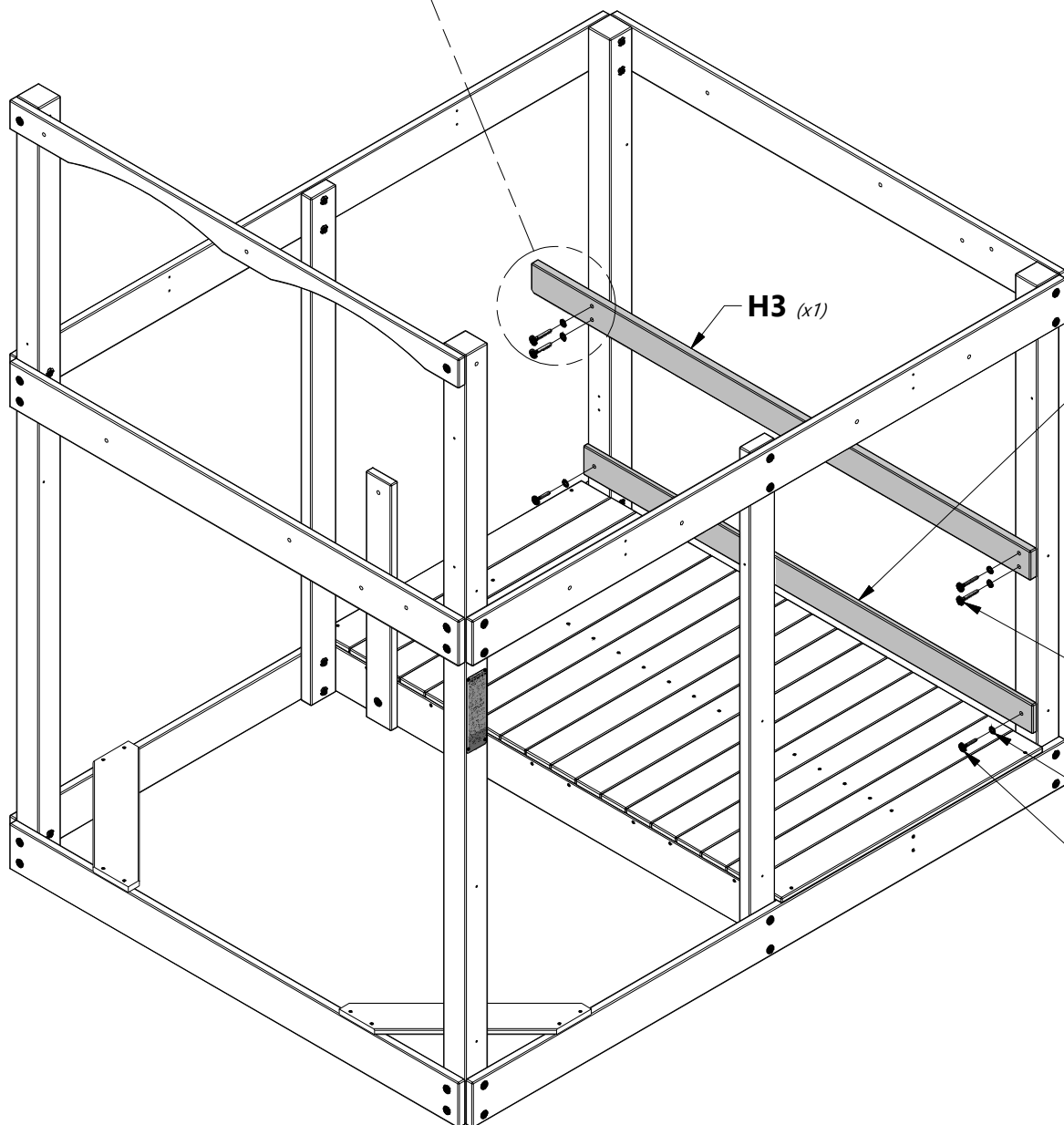
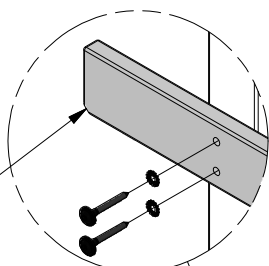
**H100458** | LAG SCREW WH BLK  
(x2) | 5/16x2



**H100198** | WASHER LOCK EXT BLK  
(x6) | 8x19



NOTE ANGLE CUT  
FACES DOWNWARD



**M3** (x1)

**197** (x4)  
LAG SCREW - 2 1/2"

**198** (x6)  
WASHER - 8x19

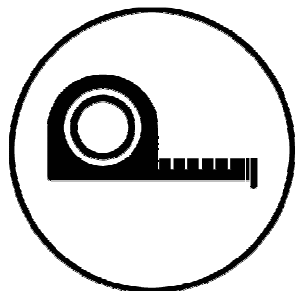
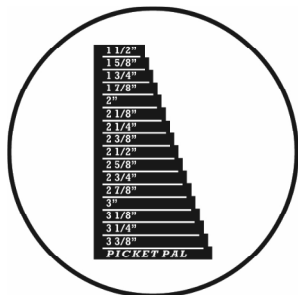
**458** (x2)  
LAG SCREW - 2"



**M27** | BOTTOM WALL BOARD - W4L15711  
(x8) | 5/8"x3 3/8"x21 1/8" (16x86x538)

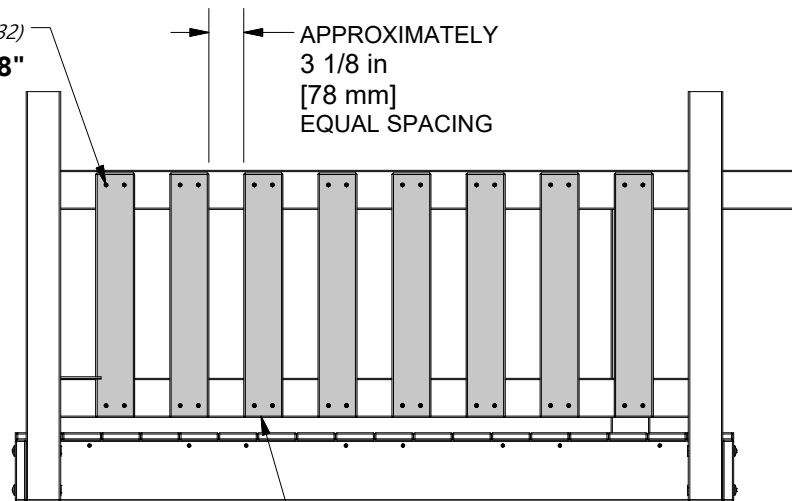


**H100088** | SCREW PFH  
(x32) | 8x1 1/8

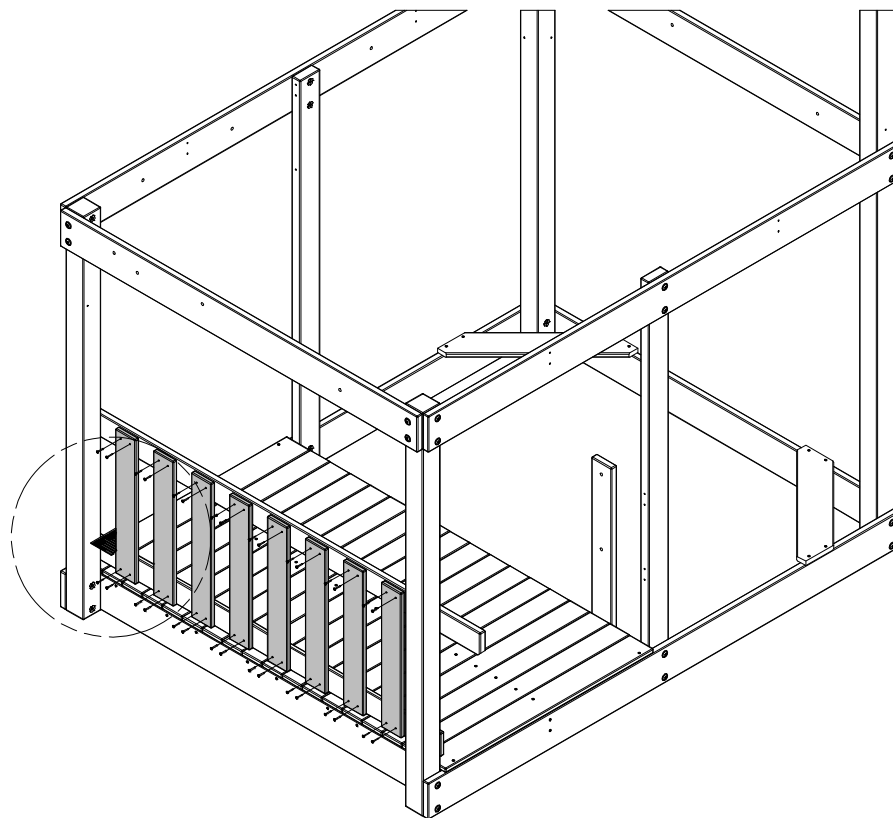
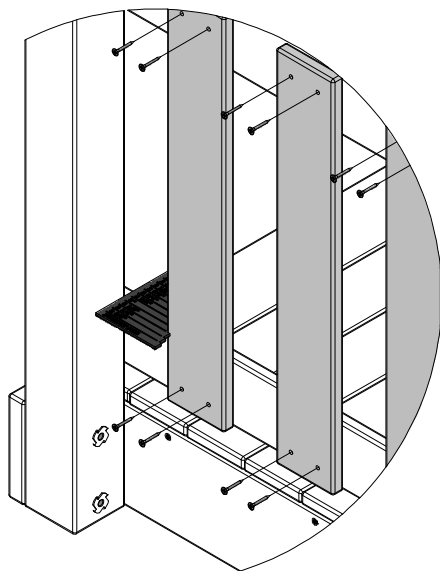


**088** (x32)  
SCREW - 1 1/8"

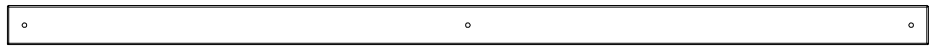
← → APPROXIMATELY  
3 1/8 in  
[78 mm]  
EQUAL SPACING



**M27** (x8)  
FLUSH BOTTOM EDGES



**TIP:**  
PLACE THE FLAT EDGE OF THE PICKET PAL AGAINST THE EDGE OF AN ALREADY INSTALLED PART. INSTALL THE PICKET AT THE REQUIRED DISTANCE AND REPEAT PROCESS UNTIL COMPLETED.



**M2** | BOTTOM WALL RAIL - W4L14790  
(x2) | 5/8"x3 3/8"x80" (16x86x2032)



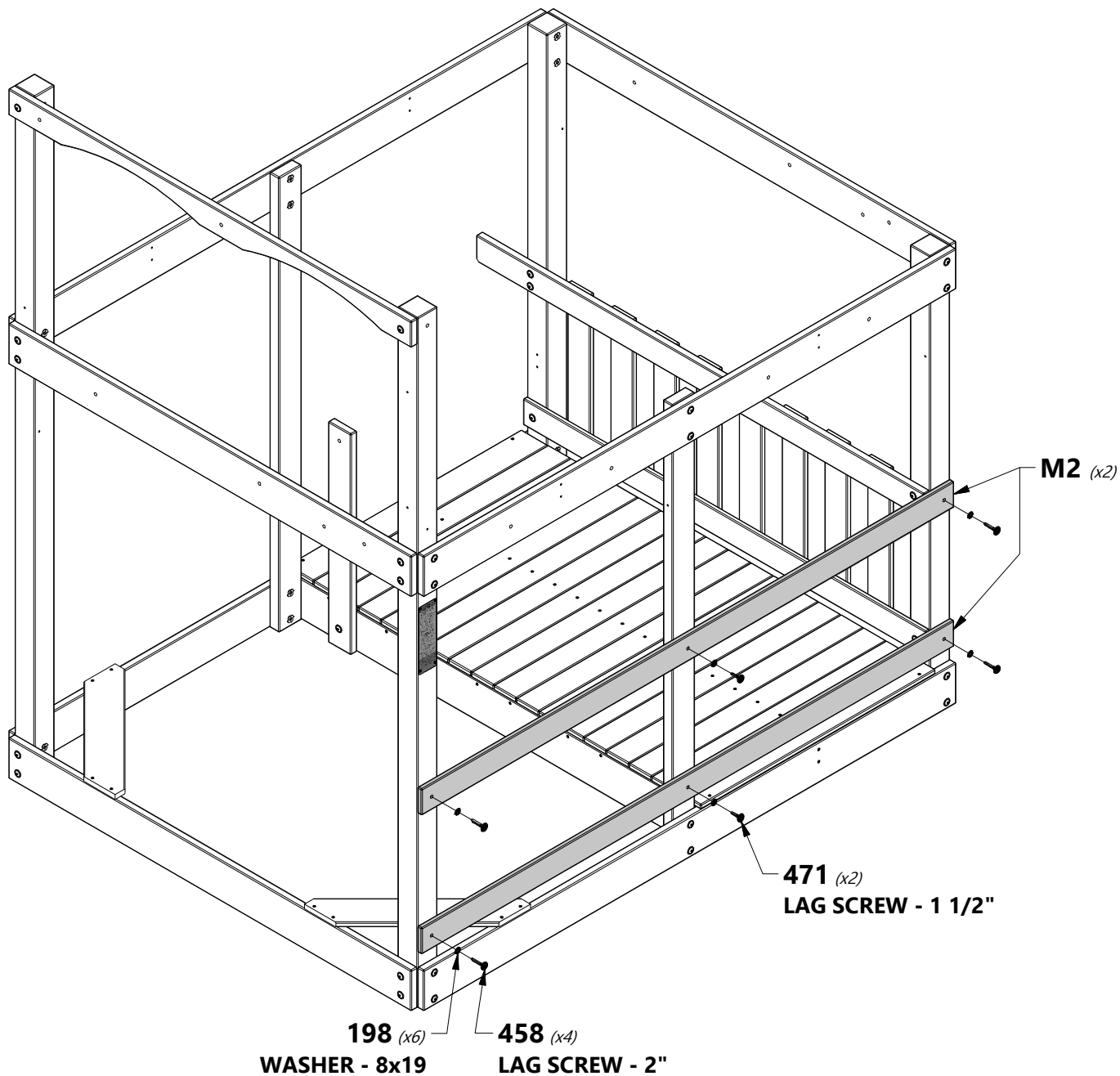
**H100458** | LAG SCREW WH BLK  
(x4) | 5/16x2



**H100471** | LAG SCREW WH BLK  
(x2) | 5/16x1 1/2



**H100198** | WASHER LOCK EXT BLK  
(x6) | 8x19



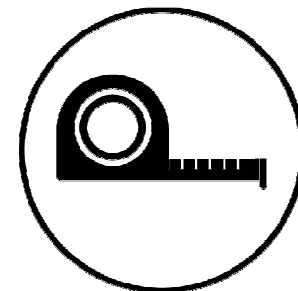
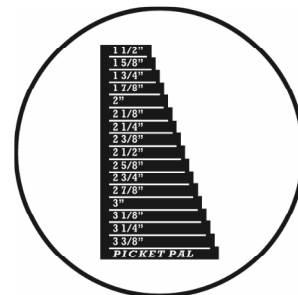
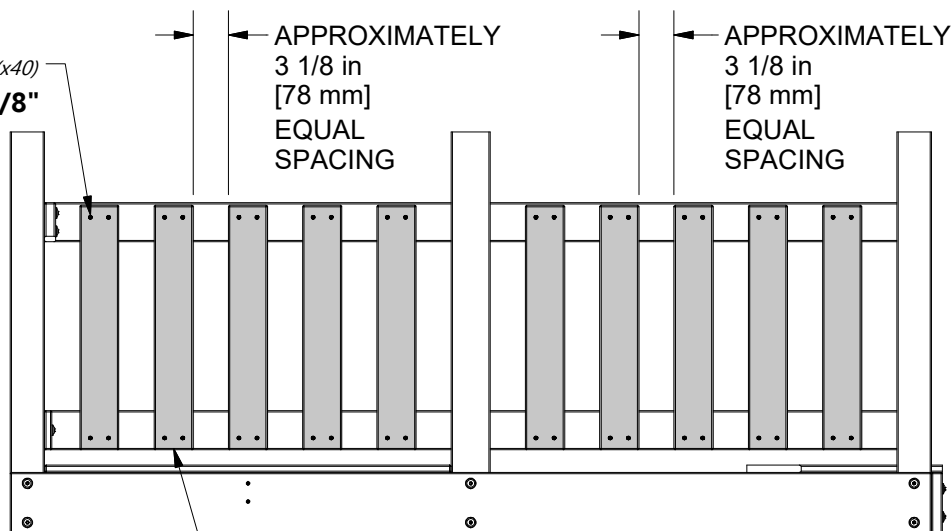


**M27** | **BOTTOM WALL BOARD - W4L15711**  
(x10) | 5/8"x3 3/8"x21 1/8" (16x86x538)

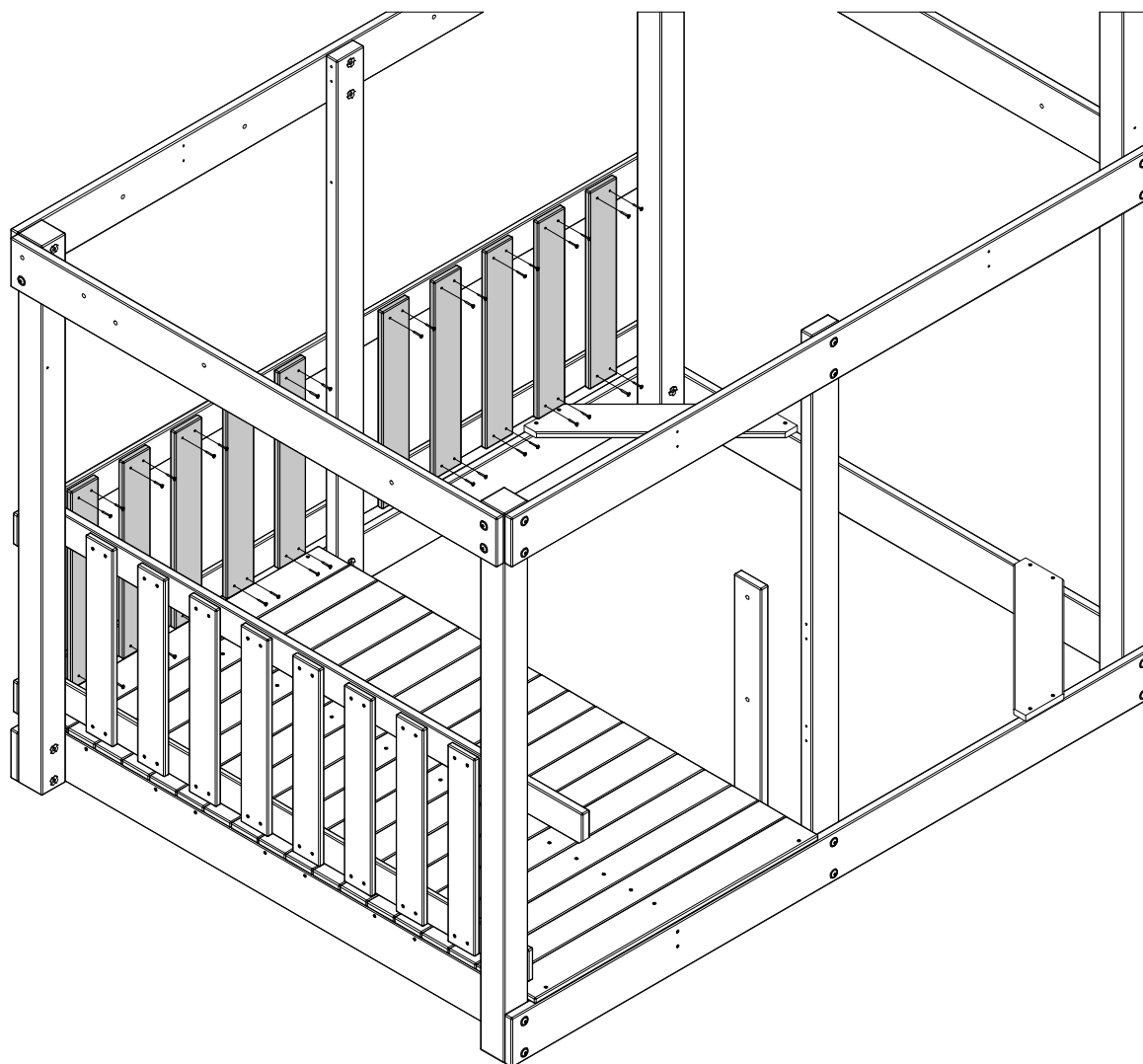


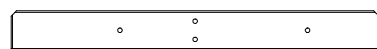
**H100088** | **SCREW PFH**  
(x40) | 8x1 1/8

**088** (x40)  
**SCREW - 1 1/8"**



**M27** (x10)  
**FLUSH BOTTOM EDGES**





**H16** | PICNIC TABLE SEAT RAIL - W4L14763  
(x1) | 1"x3 3/8"x32" (24x86x812)



**H23** | PICNIC TABLE BRACE - W4L14769  
(x1) | 1"x3 3/8"x17 1/2" (24x86x444)



**H100197** | LAG SCREW WH BLK  
(x2) | 5/16x2 1/2



**H100378** | BOLT WH BLK  
(x1) | 5/16x1 3/4



**H100407** | BOLT WH BLK  
(x1) | 5/16x1 1/2



**H100487** | LAG SCREW WH BLK  
(x1) | 1/4x2



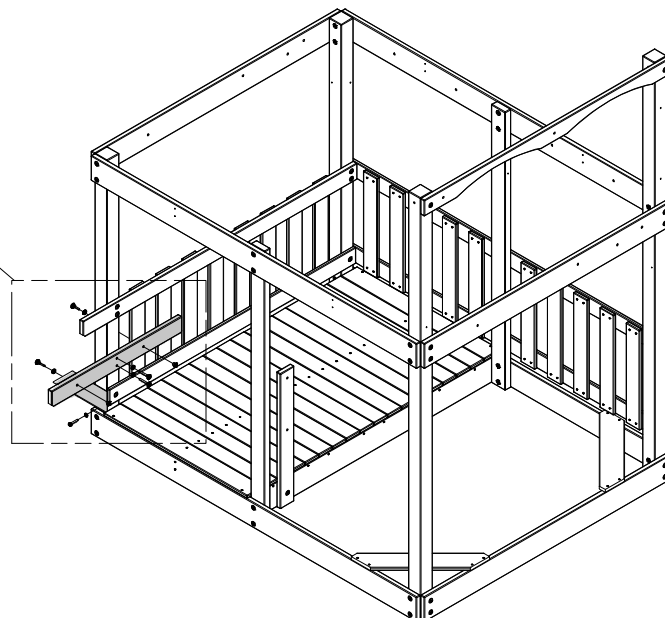
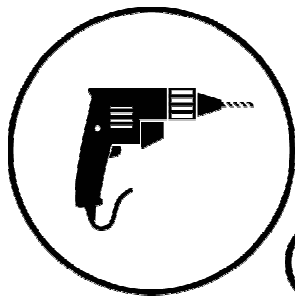
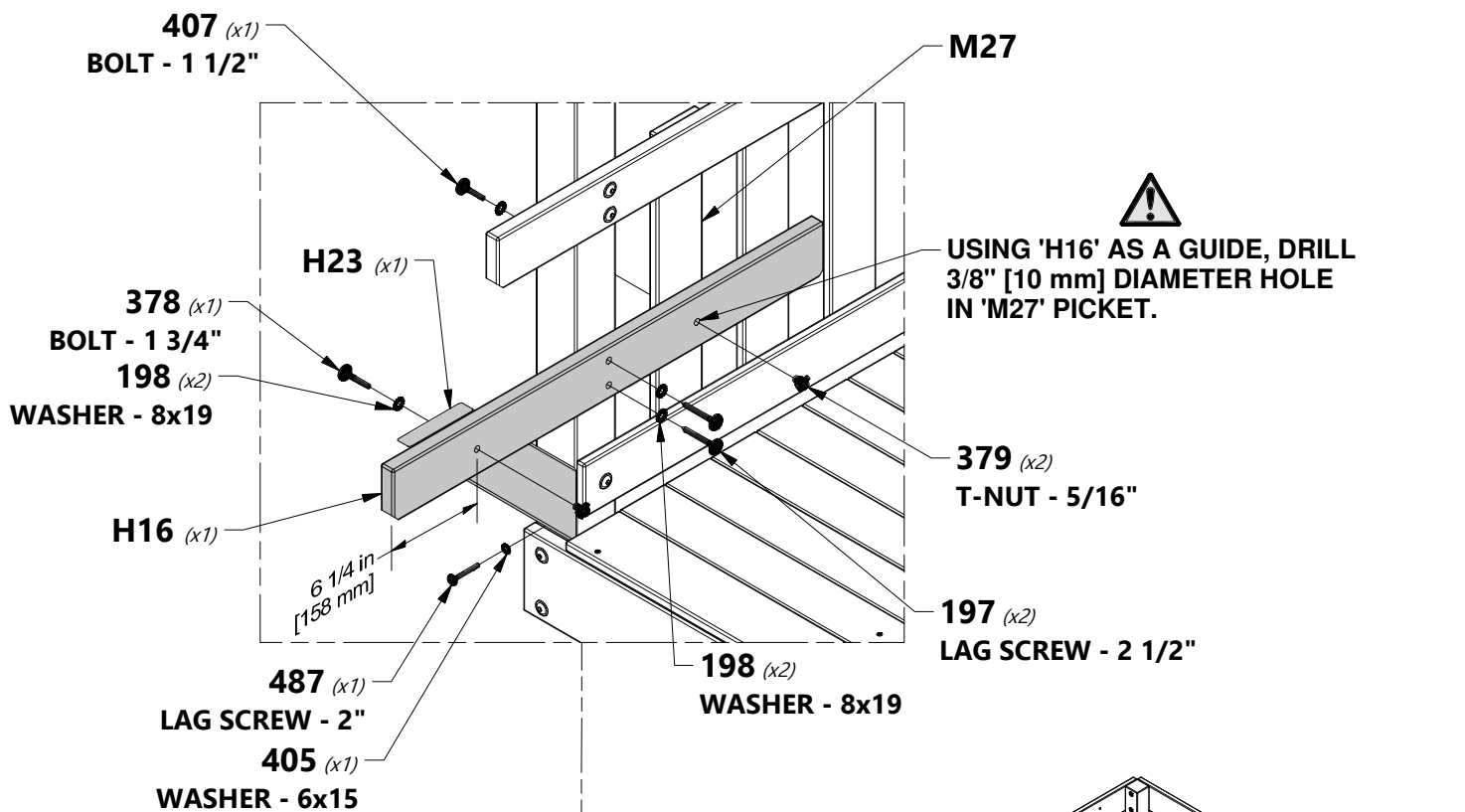
**H100198** | WASHER LOCK EXT BLK  
(x4) | 8x19

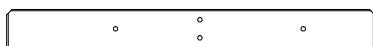


**H100405** | WASHER LOCK EXT BLK  
(x1) | 6x15



**H100379** | T-NUT BLK  
(x2) | 5/16





**H17** | PICNIC TABLE SEAT RAIL - W4L14764  
(x1) | 1"x3 3/8"x32" (24x86x812)



**H23** | PICNIC TABLE BRACE - W4L14769  
(x1) | 1"x3 3/8"x17 1/2" (24x86x444)



**H100197** | LAG SCREW WH BLK  
(x2) | 5/16x2 1/2



**H100378** | BOLT WH BLK  
(x2) | 5/16x1 3/4



**H100487** | LAG SCREW WH BLK  
(x1) | 1/4x2



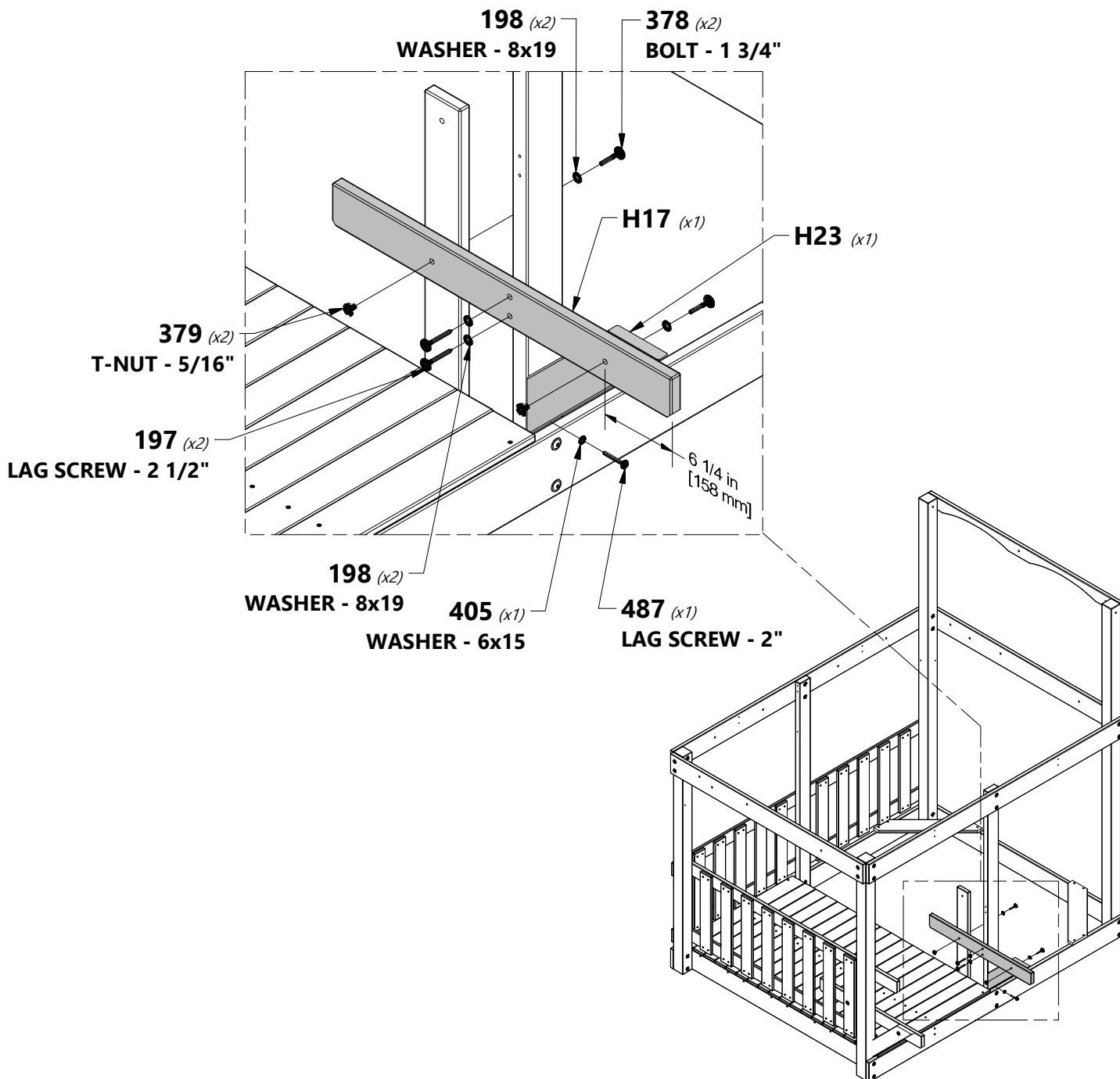
**H100198** | WASHER LOCK EXT BLK  
(x4) | 8x19

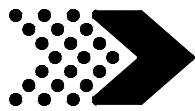


**H100405** | WASHER LOCK EXT BLK  
(x1) | 6x15



**H100379** | T-NUT BLK  
(x2) | 5/16

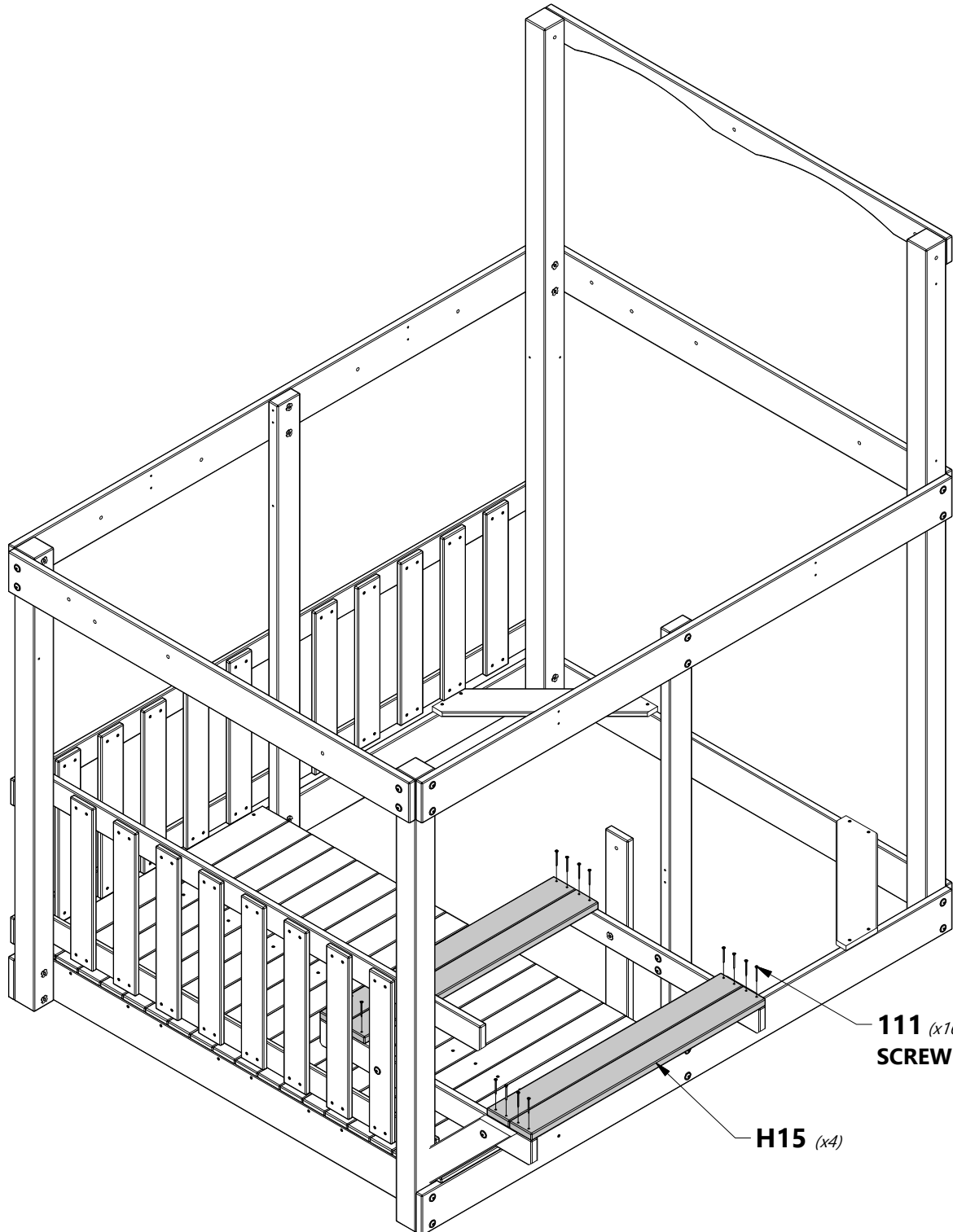


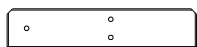


**H15** | PICNIC TABLE SEAT - W4L14762  
(x4) 1"x3 3/8"x35 3/8" (24x86x897)



**H100111** | SCREW PFH  
(x16) 8x2





**H24** | PICNIC TABLE TOP SUPPORT - W4L14770  
(x1) | 1"x3 3/8"x16 1/2" (24x86x418)



**H100197** | LAG SCREW WH BLK  
(x2) | 5/16x2 1/2



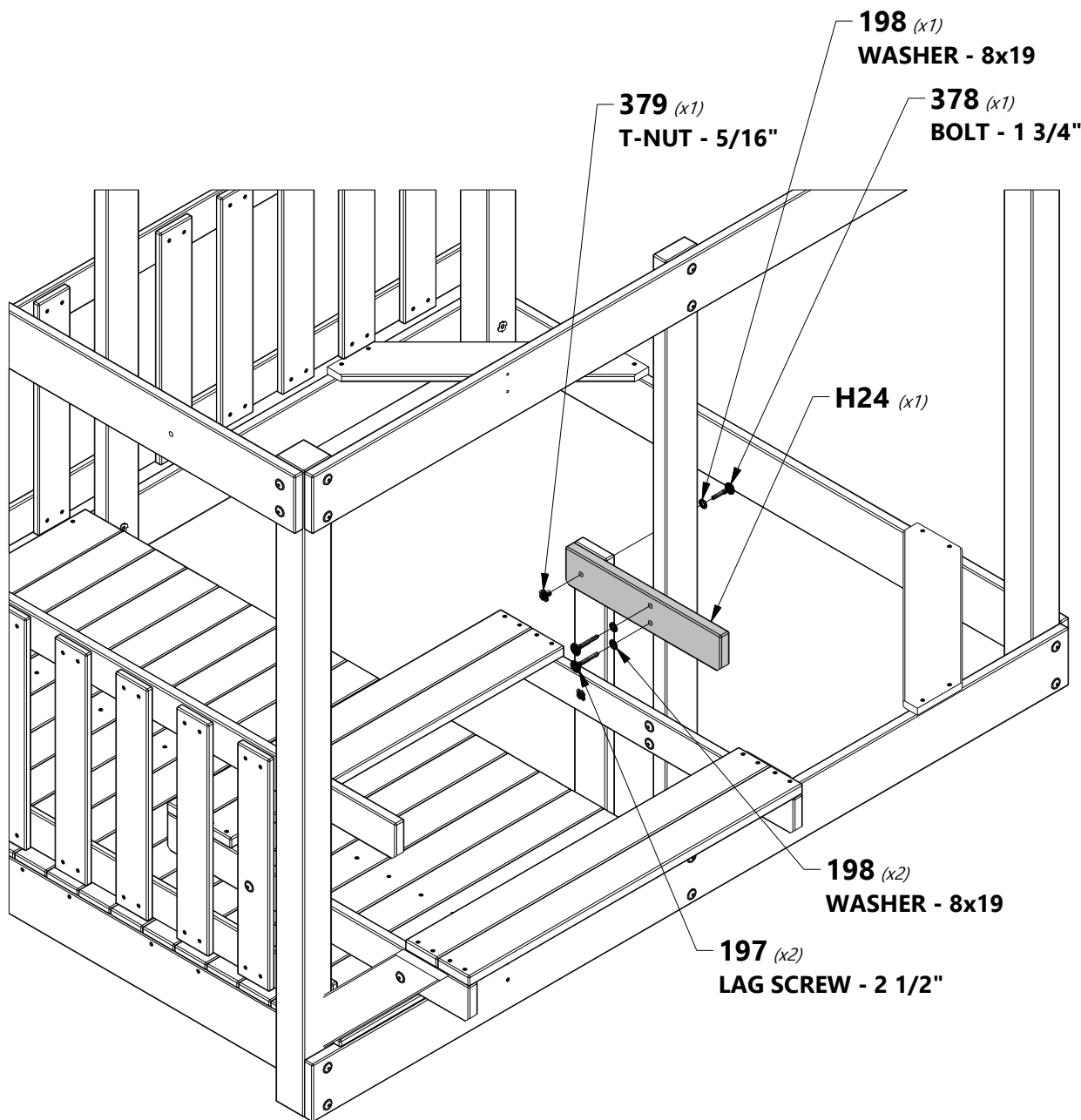
**H100378** | BOLT WH BLK  
(x1) | 5/16x1 3/4



**H100198** | WASHER LOCK EXT BLK  
(x3) | 8x19



**H100379** | T-NUT BLK  
(x1) | 5/16





**M13** | PICNIC TABLE TOP - W4L14801  
(x4) | 5/8"x3 3/8"x41 1/4" (16x86x1049)



**M30** | PICNIC TABLE TOP CLEAT - W4L14815  
(x1) | 5/8"x3 3/8"x16" (16x86x406)



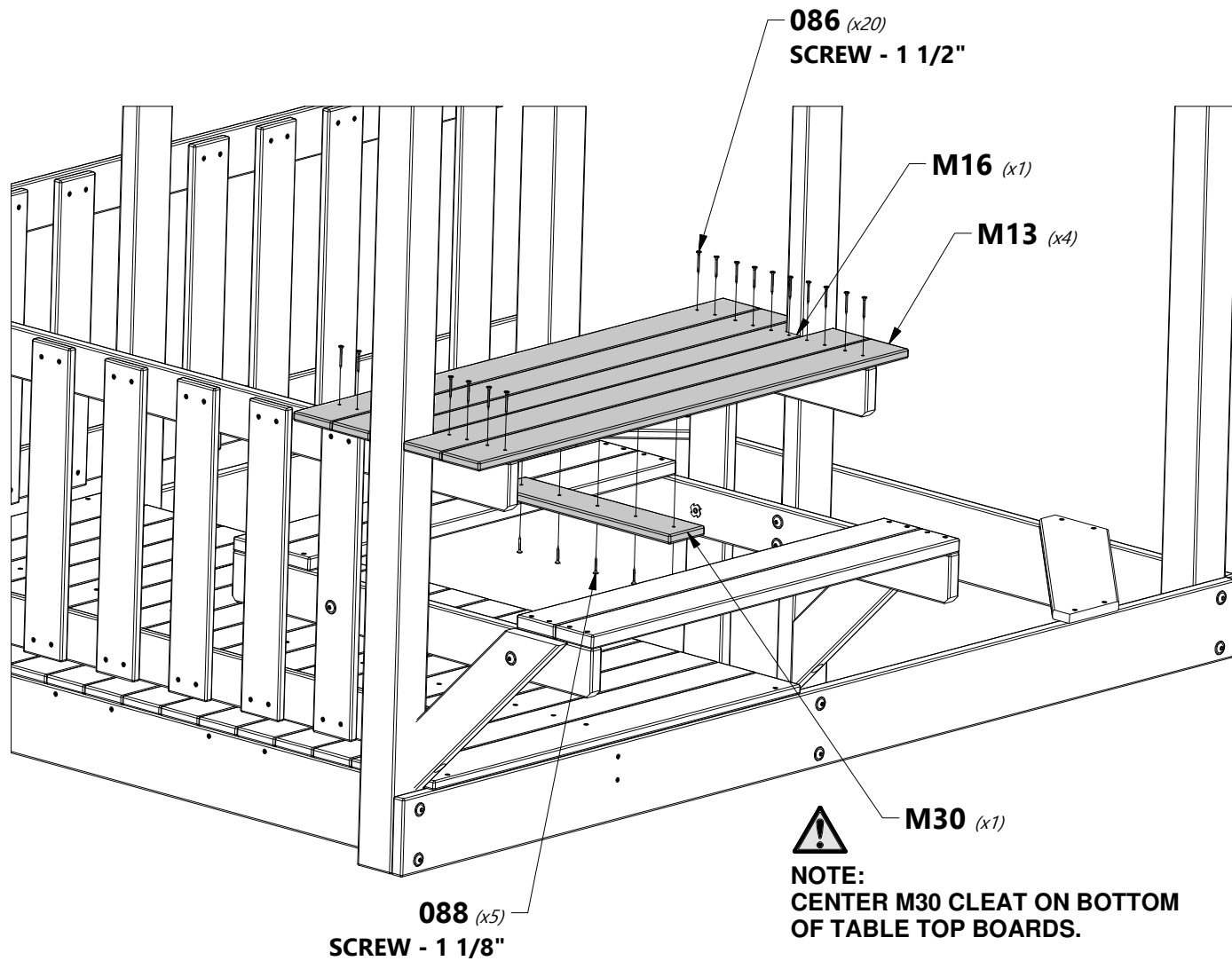
**M16** | CENTER PICNIC TABLE TOP - W4L14803  
(x1) | 5/8"x3"x38 1/4" (16x76x973)

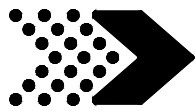


**H100086** | SCREW PFH  
(x20) | 8x1 1/2



**H100088** | SCREW PFH  
(x5) | 8x1 1/8

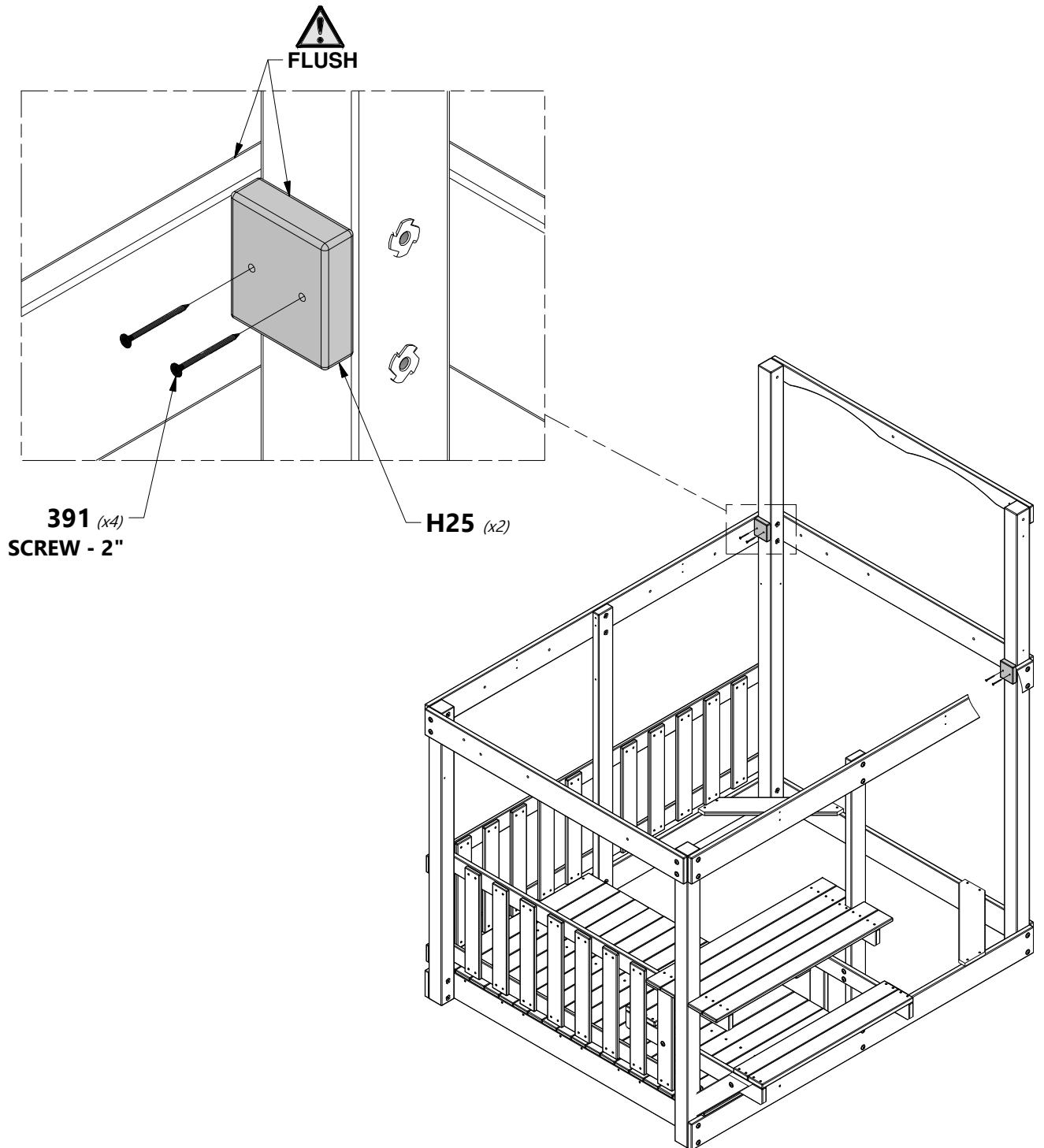


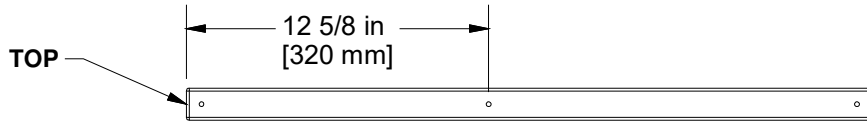
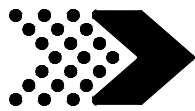


**H25** | TOP FLOOR SUPPORT - W4L14771  
 (x2) | 1"x3 3/8"x3" (24x86x76)



**H100391** | SCREW PFH BLK  
 (x4) | 8x2

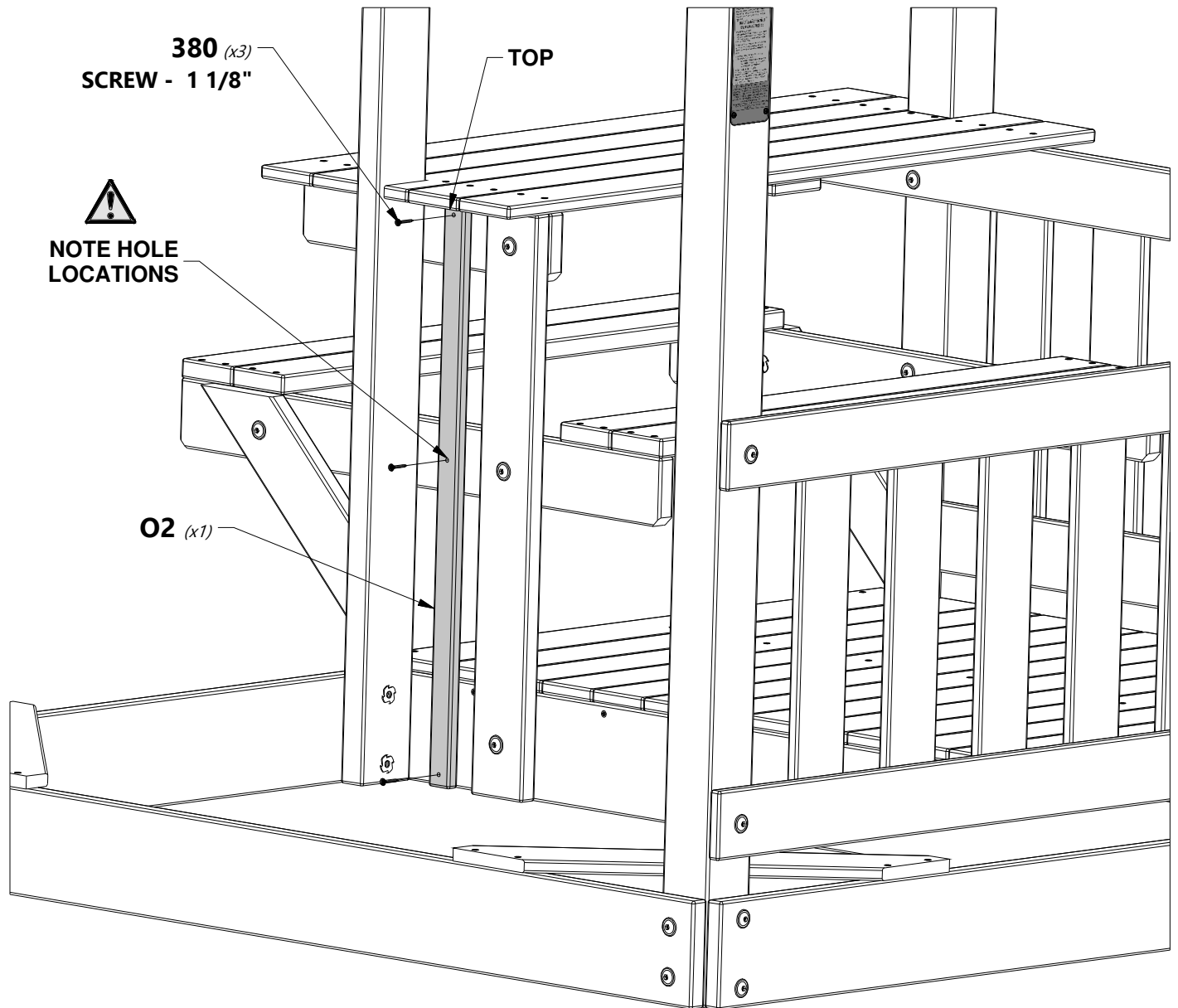




**O2** SAFETY BOARD - W4L14836  
(x1) | 5/8"x1 3/8"x28 5/8" (16x34x726)



**H100380** SCREW PFH BLK  
(x3) | 8x1 1/8





**E05 | DECK BRACE - W4L15452**  
 (x8) | 1 7/16"x3 3/8"x17 11/16" (36x86x450)

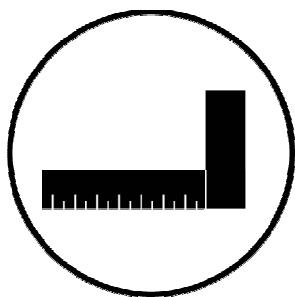
**H100205 | BOLT WH BLK**  
 (x8) | 5/16x2-1/4

**H100456 | LAG SCREW WH BLK**  
 (x8) | 1/4x2 1/2

**H100198 | WASHER LOCK  
EXT BLK**  
 (x8) | 8x19

**H100405 | WASHER LOCK  
EXT BLK**  
 (x8) | 6x15

**H100379 | T-NUT BLK**  
 (x8) | 5/16



**E05 (x8)**

**379 (x8)  
T-NUT - 5/16"**

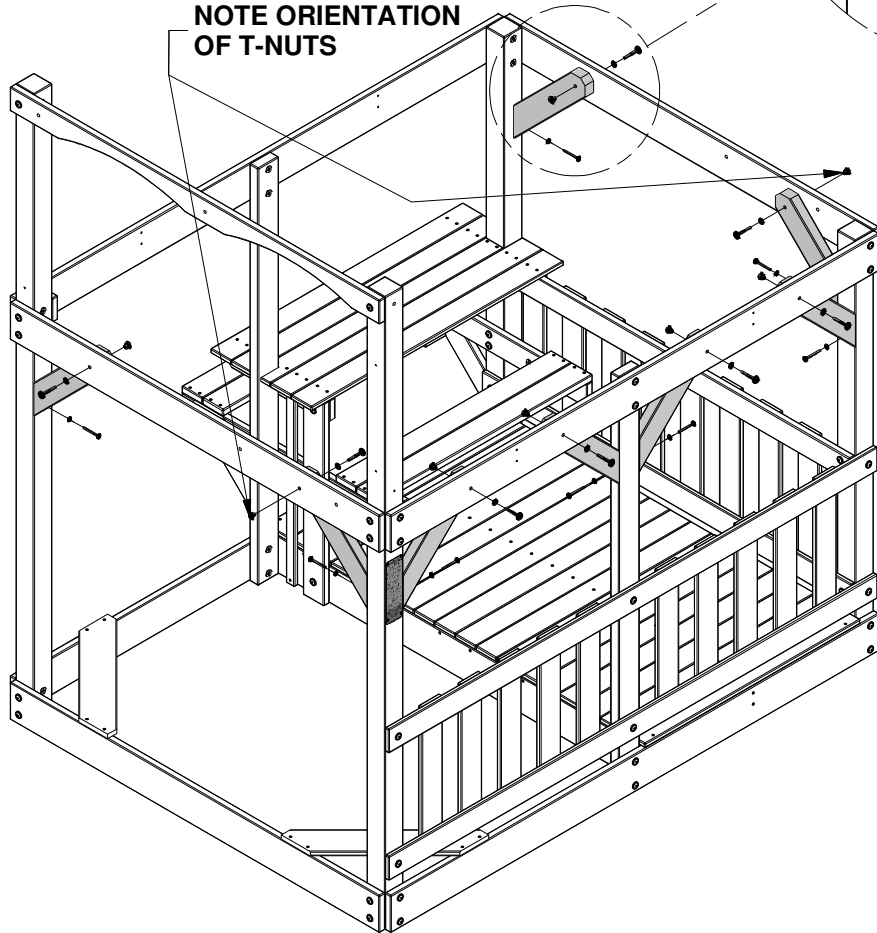
**198 (x8)  
WASHER - 8x19**

**205 (x8)  
BOLT - 2 1/4"**

**NOTE ORIENTATION  
OF T-NUTS**

**456 (x8)  
LAG SCREW - 2 1/2"**

**405 (x8)  
WASHER - 6x15**





**H5 | FLOOR RAIL - W4L14752**  
(x1) | 1"x3 3/8"x60 1/2" (24x86x1537)



**H26 | FLOOR JOIST - W4L14772**  
(x2) | 1"x3 3/8"x60 1/2" (24x86x1537)



**H100458 | LAG SCREW WH BLK**  
(x4) | 5/16x2



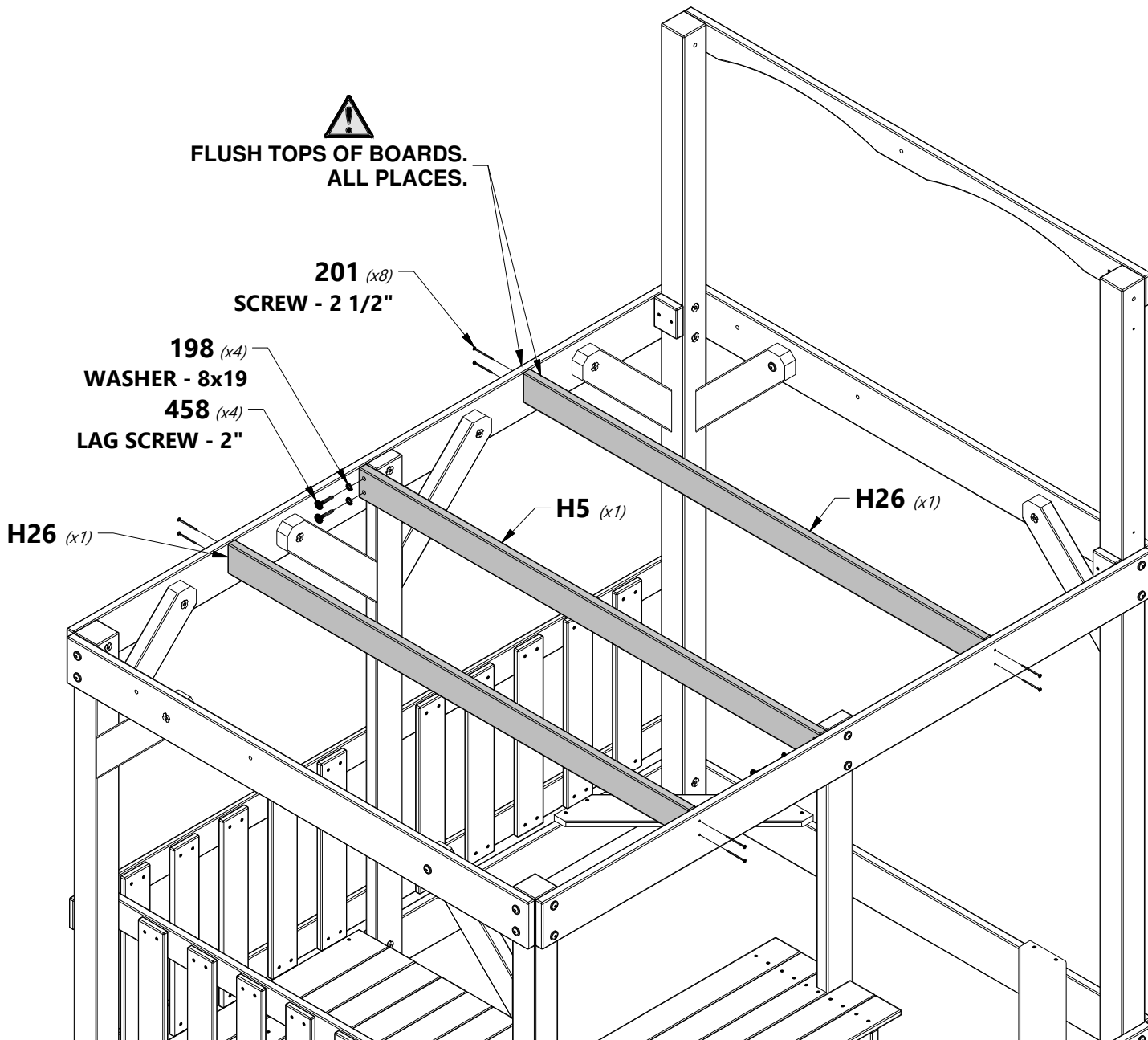
**H100198 | WASHER LOCK EXT BLK**  
(x4) | 8x19

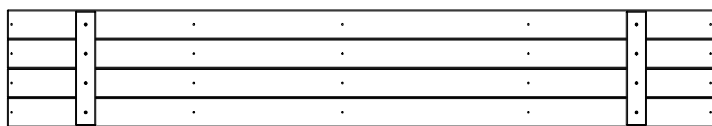


**H100201 | SCREW PFH BLK**  
(x8) | 8x2-1/2

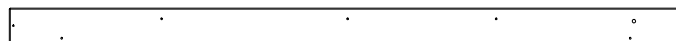


**FLUSH TOPS OF BOARDS.  
ALL PLACES.**





**FP2 | FLOOR PANEL - W2A03141**  
(x4) | 1 1/4"x13 1/2"x81 7/8" (32x344x2080)



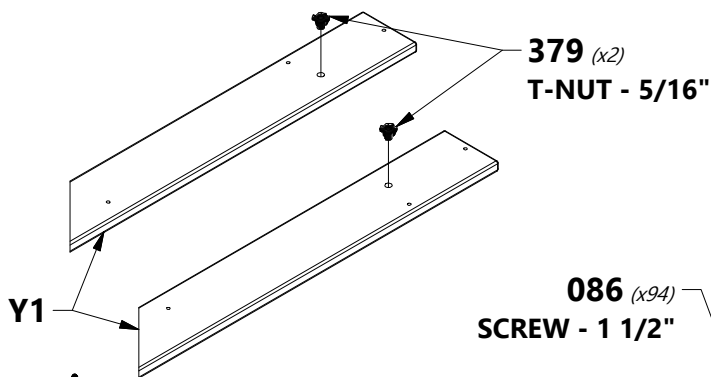
**Y1 | TOP FLOOR BOARD - W4L15730**  
(x2) | 5/8"x4"x78" (16x102x1980)



**H100086 | SCREW PFH**  
(x94) | 8x1 1/2"



**H100379 | T-NUT BLK**  
(x2) | 5/16"



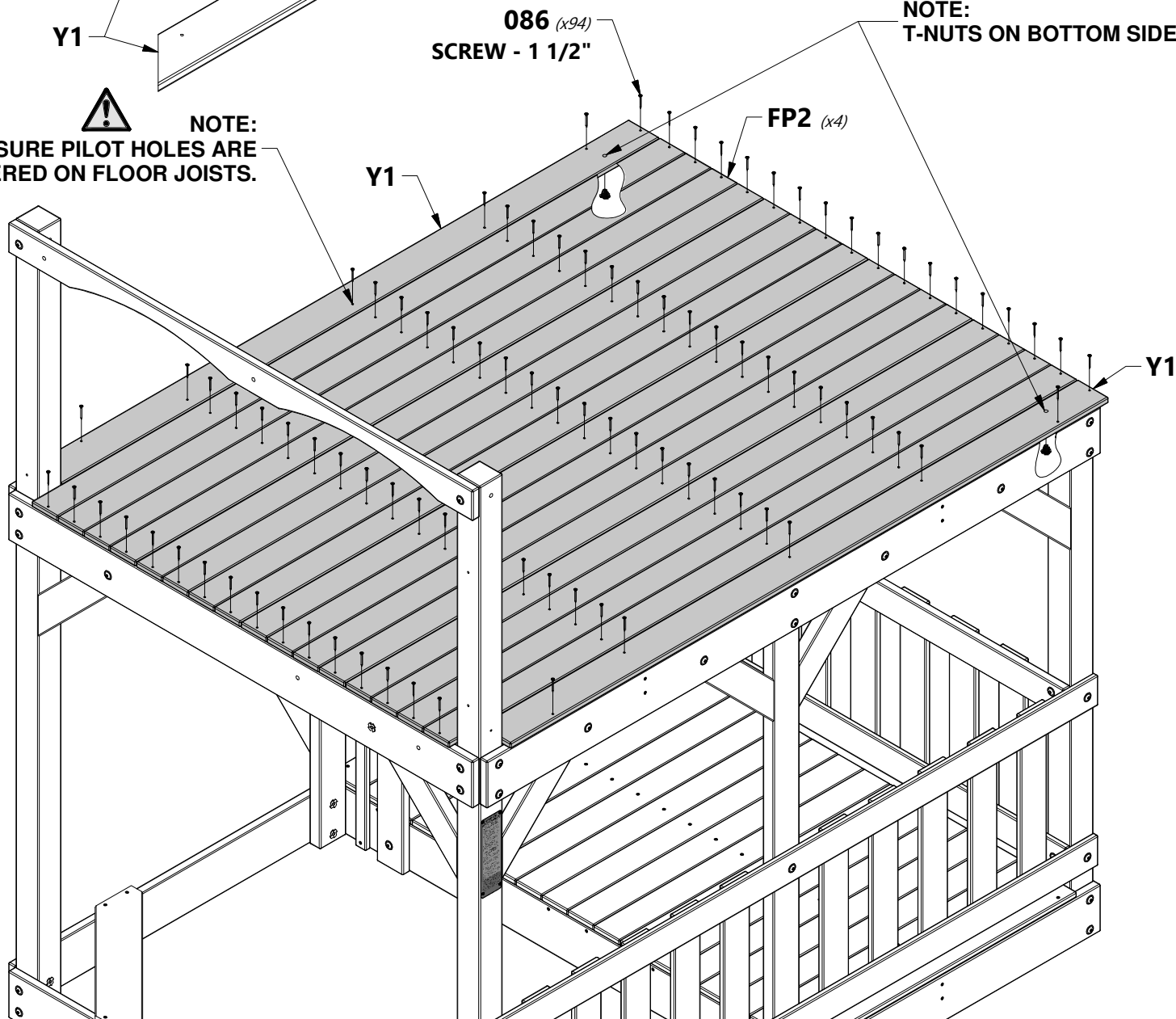
**TIP:**  
INSTALL T-NUTS ON BOTTOM SIDE OF BOTH Y1 FLOOR BOARDS BEFORE ATTACHING TO FORT.



**NOTE:**  
ENSURE PILOT HOLES ARE CENTERED ON FLOOR JOISTS.



**NOTE:**  
T-NUTS ON BOTTOM SIDE.





**B5** | BACK LEFT CLUB HOUSE CORNER - W4L14722  
 (x1) | 3"x3"x53 7/8" (76x76x1370)

**B8** | BACK RIGHT FORT CORNER - W4L12687  
 (x1) | 3"x3"x53 7/8" (76x76x1370)

**H6** | BACK CLUB HOUSE RAIL - W4L14753  
 (x1) | 1"x3 3/8"x60 1/2" (24x86x1537)

**H4** | ROOF SUPPORT RAIL - W4L14751  
 (x1) | 1"x3 3/8"x67 1/4" (24x86x1709)



**A4M01046** | L BRACKET  
 (x2) | 2.5x38x55x55



**M21** | FORT WALL RAIL - W4L12761  
 (x1) | 5/8"x3 3/8"x30 1/4" (16x86x768)



**H100194** | BOLT WH BLK  
 (x1) | 5/16x2 1/2



**H100396** | BOLT WH BLK  
 (x2) | 5/16x1/2



**H100415** | BOLT WH BLK  
 (x2) | 5/16x3 3/4



**H100379** | T-NUT BLK  
 (x2) | 5/16



**H100484** | BOLT WH BLK  
 (x1) | 5/16x3 1/4



**H100192** | NUT BARREL WH BLK  
 (x2) | 5/16x7/8



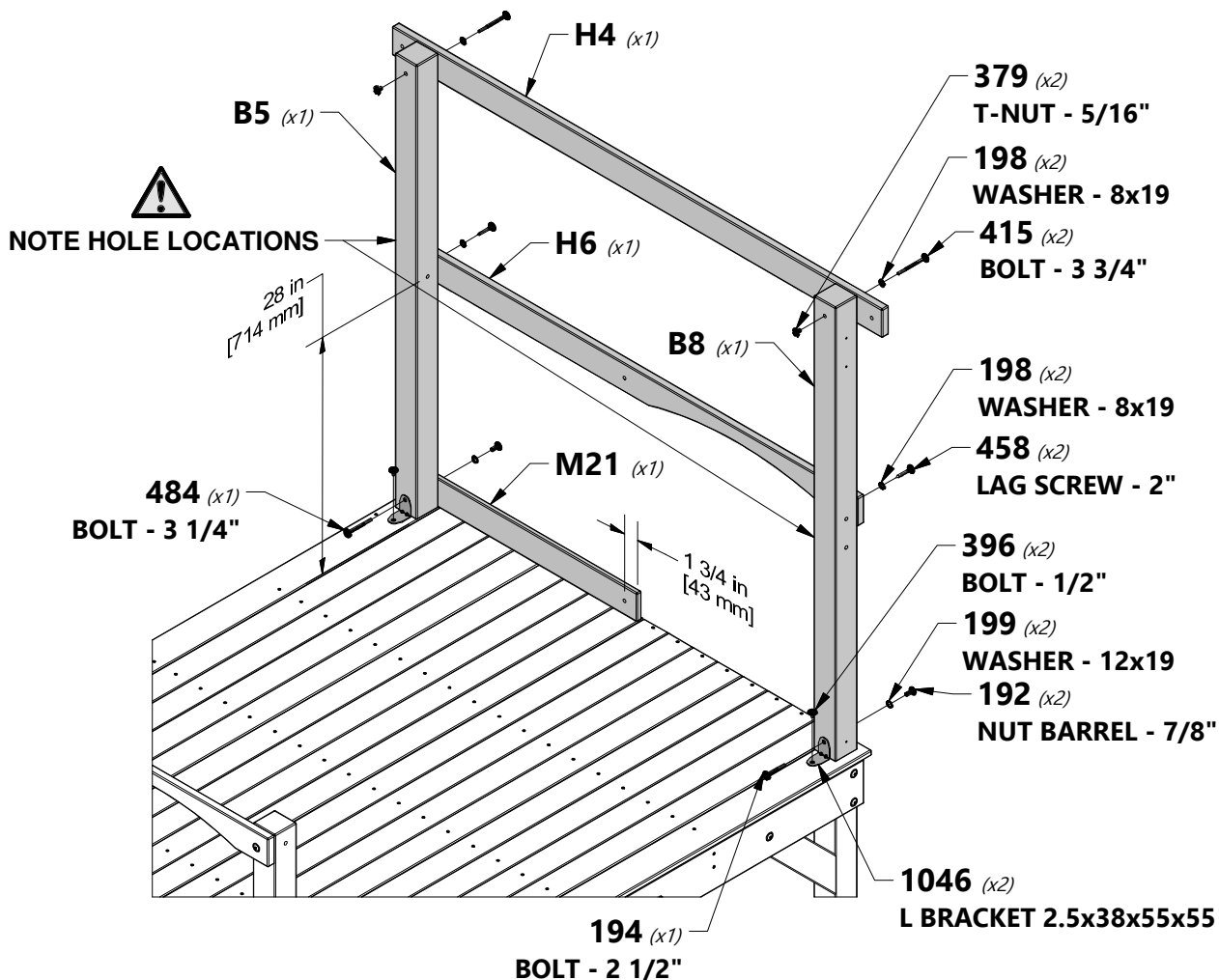
**H100458** | LAG SCREW WH BLK  
 (x2) | 5/16x2

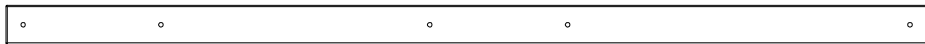


**H100199** | WASHER LOCK  
 EXT BLK  
 12x19



**H100198** | WASHER LOCK  
 EXT BLK  
 8x19





**M1** | TOP WALL RAIL - W4L14789  
(x1) | 5/8"x3 3/8"x80" (16x86x2032)



**M10** | CLUB HOUSE WALL RAIL - W4L14798  
(x1) | 5/8"x3 3/8"x50 1/4" (16x86x1277)



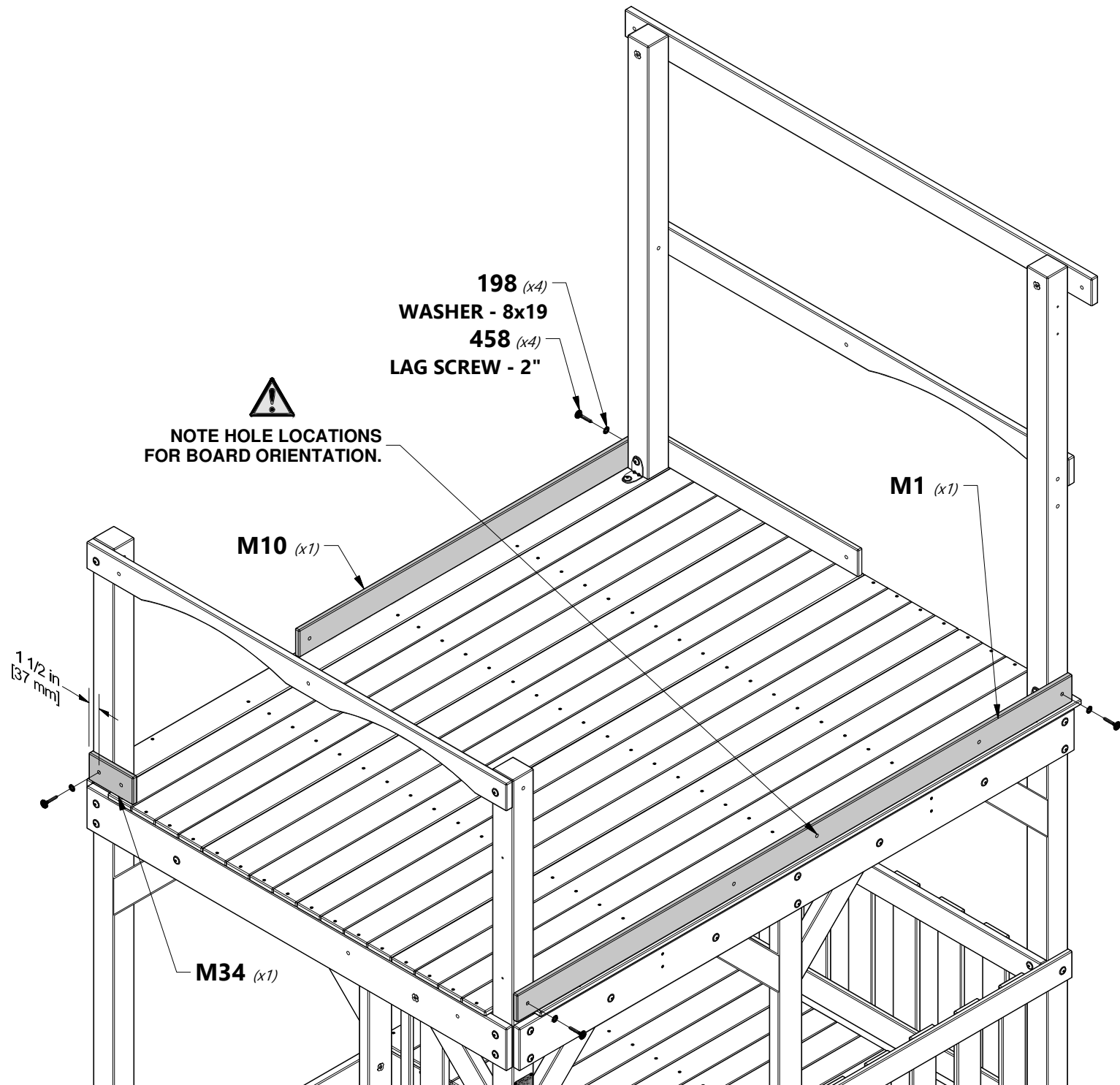
**M34** | WALL RAIL - W4L14819  
(x1) | 5/8"x3 3/8"x6 3/8" (16x86x162)



**H100458** | LAG SCREW WH BLK  
(x4) | 5/16x2



**H100198** | WASHER LOCK  
(x4) | EXT BLK  
8x19





**H18** | CLUB HOUSE WALL RAIL - W4L14765  
(x1) | 1"x3 3/8"x29 7/8" (24x86x758)



**A4M01046** | L BRACKET  
(x1) | 2.5x38x55x55



**H100378** | BOLT WH BLK  
(x1) | 5/16x1 3/4



**H100459** | BOLT WH BLK  
(x1) | 5/16x1 1/4



**H100396** | BOLT WH BLK  
(x1) | 5/16x1/2



**H100192** | NUT BARREL WH BLK  
(x1) | 5/16x7/8



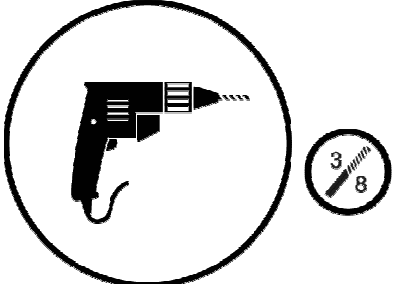
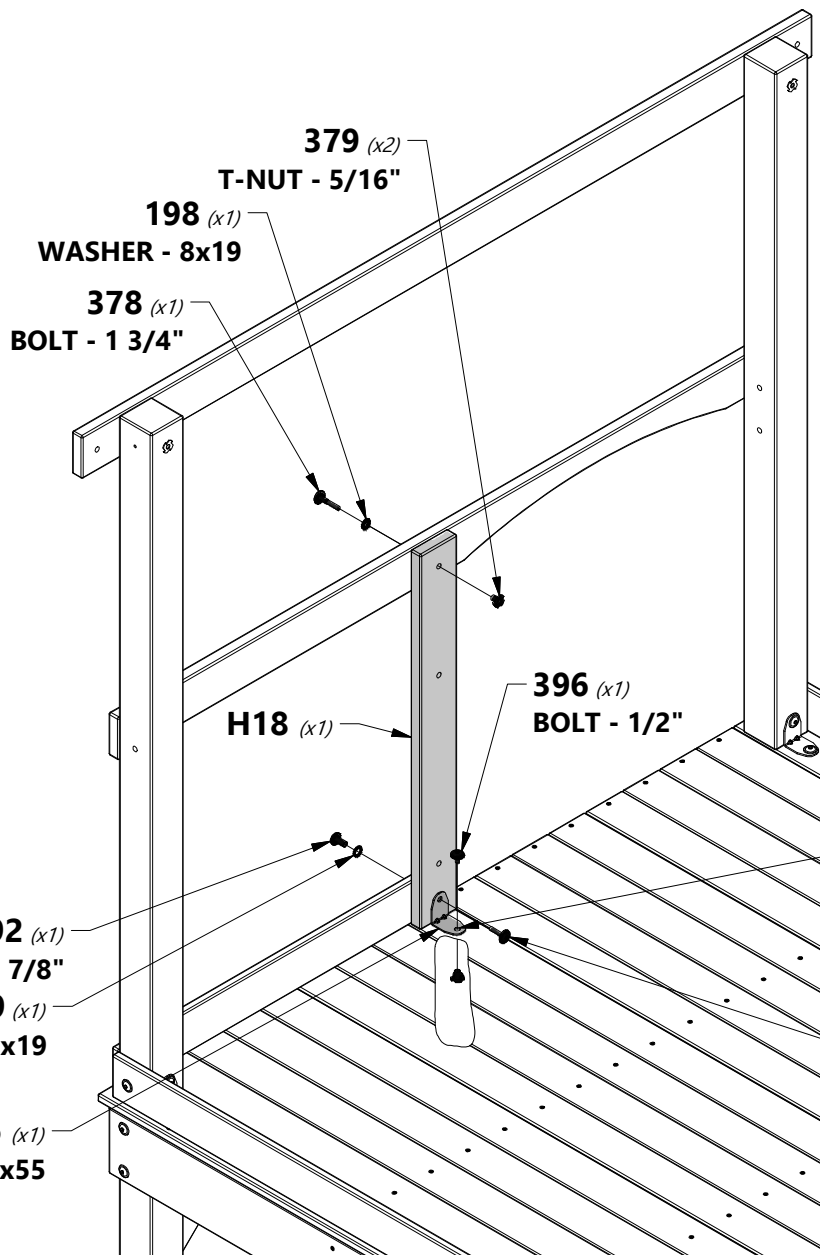
**H100199** | WASHER LOCK  
(x1) | EXT BLK  
12x19



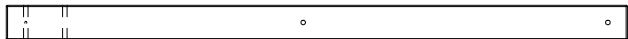
**H100198** | WASHER LOCK  
(x1) | EXT BLK  
8x19



**H100379** | T-NUT BLK  
(x2) | 5/16



**USING BRACKET AS A GUIDE, DRILL 3/8" [10 mm] HOLE THROUGH DECK.**



**B6** | FRONT LEFT CLUB HOUSE CORNER - W4L14723  
(x1) | 3"x3"x53 7/8" (76x76x1370)



**H1** | WALL RAIL - W4L14748  
(x1) | 1"x3 3/8"x80" (24x86x2032)



**A4M01046** | L BRACKET  
(x1) | 2.5x38x55x55



**H100415** | BOLT WH BLK  
(x3) | 5/16x3 3/4



**H100198** | WASHER LOCK  
(x3) | EXT BLK  
8x19



**H100484** | BOLT WH BLK  
(x1) | 5/16x3 1/4



**H100199** | WASHER LOCK  
(x1) | EXT BLK  
12x19



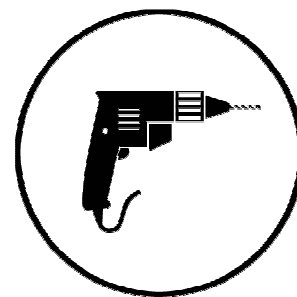
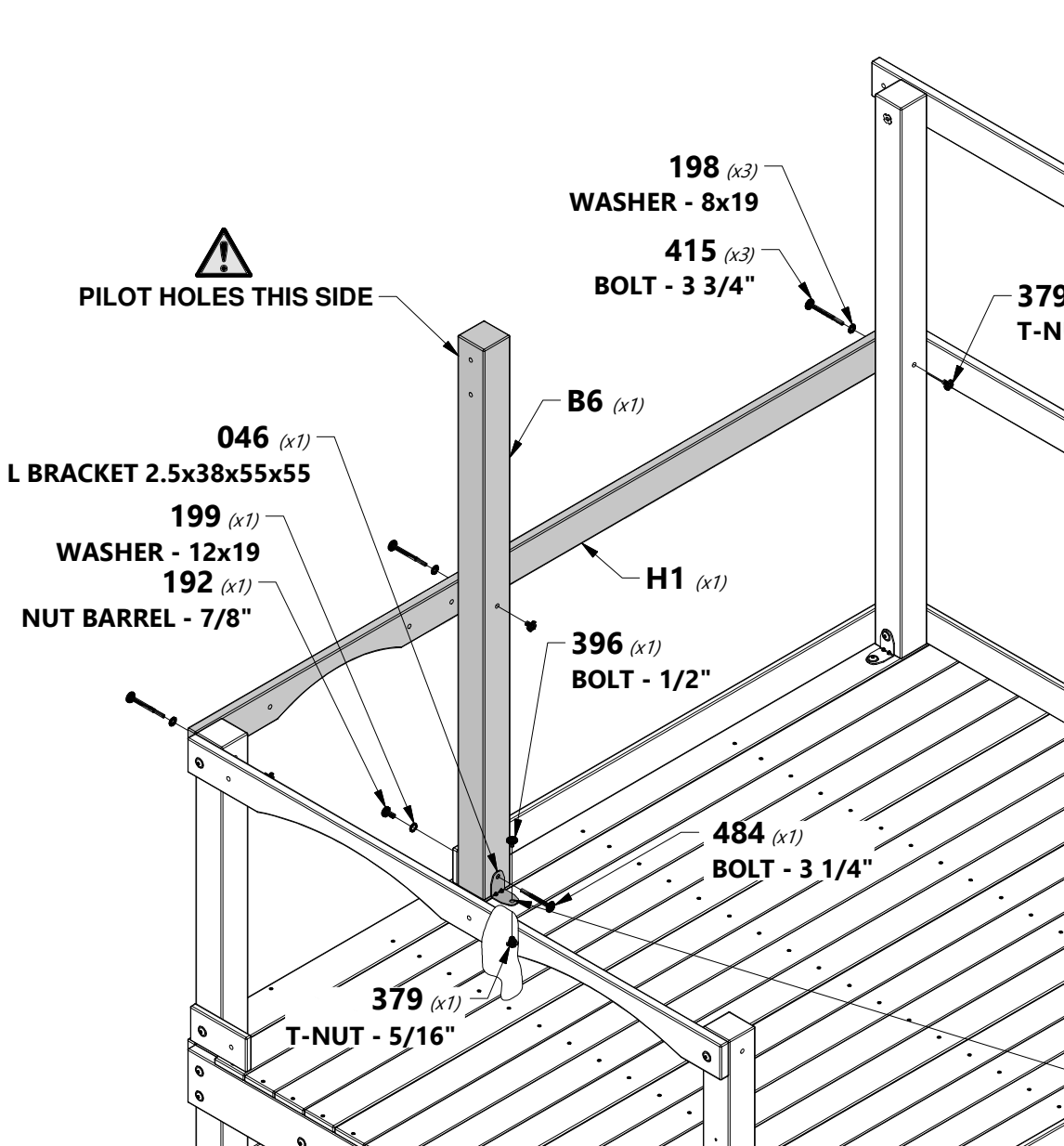
**H100396** | BOLT WH BLK  
(x1) | 5/16x1/2



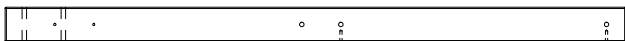
**H100379** | T-NUT BLK  
(x4) | 5/16



**H100192** | NUT BARREL WH BLK  
(x1) | 5/16x7/8



**USING BRACKET AS A GUIDE, DRILL 3/8" [10 mm] HOLE THROUGH DECK**



**B7** FRONT RIGHT FORT CORNER - W4L12686  
(x1) 3"x3"x53 7/8" (76x76x1370)



**H2** WALL RAIL - W4L12707  
(x1) 1"x3 3/8"x80" (24x86x2032)



**A4M01046** L BRACKET  
(x1) 2.5x38x55x55



**H100415** BOLT WH BLK  
(x3) 5/16x3 3/4



**H100198** WASHER LOCK  
(x3) EXT BLK  
8x19



**H100484** BOLT WH BLK  
(x1) 5/16x3 1/4



**H100199** WASHER LOCK  
(x1) EXT BLK  
12x19



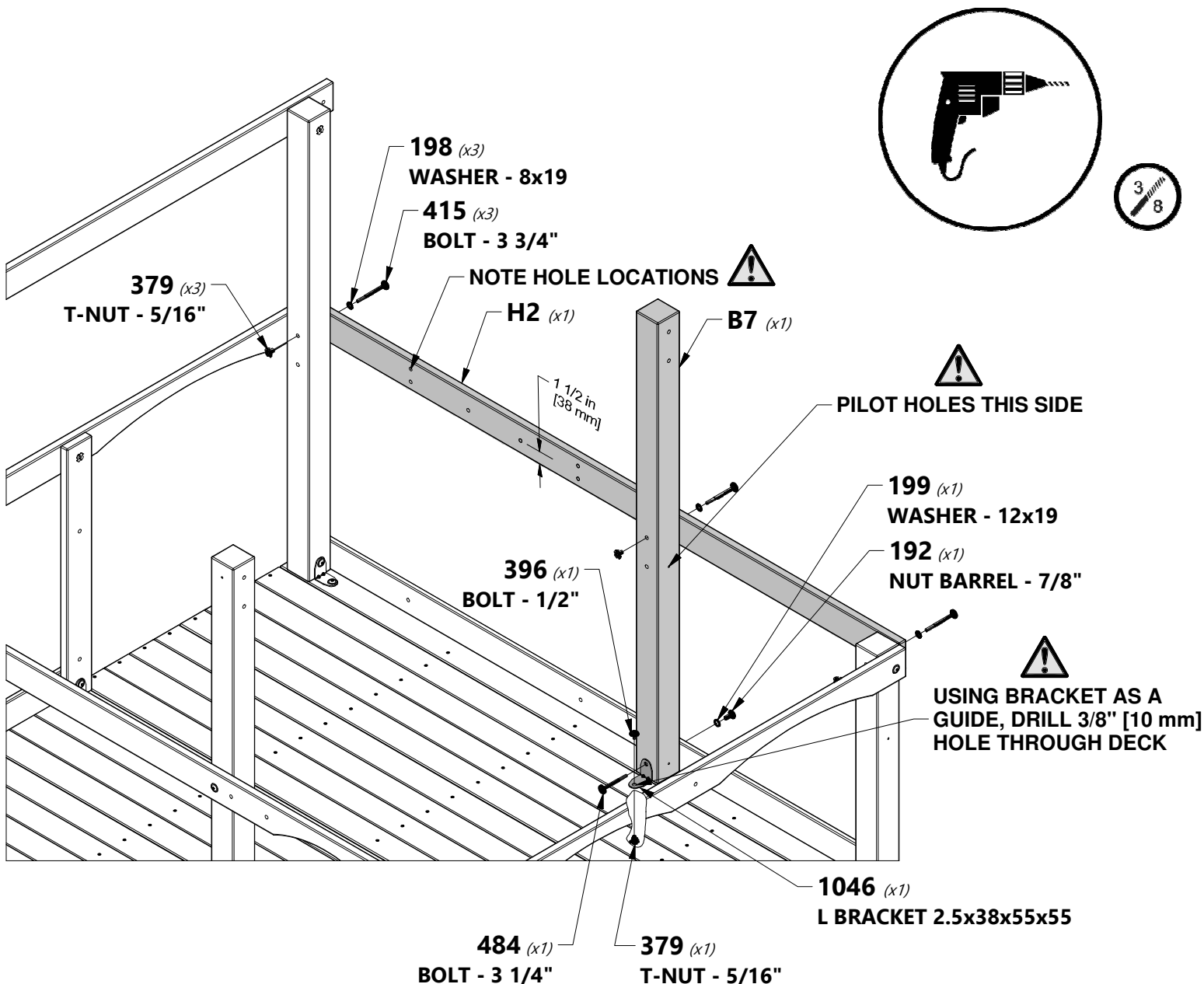
**H100396** BOLT WH BLK  
(x1) 5/16x1/2



**H100379** T-NUT BLK  
(x4) 5/16



**H100192** NUT BARREL WH BLK  
(x1) 5/16x7/8





**H9** | FORT WALL BOARD - W4L12714  
(x2) | 1"x3 3/8"x50 1/2" (24x86x1284)



**A100396** | L BRACKET  
(x2) | 51x32x82x3.175



**H100407** | BOLT WH BLK  
(x2) | 5/16x1 1/2



**H100761** | BOLT HEX BLK  
(x4) | 5/16x2



**H100198** | WASHER LOCK  
(x2) | EXT BLK  
8x19



**H100477** | WASHER SPLIT  
(x4) | BLK  
5/16



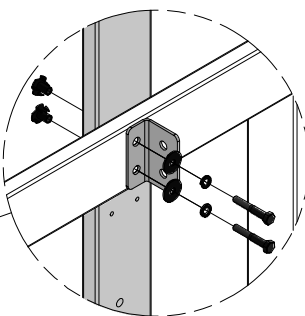
**H100478** | WASHER FLAT  
(x4) | BLK  
8x27



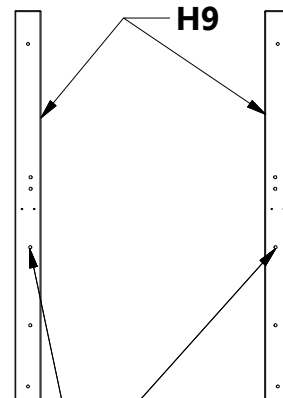
**H100379** | T-NUT BLK  
(x6) | 5/16



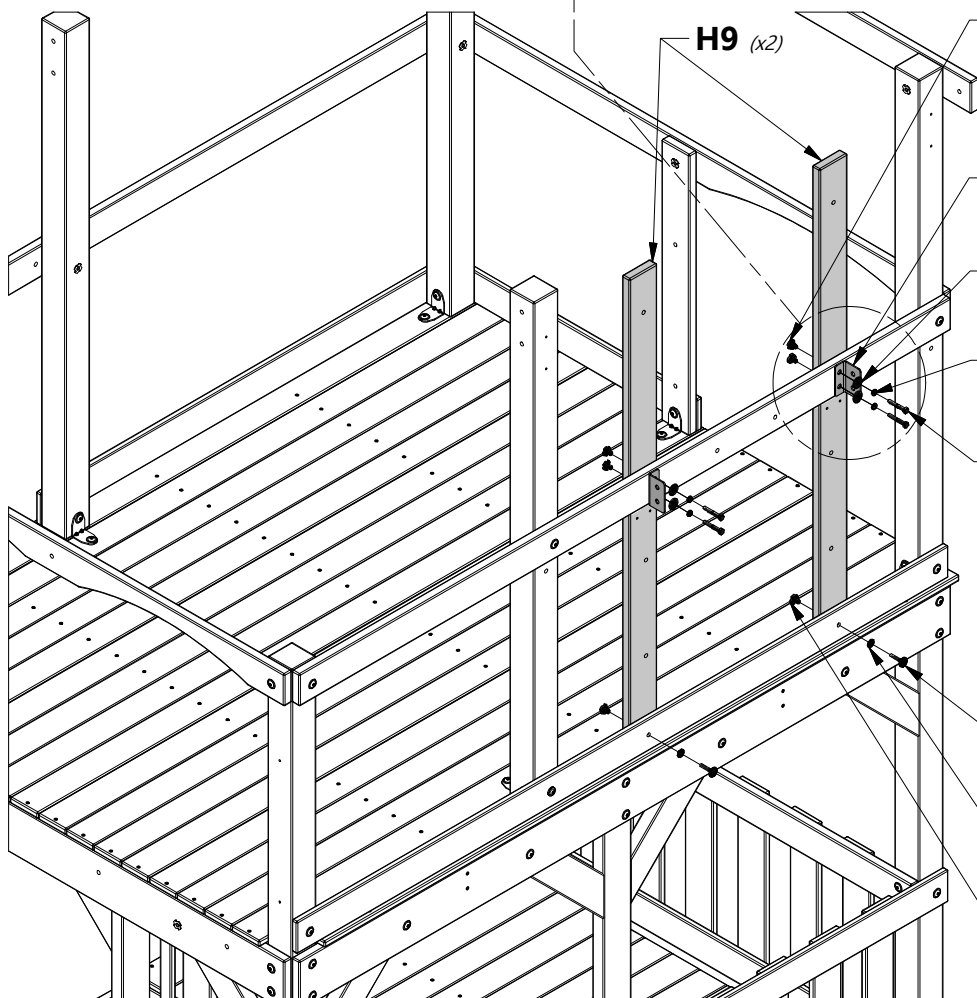
**NOTE:**  
INSERT T-NUTS INTO BOARDS  
BEFORE ASSEMBLY.



**REFERENCE VIEW**



**NOTE:** HOLES ARE CLOSER TO THE INSIDE WHEN INSTALLED.



**379** (x4)  
T-NUT - 5/16"

**396** (x2)  
L BRACKET 51x32x82x3.175

**478** (x4)  
WASHER - 8x27

**477** (x4)  
WASHER - 5/16

**761** (x4)  
BOLT - 5/-16x2" BLK

**407** (x2)  
BOLT - 1 1/2"

**198** (x2)  
WASHER - 8x19

**379** (x2)  
T-NUT - 5/16"



**H14 | SWING BEAM MOUNT - W4L12719**  
(x1) | 1"x3 3/8"x50 1/4" (24x86x1277)



**K5 | CLUB HOUSE WALL RAIL - W4L14785**  
(x1) | 5/8"x5 1/4"x50 1/4" (16x134x1277)



**H100415 | BOLT WH BLK**  
(x2) | 5/16x3 3/4



**H100407 | BOLT WH BLK**  
(x2) | 5/16x1 1/2



**H100458 | LAG SCREW WH BLK**  
(x4) | 5/16x2



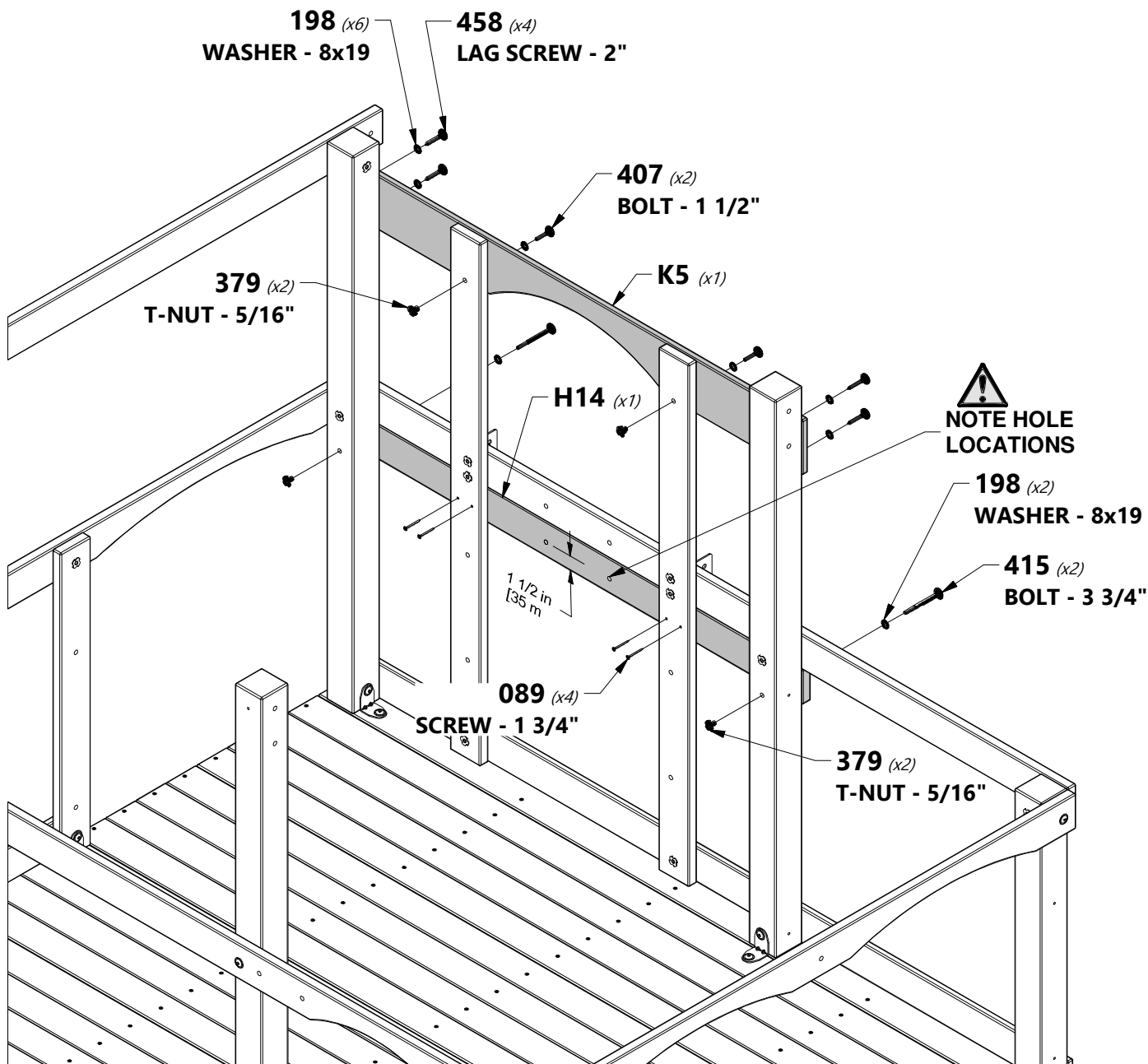
**H100089 | SCREW PFH**  
(x4) | 8x1 3/4

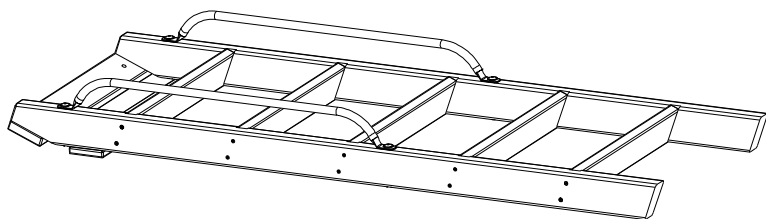


**H100198 | WASHER LOCK  
EXT BLK**  
(x8) | 8x19



**H100379 | T-NUT BLK**  
(x4) | 5/16





(x1) LADDER ASSEMBLY



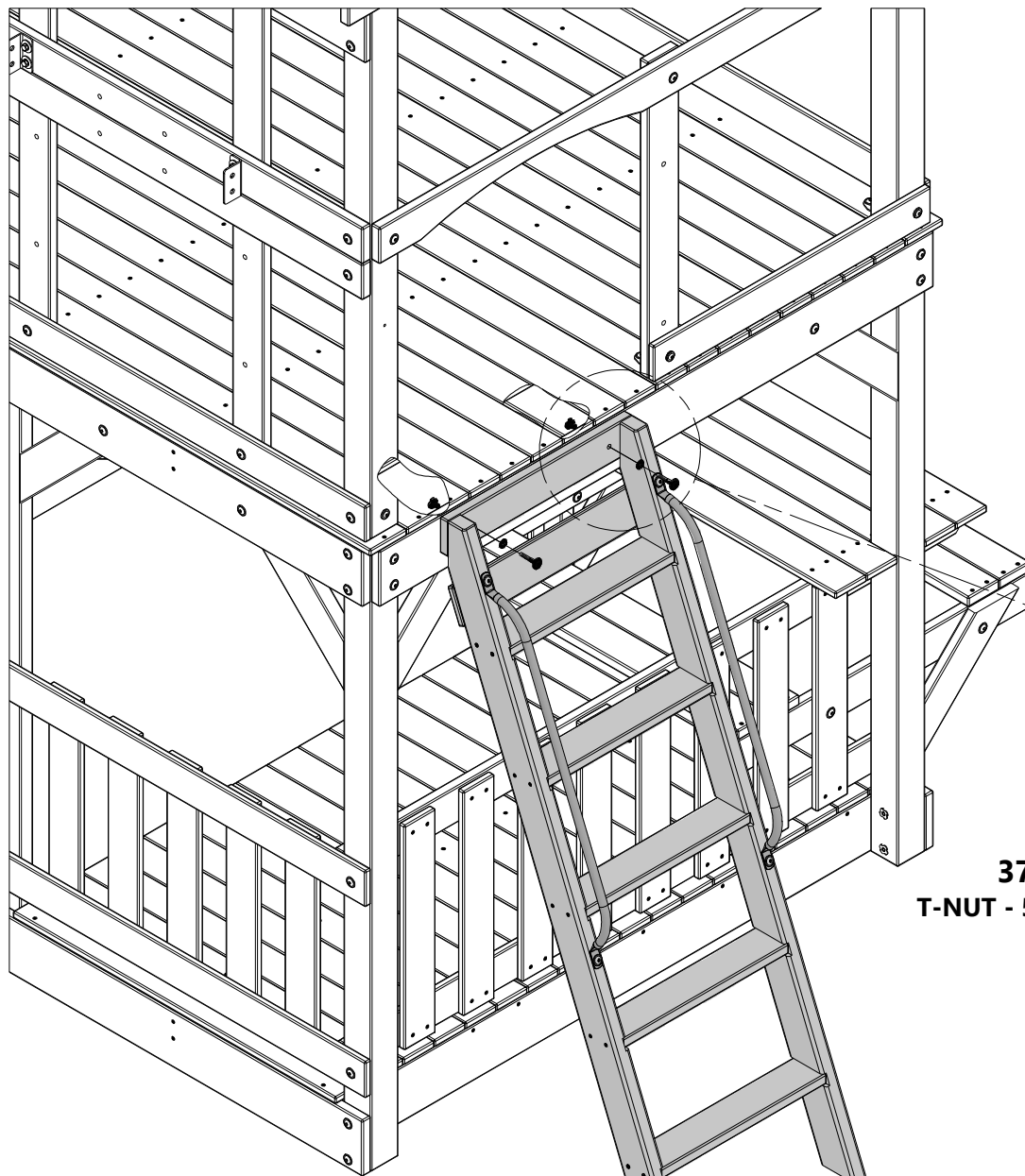
H100378 BOLT WH BLK  
(x2) 5/16x1 3/4



H100198 WASHER LOCK  
(x2) EXT BLK  
8x19



H100379 T-NUT BLK  
(x2) 5/16

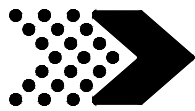


379 (x2)  
T-NUT - 5/16"

198 (x2)  
WASHER - 8x19

378 (x2)  
BOLT - 1 3/4"

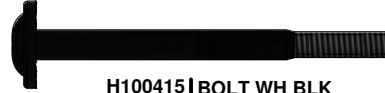
LADDER ASSEMBLY



**H4** | ROOF SUPPORT RAIL - W4L14751  
(x1) | 1"x3 3/8"x67 1/4" (24x86x1709)



**H7** | FRONT CLUB HOUSE WALL RAIL - W4L14754  
(x1) | 1"x3 3/8"x60 1/2" (24x86x1537)



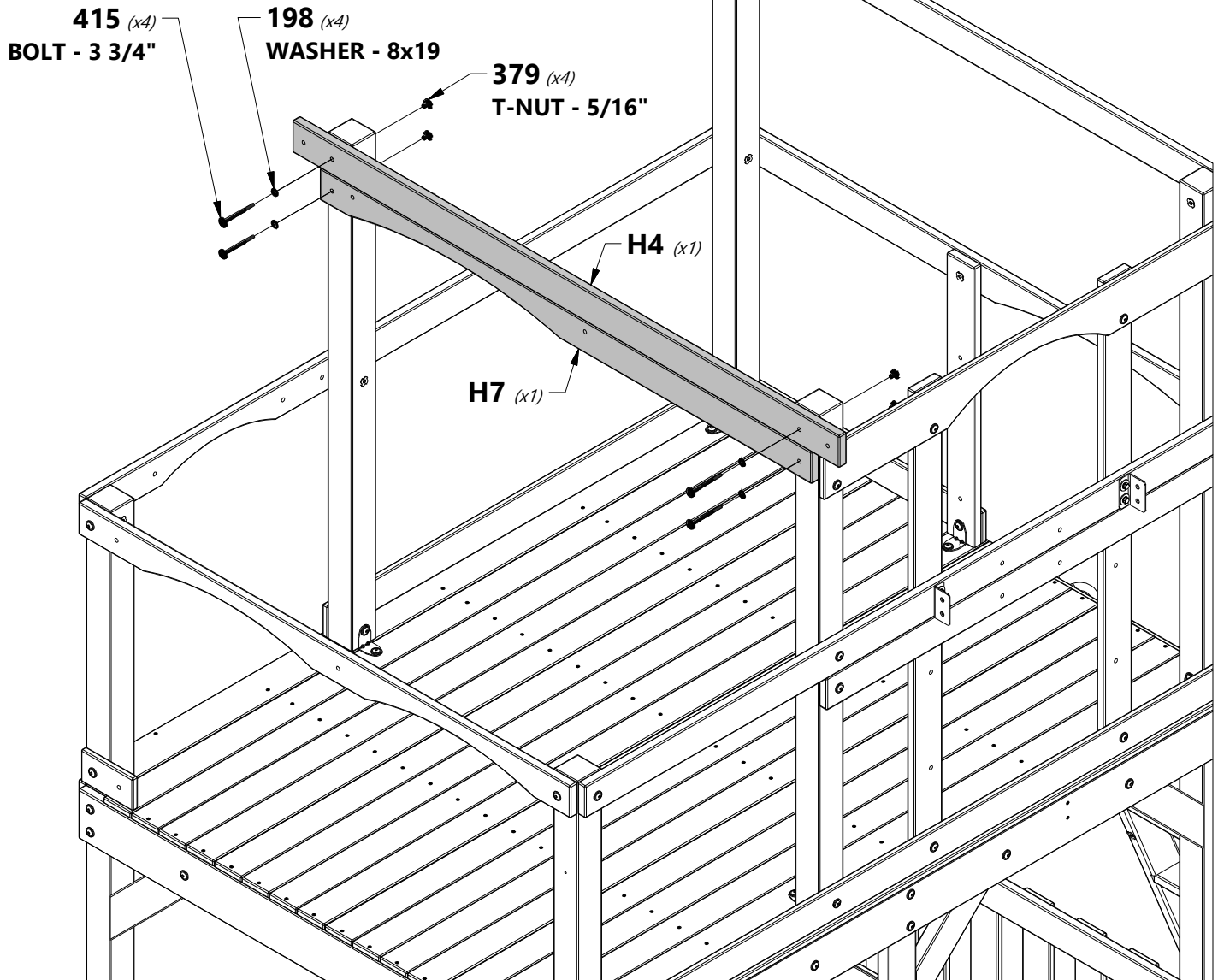
**H100415** | BOLT WH BLK  
(x4) | 5/16x3 3/4

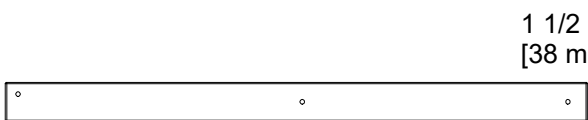


**H100198** | WASHER LOCK  
(x4) | EXT BLK  
8x19



**H100379** | T-NUT BLK  
(x4) | 5/16





**H8** FORT UPRIGHT - W4L12713  
(x1) | 1"x3 3/8"x50 1/2" (24x86x1284)

1 1/2 in  
[38 mm]



**M21** FORT WALL RAIL - W4L12761  
(x2) | 5/8"x3 3/8"x30 1/4" (16x86x768)

1 3/4 in  
[43 mm]



**A4M01046** L BRACKET  
(x1) | 2.5x38x55x55



**H100458** LAG SCREW WH BLK  
(x2) | 5/16x2



**H100407** BOLT WH BLK  
(x1) | 5/16x1 1/2



**H100459** BOLT WH BLK  
(x1) | 5/16x1 1/4



**H100396** BOLT WH BLK  
(x1) | 5/16x1/2



**H100199** WASHER LOCK  
(x1) | EXT BLK  
12x19



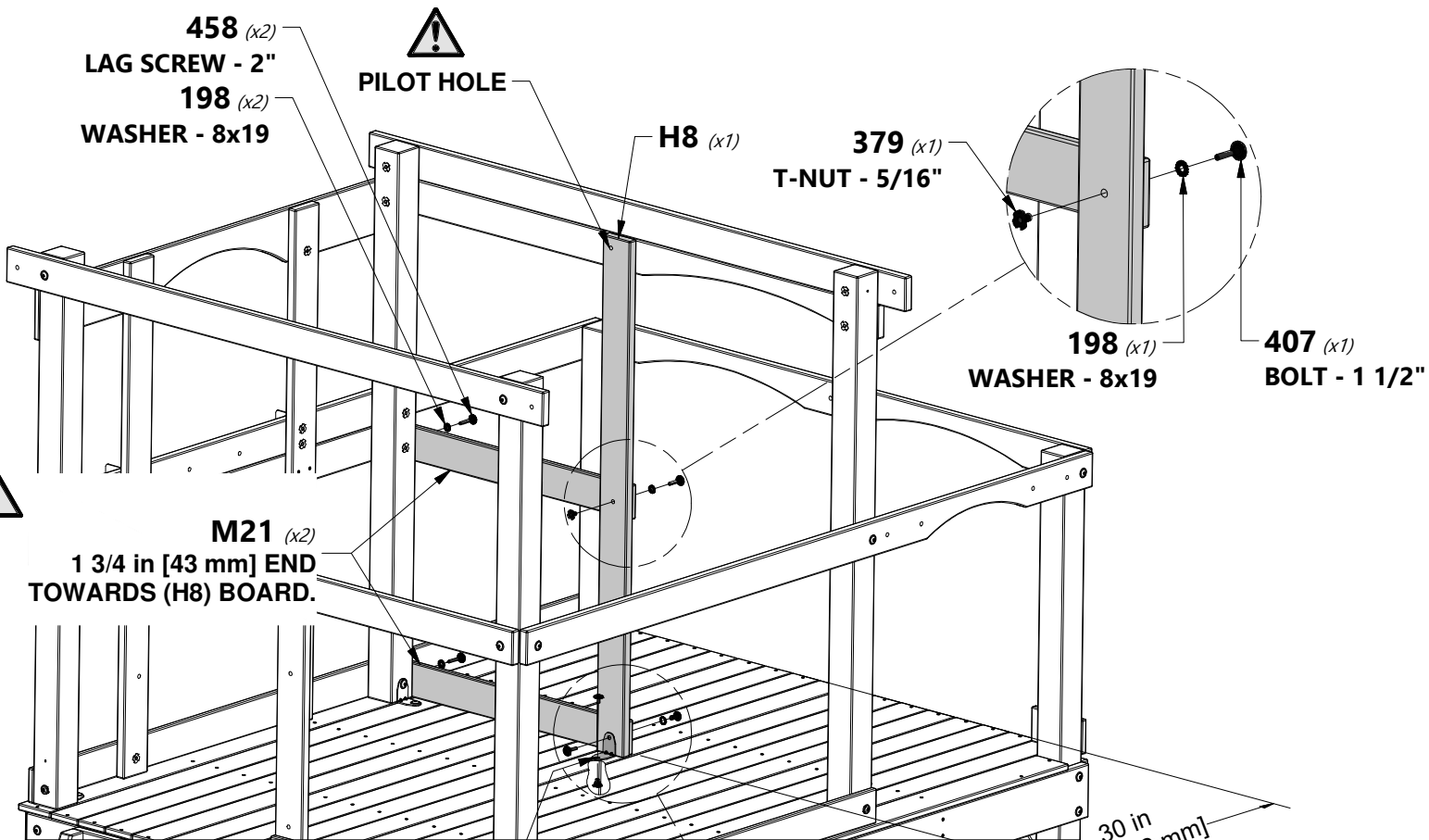
**H100198** WASHER LOCK  
(x3) | EXT BLK  
8x19



**H100379** T-NUT BLK  
(x2) | 5/16

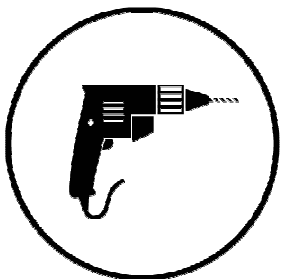


**H100192** NUT BARREL WH BLK  
(x1) | 5/16x7/8



**USING BRACKET AS A GUIDE, DRILL 3/8" [10 mm] HOLE THROUGH DECK**

**NOTE:** 30 in [762mm] FROM M31 TO EDGE OF FORT



**046 (x1)** L BRACKET 2.5x38x55x55

**396 (x1)** BOLT - 1/2"

**459 (x1)** BOLT - 1 1/4"

**379 (x1)** T-NUT - 5/16"

**192 (x1)** NUT BARREL - 7/8"

**199 (x1)** WASHER - 12x19



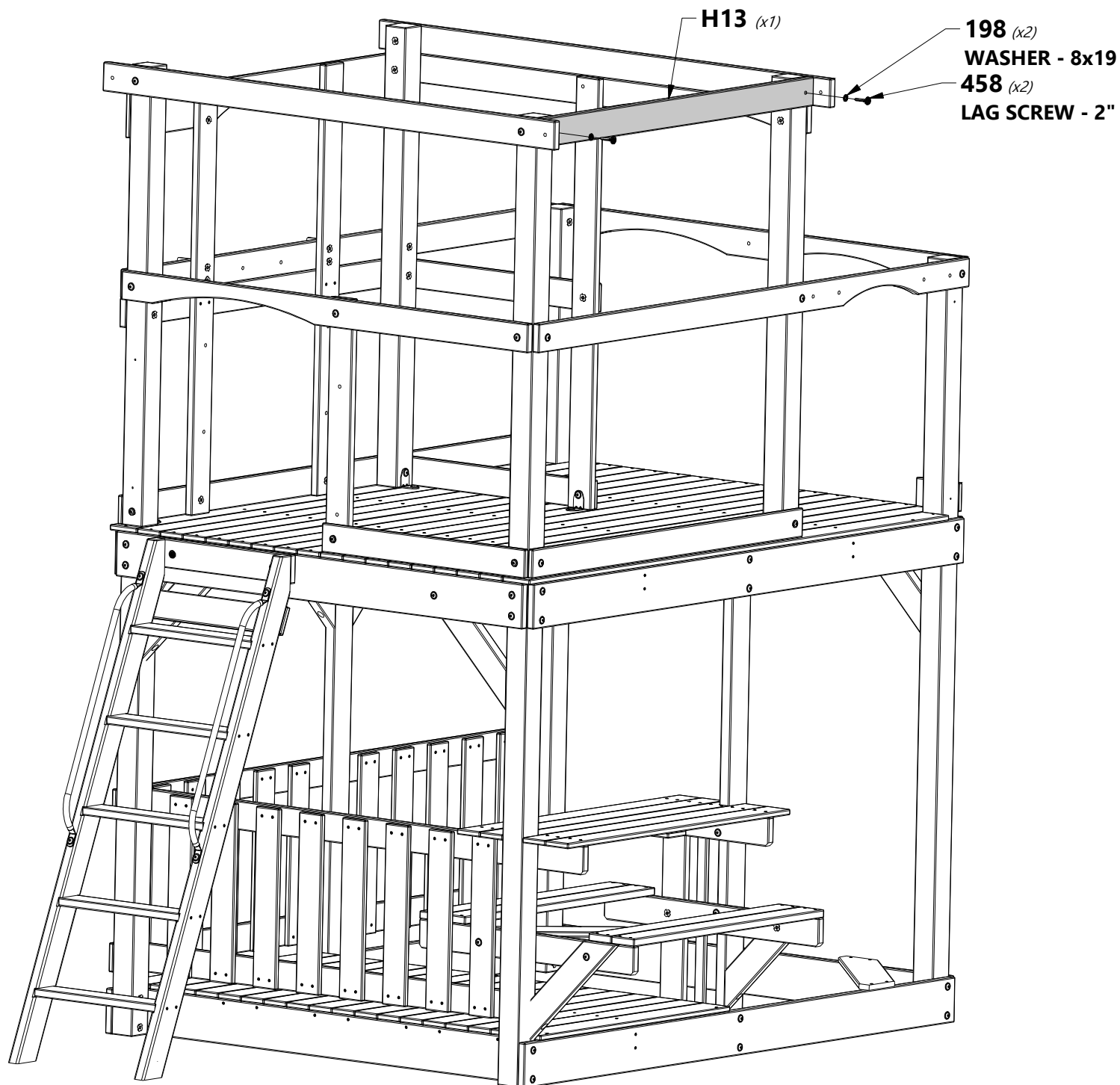
**H13** | CLUB HOUSE WALL RAIL - W4L14760  
(x1) | 1"x3 3/8"x50 1/4" (24x86x1277)

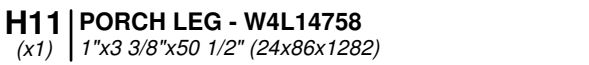
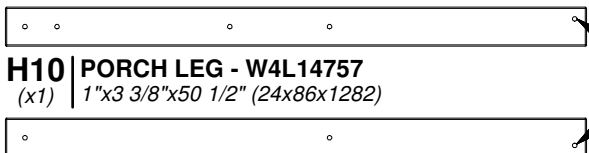


**H100458** | LAG SCREW WH BLK  
(x2) | 5/16x2



**H100198** | WASHER LOCK  
(x2) | EXT BLK  
8x19





**NOTE:** HOLES ON OUTER EDGE WHEN INSTALLED.



**A4M01046** | L BRACKET  
(x1) | 2.5x38x55x55



**H100378** | BOLT WH BLK  
(x2) | 5/16x1 3/4



**H100198** | WASHER LOCK  
(x3) | EXT BLK  
8x19



**H100407** | BOLT WH BLK  
(x1) | 5/16x1 1/2



**H100199** | WASHER LOCK  
(x1) | EXT BLK  
12x19



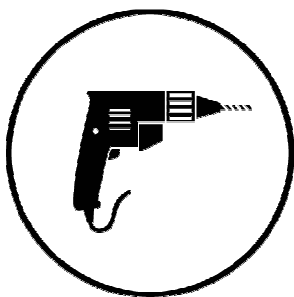
**H100396** | BOLT WH BLK  
(x2) | 5/16x1/2



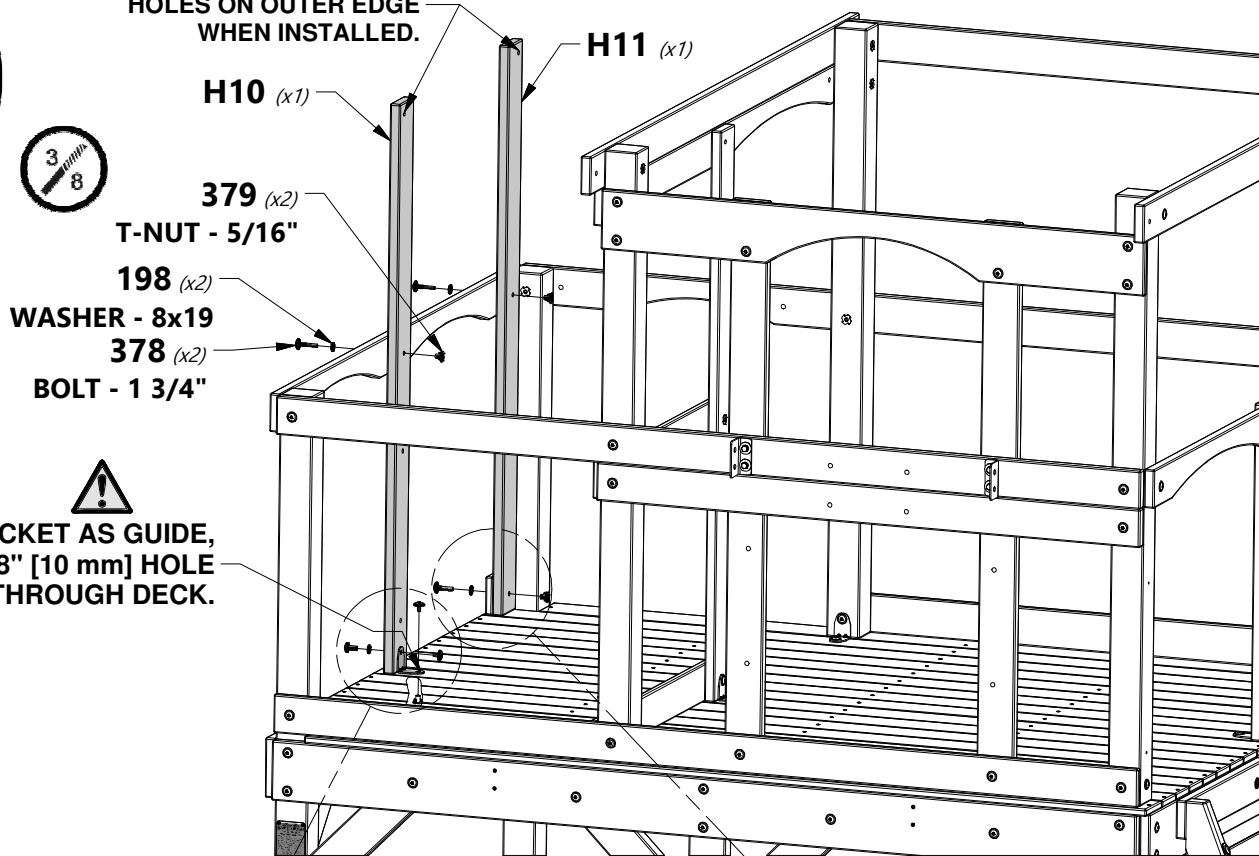
**H100379** | T-NUT BLK  
(x4) | 5/16



**H100192** | NUT BARREL WH BLK  
(x1) | 5/16x7/8

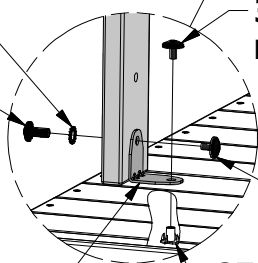


**NOTE:** HOLES ON OUTER EDGE WHEN INSTALLED.



**USING BRACKET AS GUIDE,**  
DRILL 3/8" [10 mm] HOLE  
THROUGH DECK.

**199** (x1)  
WASHER - 12x19  
**192** (x1)  
NUT BARREL - 7/8"



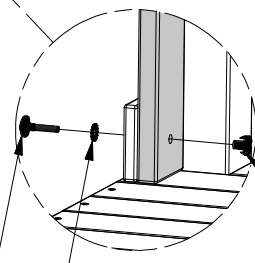
**396** (x1)  
BOLT - 1/2"

**396** (x1)  
BOLT - 1/2"

**046** (x1)  
L BRACKET 2.5x38x55x55

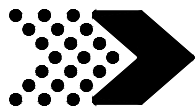
**379** (x1)  
T-NUT - 5/16"

**407** (x1)  
BOLT - 1 1/2"

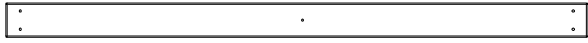


**198** (x1)  
WASHER - 8x19

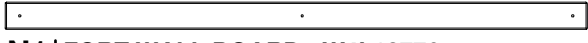
**379** (x1)  
T-NUT - 5/16"



**M8** | FORT WALL BOARD - W4L12750  
(x2) | 5/8"x3 3/8"x50 1/2" (16x86x1284)



**M9** | FORT WALL BOARD - W4L12751  
(x2) | 5/8"x3"x50 1/2" (16x76x1284)



**N1** | FORT WALL BOARD - W4L12776  
(x2) | 5/8"x2 3/8"x50 1/2" (16x60x1284)



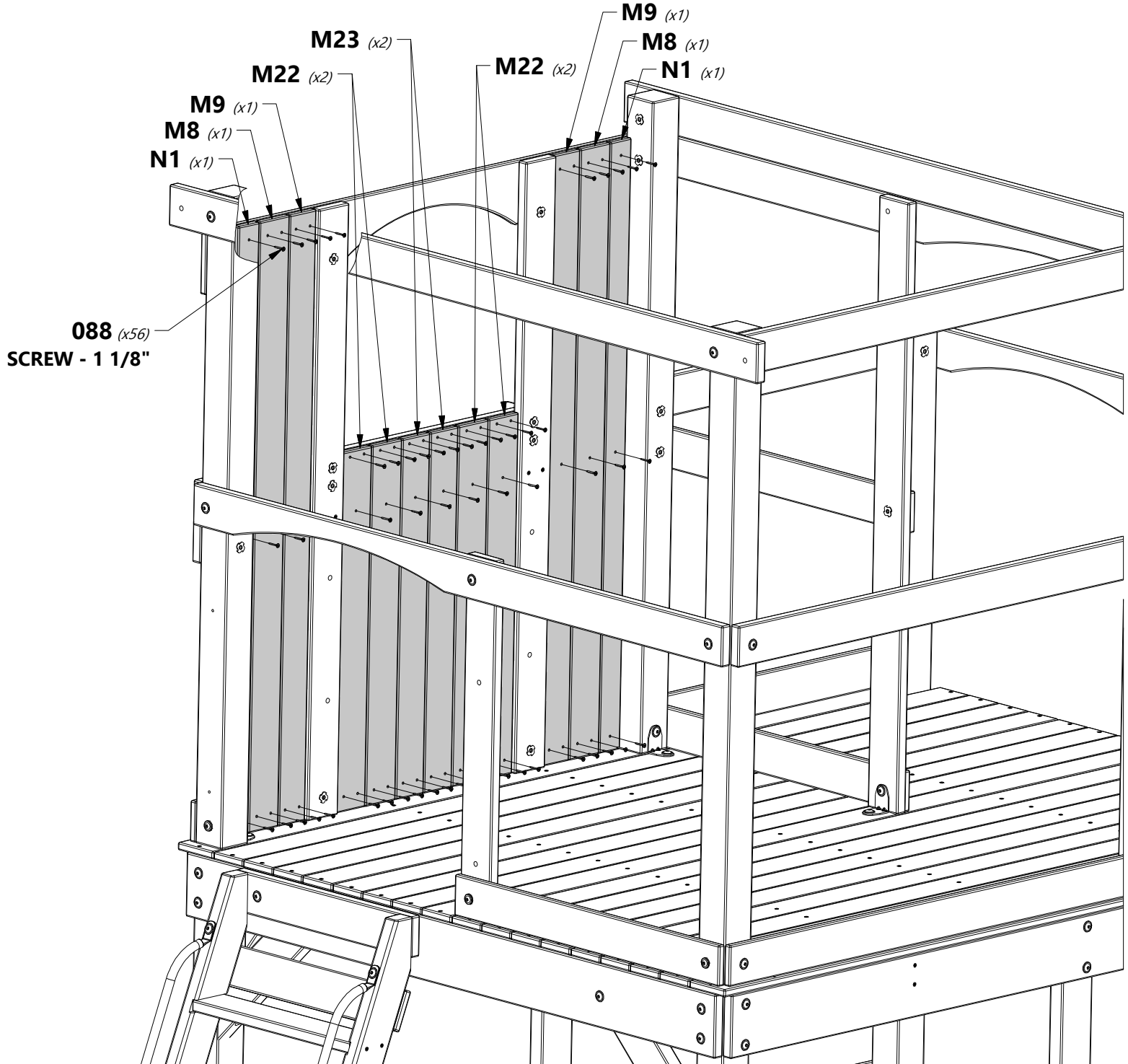
**M22** | FORT WALL BOARD - W4L12762  
(x4) | 5/8"x3 3/8"x29 7/8" (16x86x758)



**M23** | FORT WALL BOARD - W4L12763  
(x2) | 5/8"x3 1/8"x29 7/8" (16x80x758)



**H100088** | SCREW PFH  
(x56) | 8x1 1/8"





**M6** | CLUB HOUSE WALL BOARD - W4L14794  
(x1) | 5/8"x3 3/8"x53 7/8" (16x86x1370)



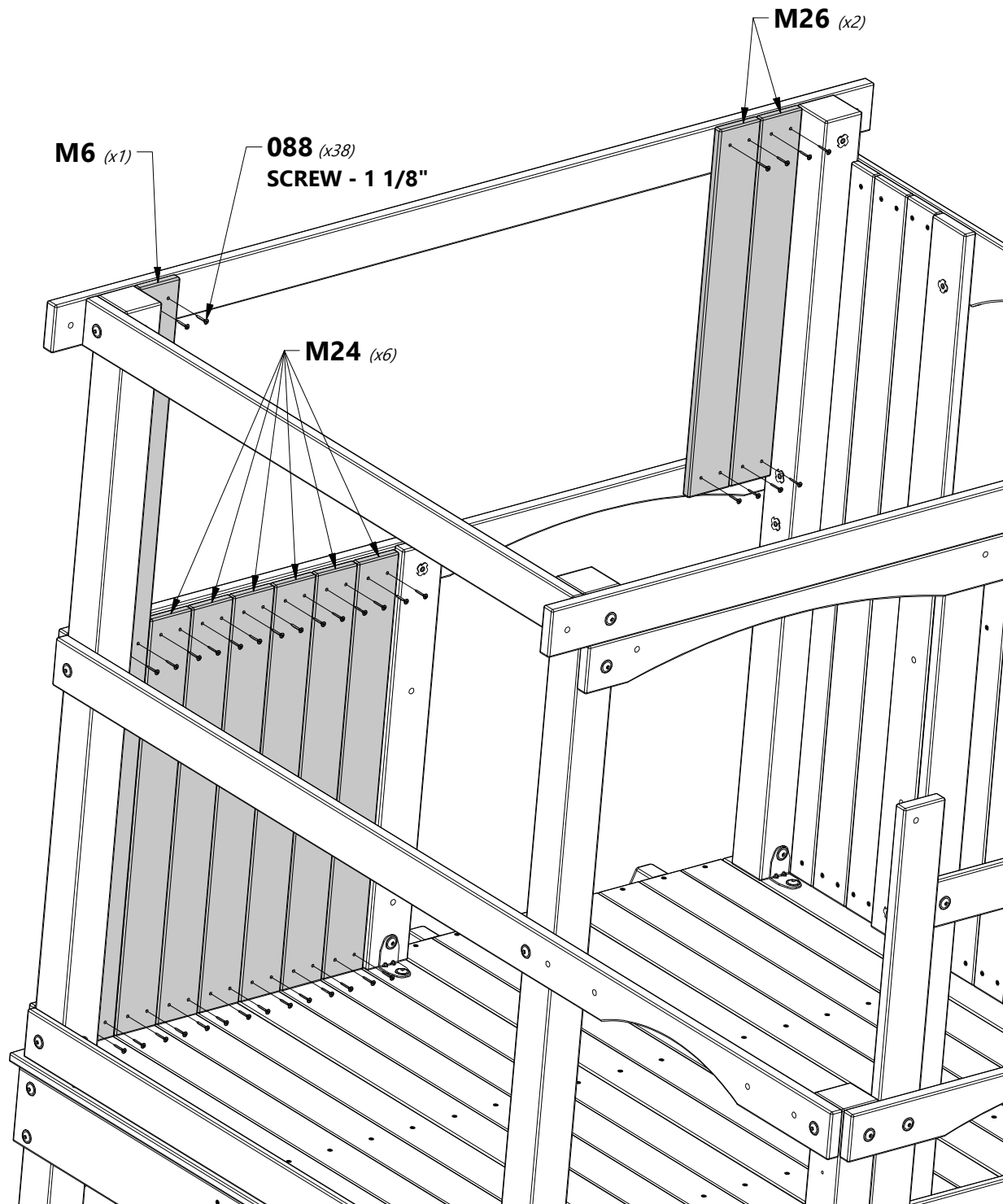
**M24** | WALL BOARD - W4L15625  
(x6) | 5/8"x3 3/8"x29 5/8" (16x86x752)

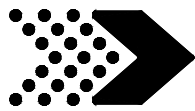


**M26** | WALL BOARD - W4L14811  
(x2) | 5/8"x3 3/8"x26 1/8" (16x86x664)



**H100088** | SCREW PFH  
(x38) | 8x1 1/8"





**M8** | FORT WALL BOARD - W4L12750  
(x5) | 5/8"x3 3/8"x50 1/2" (16x86x1284)



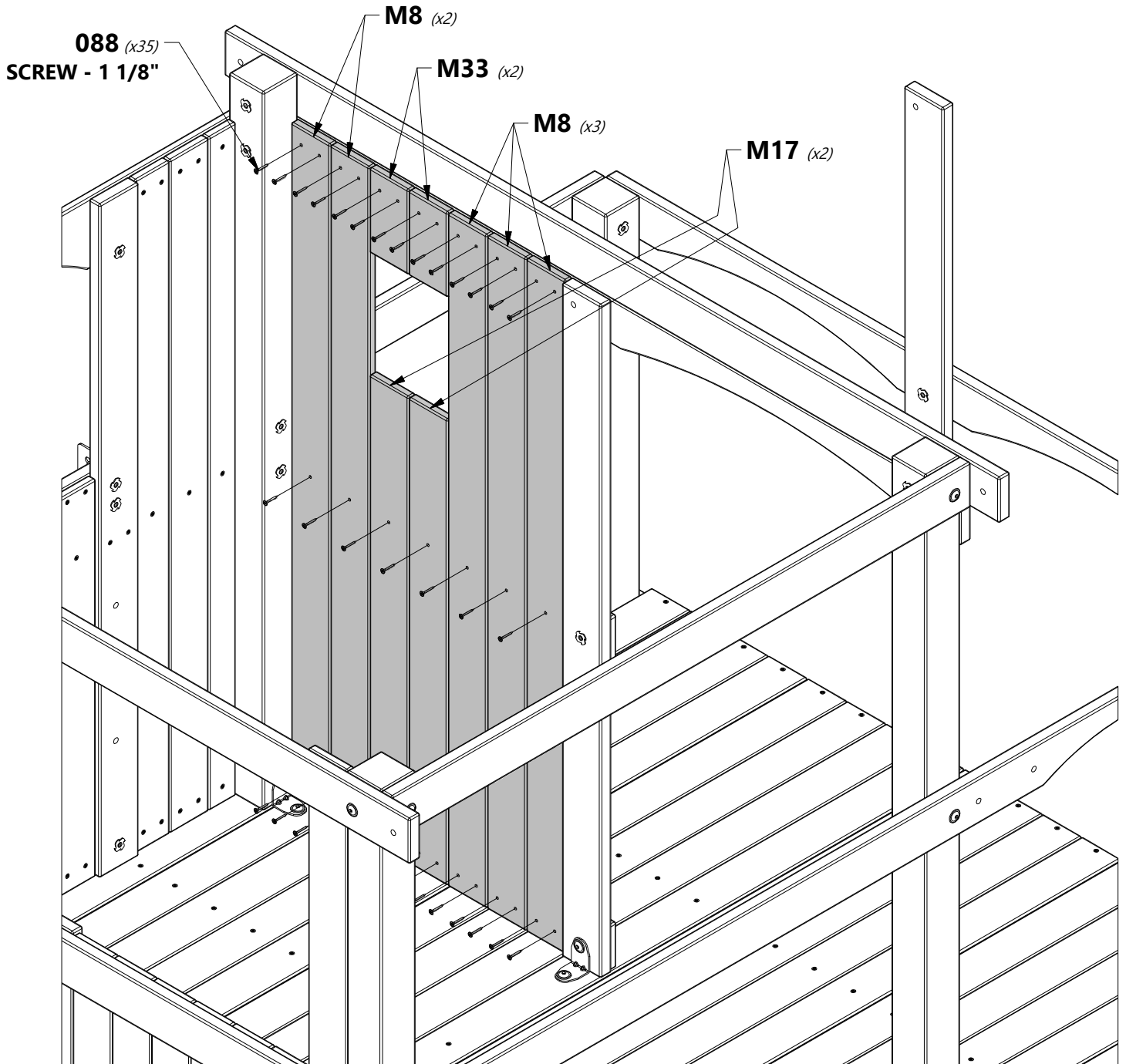
**M17** | FRONT WINDOW WALL BOARD - W4L12758  
(x2) | 5/8"x3 3/8"x35" (16x86x889)

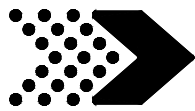


**M33** | FRONT WINDOW WALL BOARD - W4L12769  
(x2) | 5/8"x3 3/8"x6 3/8" (16x86x162)



**H100088** | SCREW PFH  
(x35) | 8x1 1/8

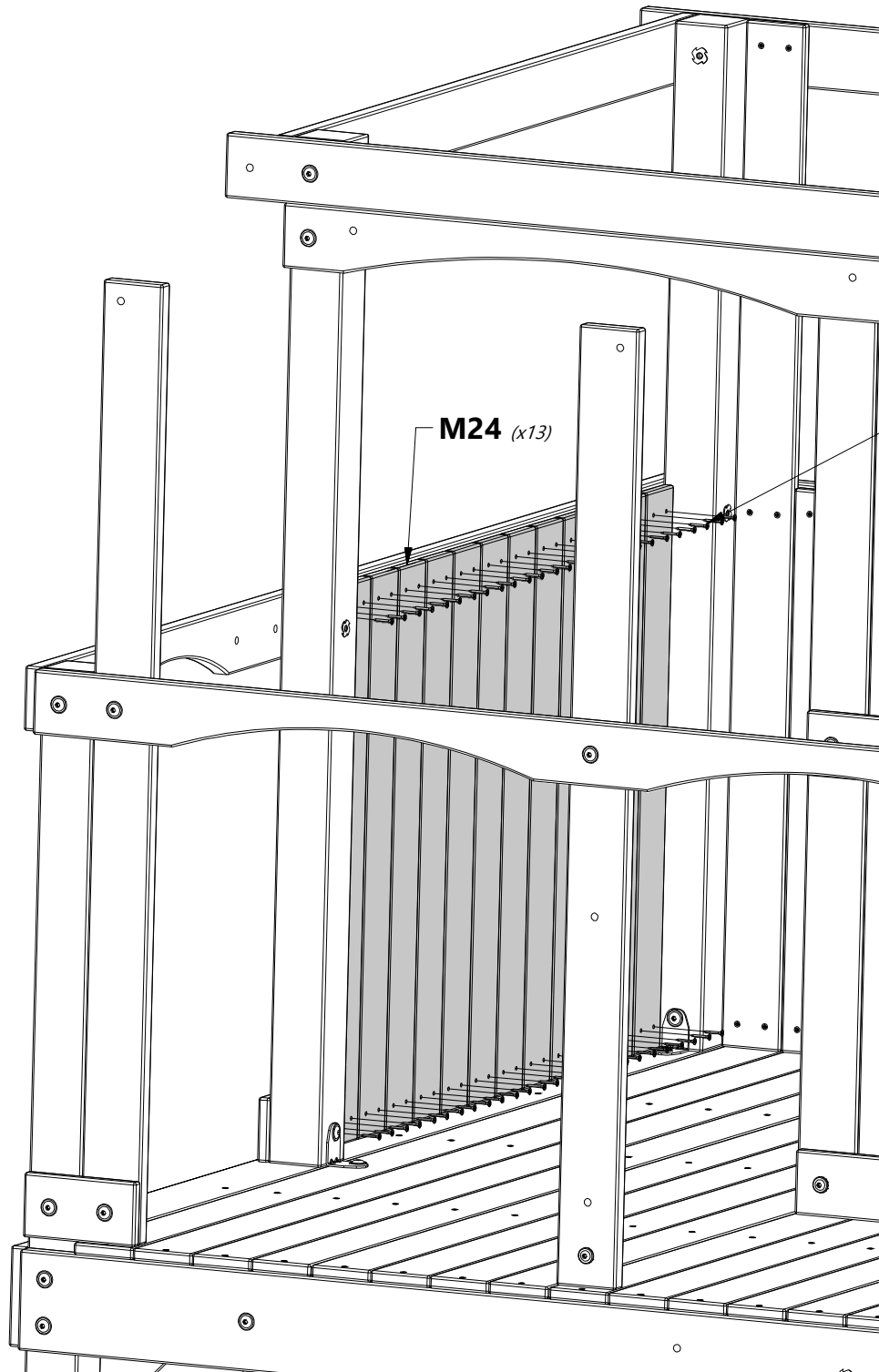




**M24 | WALL BOARD - W4L15625**  
(x13) | 5/8"x3 3/8"x29 5/8" (16x86x752)



**H100088 | SCREW PFH**  
(x52) | 8x1 1/8"

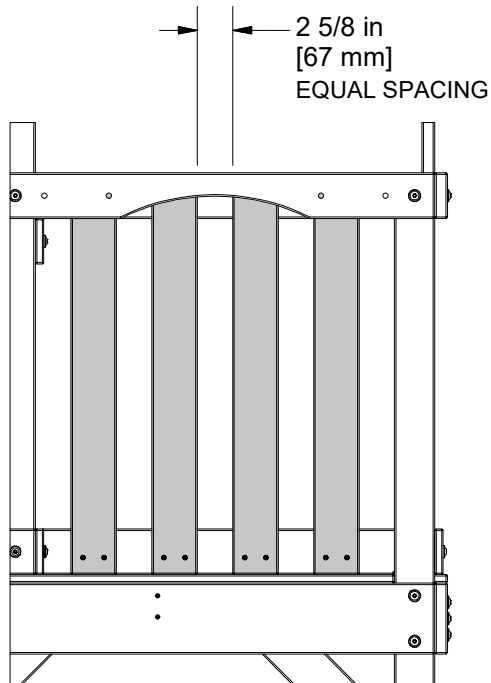
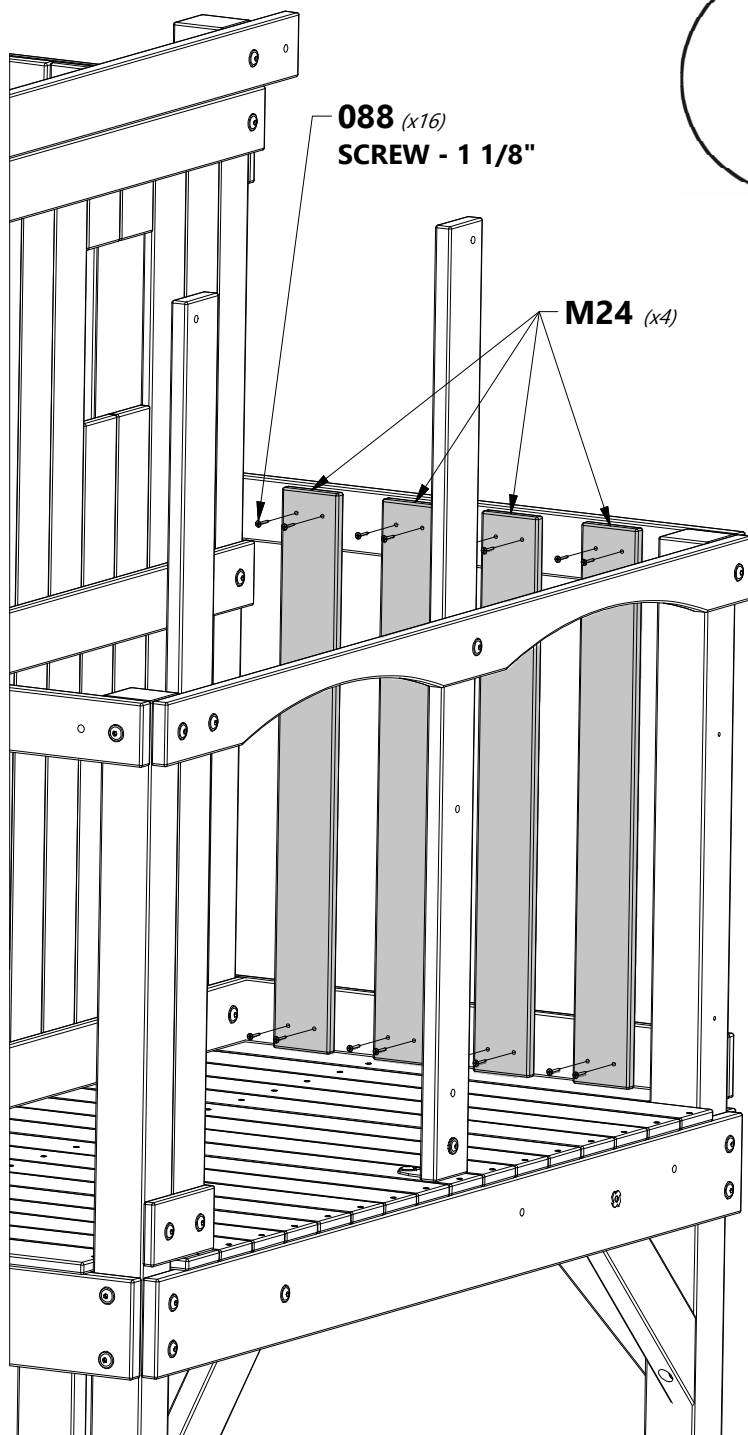
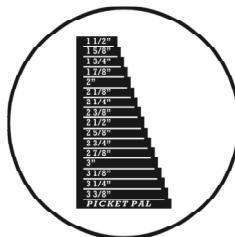


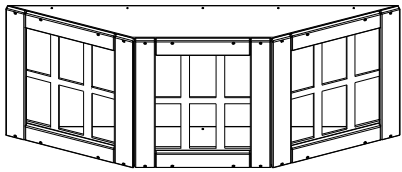
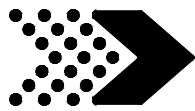


**M24 | WALL BOARD - W4L15625**  
(x4) | 5/8"x3 3/8"x29 5/8" (16x86x752)



**H100088 | SCREW PFH**  
(x16) | 8x1 1/8





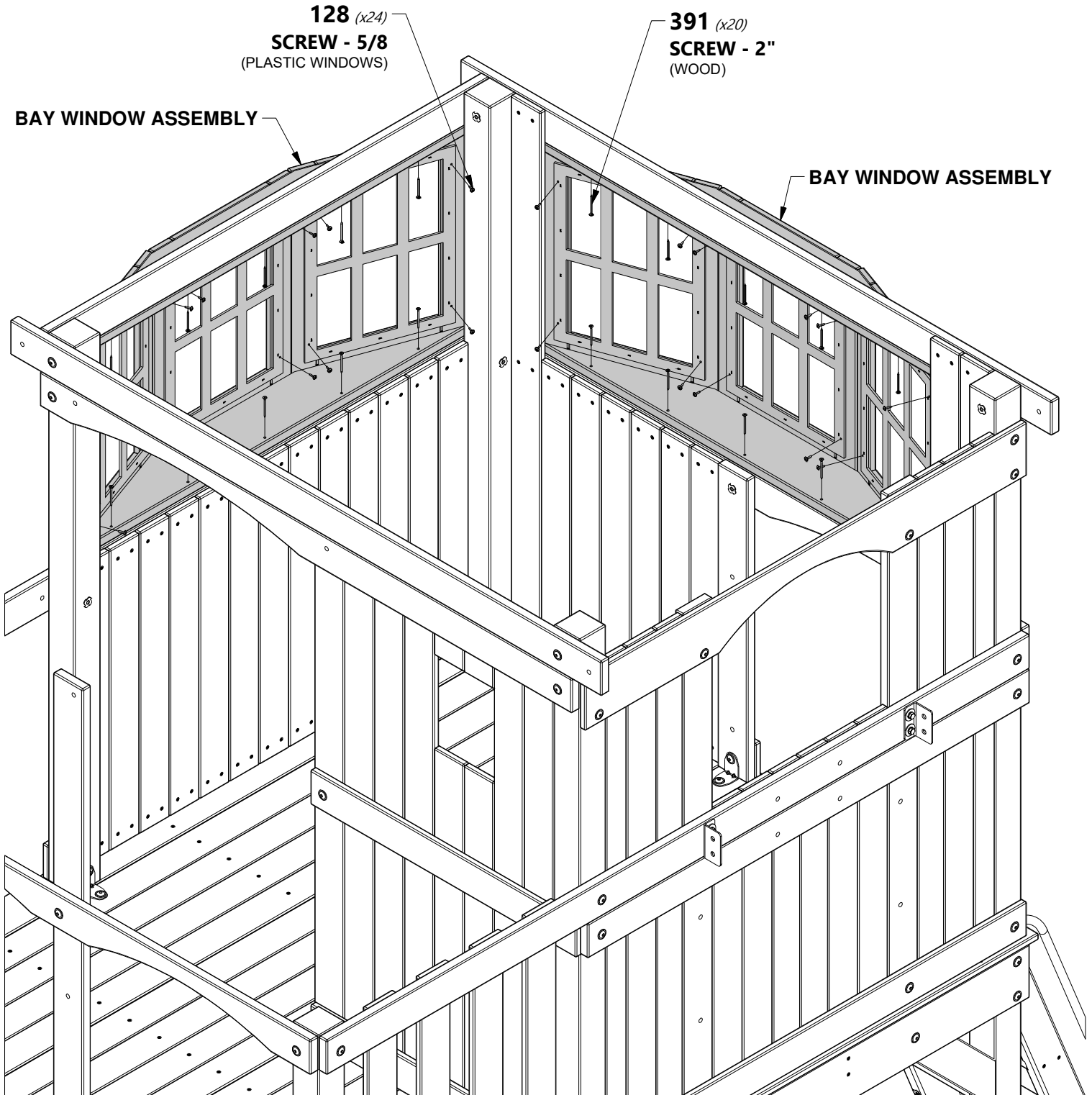
(x2) **BAY WINDOW ASSEMBLY**

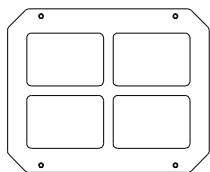


**H100391 | SCREW PFH BLK**  
(x20) 8x2



**H100128 | SCREW PWH**  
(x24) 8x5/8

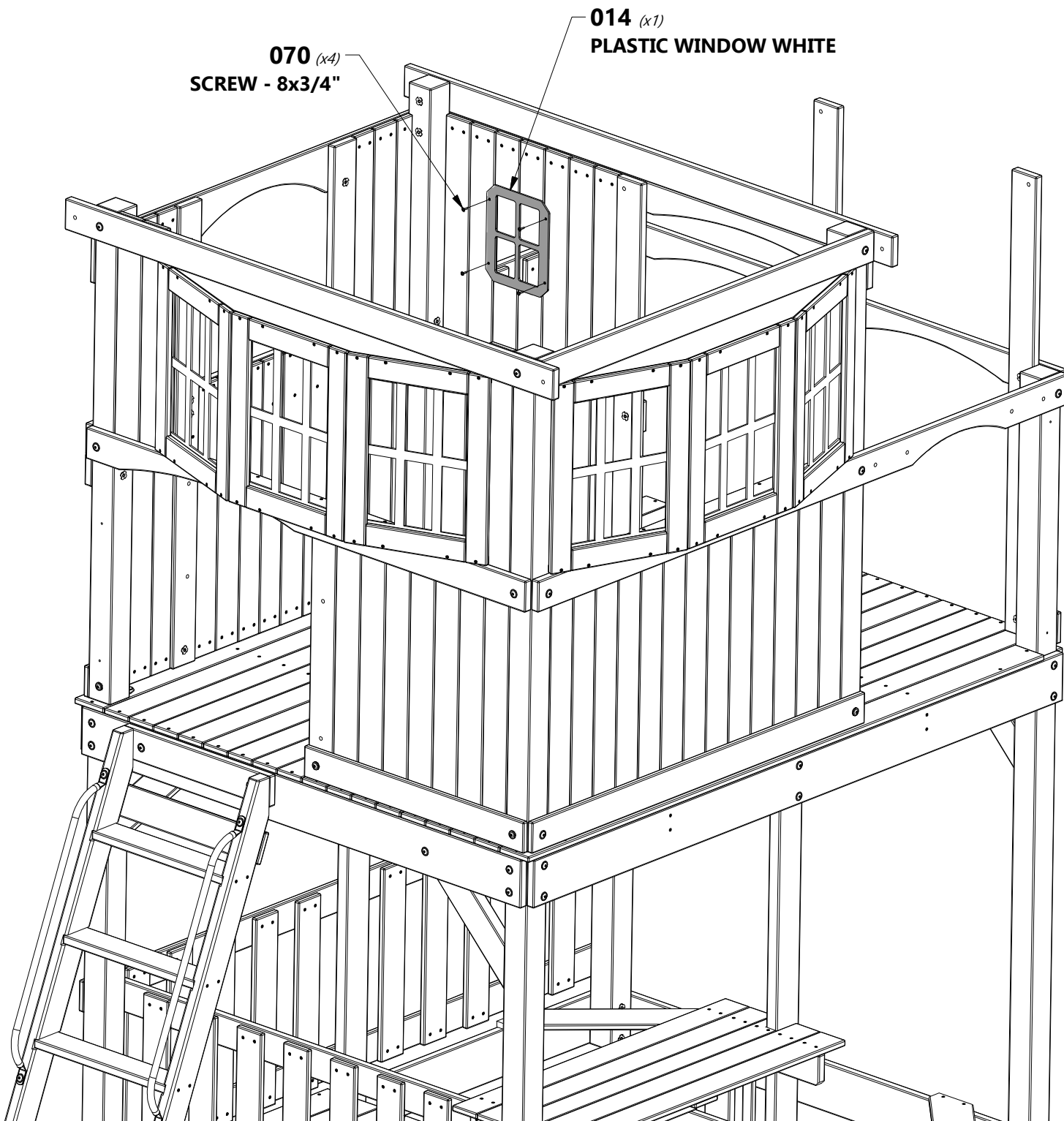




**A100014** | PLASTIC WINDOW WHITE  
(x1)



**H100070** | SCREW PWH  
(x4) 8x3/4





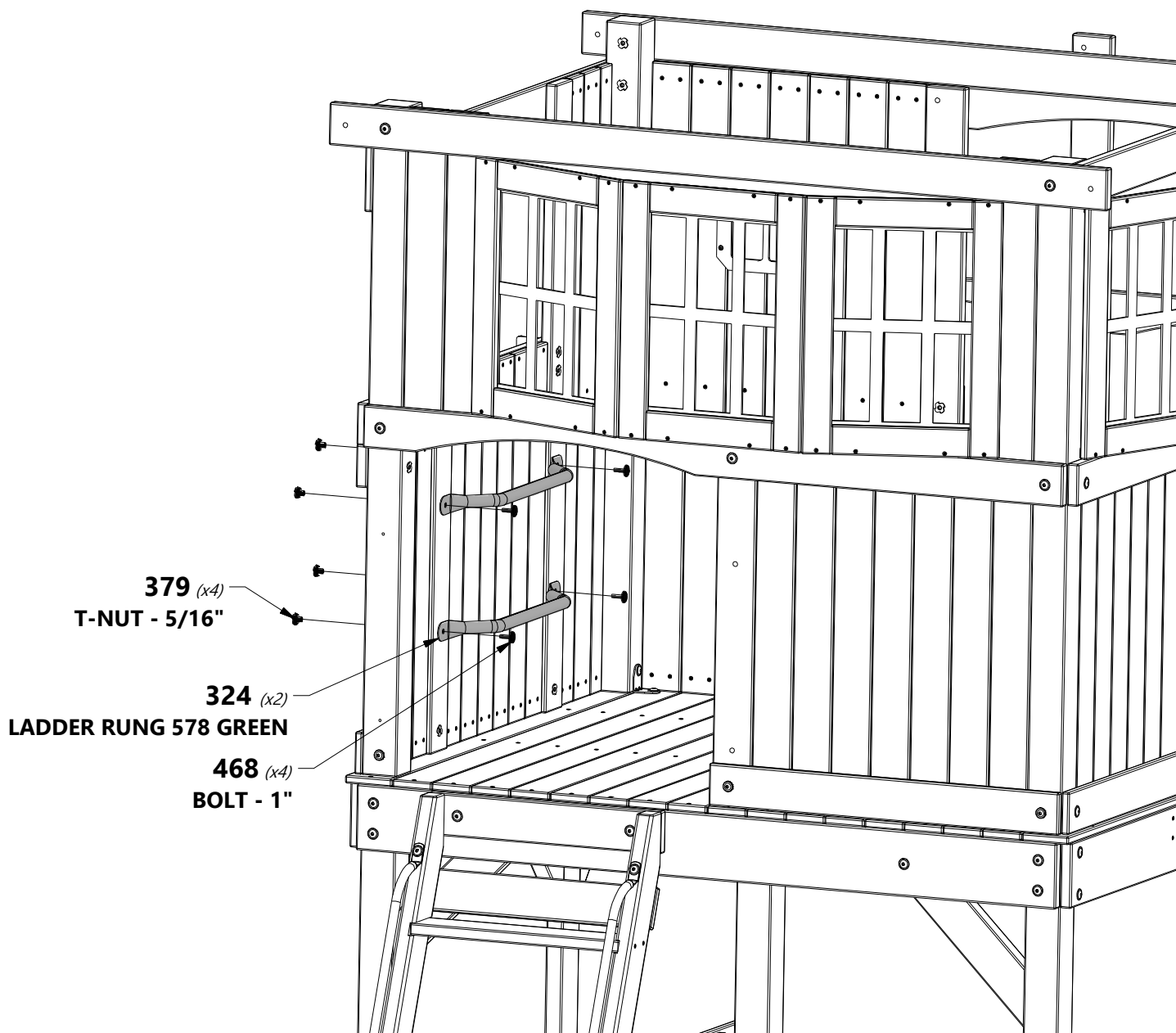
**A100324** | LADDER RUNG 578 GREEN  
(x2)



**H100468** | BOLT WH BLK  
(x4) | 5/16x1



**H100379** | T-NUT BLK  
(x4) | 5/16





**H12 | ROOF RAFTER - W4L14759**  
(x4) | 1"x3 3/8"x50 3/8" (24x86x1278)



**H100378 | BOLT WH BLK**  
(x4) | 5/16x1 3/4



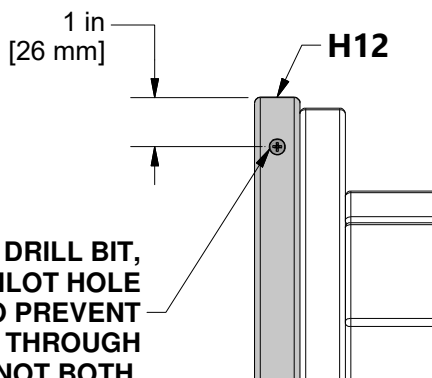
**H100091 | SCREW PFH**  
(x2) | 8X2 1/4



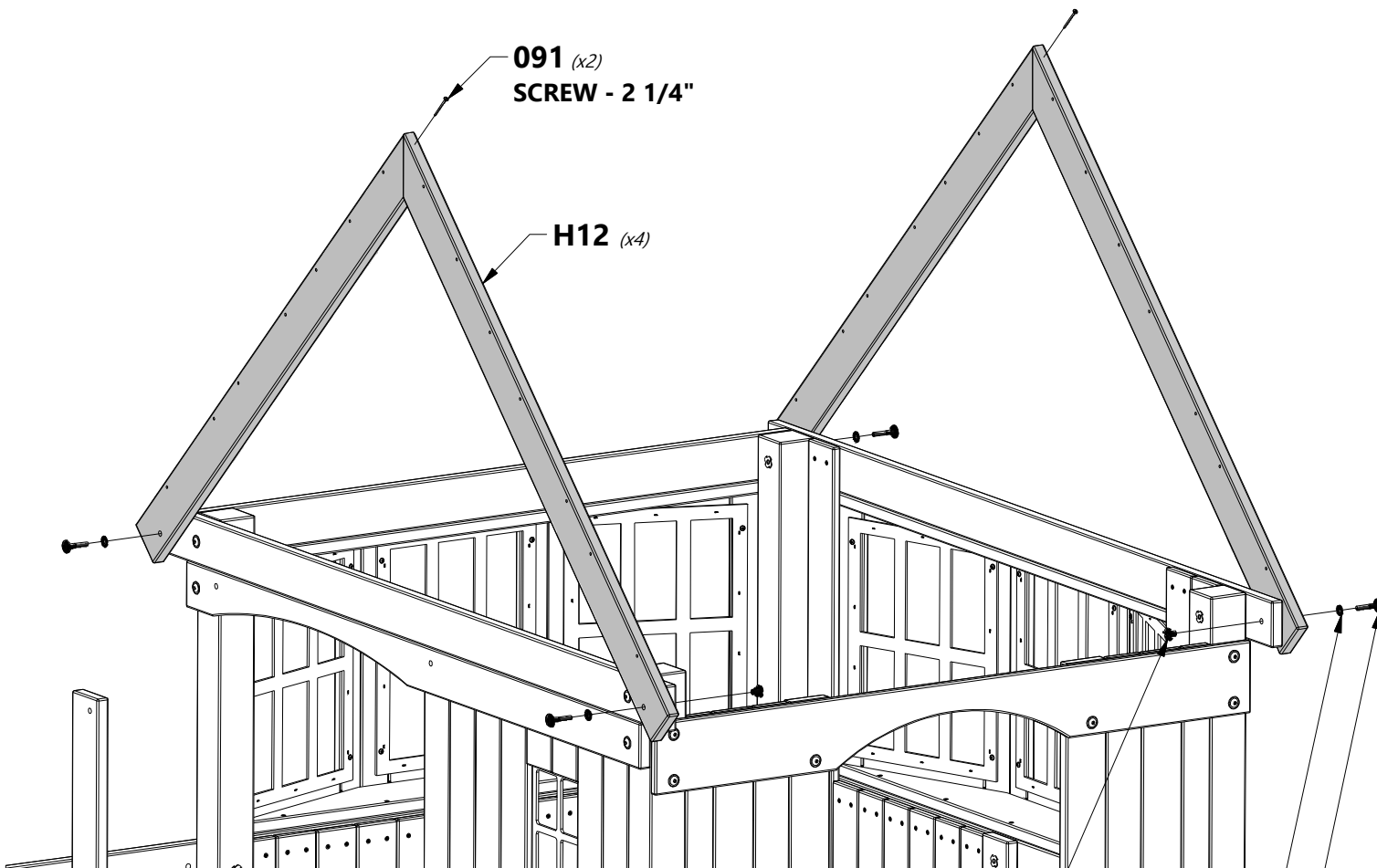
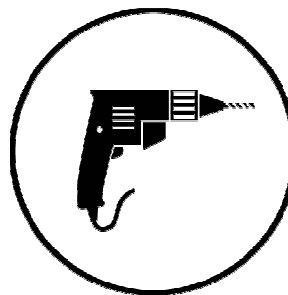
**H100198 | WASHER LOCK**  
(x4) | EXT BLK  
8x19



**H100379 | T-NUT BLK**  
(x4) | 5/16



**USING A 3/16" [5 mm] DRILL BIT, MARK AND DRILL A PILOT HOLE INTO 'H12' RAFTER TO PREVENT SPLITTING. ONLY DRILL THROUGH ONE RAFTER NOT BOTH.**



**091 (x2) | SCREW - 2 1/4"**

**H12 (x4)**

**379 (x4)**

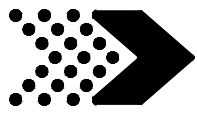
**T-NUT - 5/16"**

**198 (x4)**

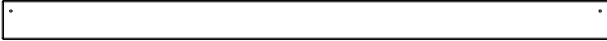
**WASHER - 8x19**

**378 (x4)**

**BOLT - 1 3/4"**



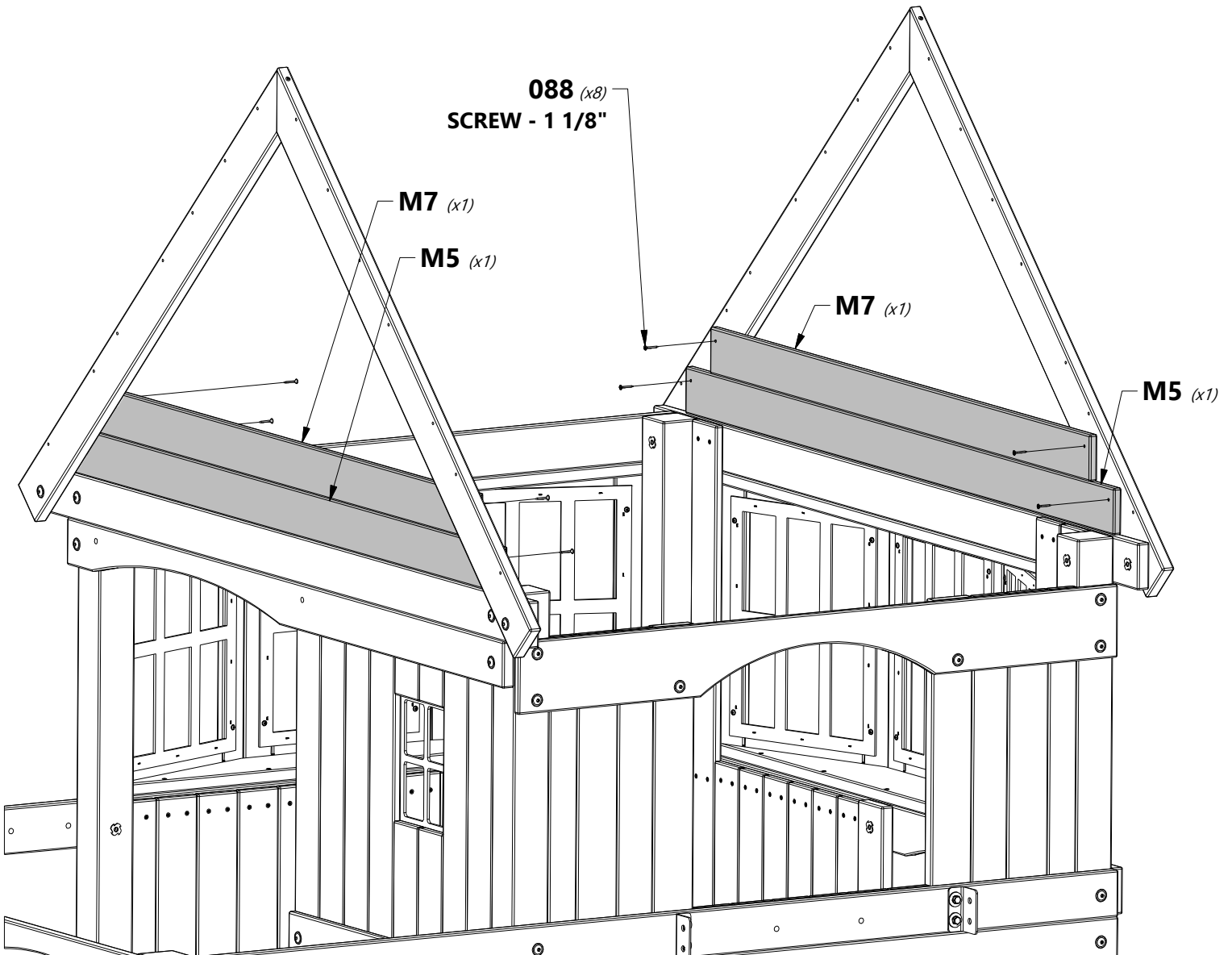
**M5** GABLE BOARD - W4L14793  
(x2) 5/8"x3 3/8"x59 1/2" (16x86x1510)



**M7** GABLE BOARD - W4L14795  
(x2) 5/8"x3 3/8"x52 5/8" (16x86x1338)



**H100088** SCREW PFH  
(x8) 8x1 1/8





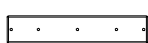
**M28** | GABLE WINDOW BOARD - W4L14813  
(x2) | 5/8"x3 3/8"x19 1/2" (16x86x496)



**M31** | GABLE WINDOW BOARD - W4L14816  
(x2) | 5/8"x3 3/8"x12 3/4" (16x86x324)



**M29** | GABLE WINDOW BOARD - W4L14814  
(x2) | 5/8"x3 3/8"x16 1/8" (16x86x410)



**N6** | WINDOW TRIM - W4L14830  
(x2) | 5/8"x2 3/8"x12 1/4" (16x60x310)



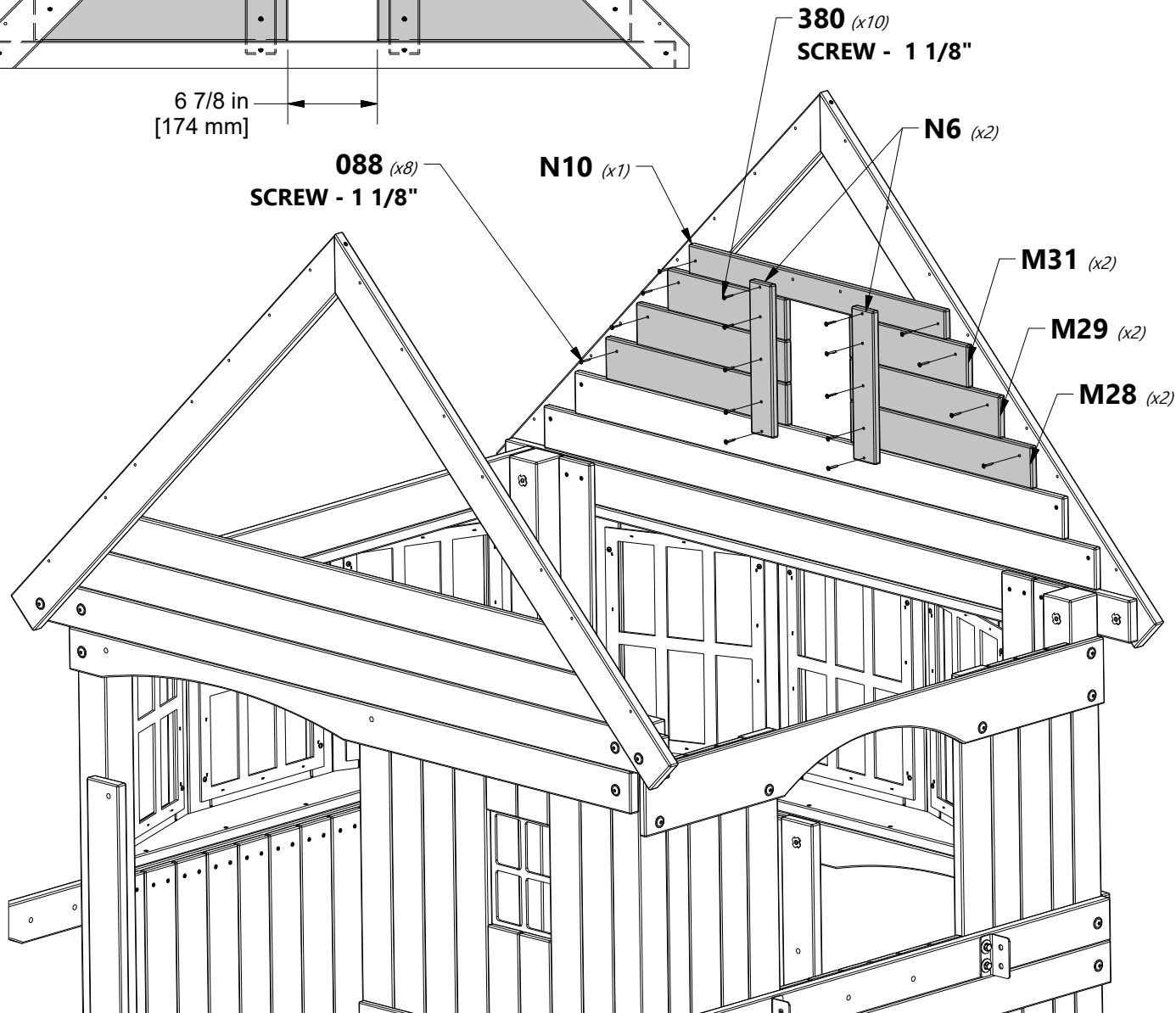
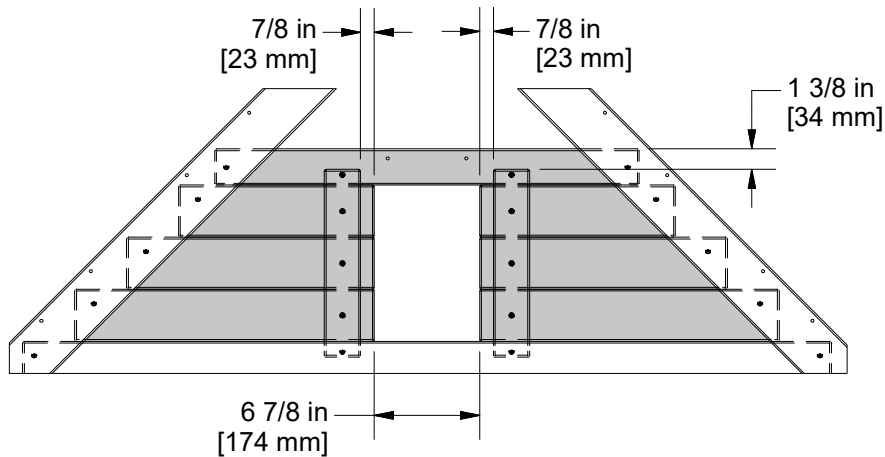
**N10** | GABLE BOARD - W4L14834  
(x1) | 5/8"x2 3/8"x27 5/8" (16x60x702)

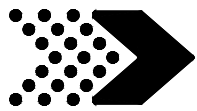


**H100088** | SCREW PFH  
(x8) | 8x1 1/8



**H100380** | SCREW PFH BLK  
(x10) | 8x1 1/8





**M12** | GABLE BOARD - W4L14800  
(x1) | 5/8"x3 3/8"x45 7/8" (16x86x1166)



**M14** | GABLE BOARD - W4L14802  
(x1) | 5/8"x3 3/8"x39 1/8" (16x86x994)



**M18** | GABLE BOARD - W4L14805  
(x1) | 5/8"x3 3/8"x32 3/8" (16x86x822)



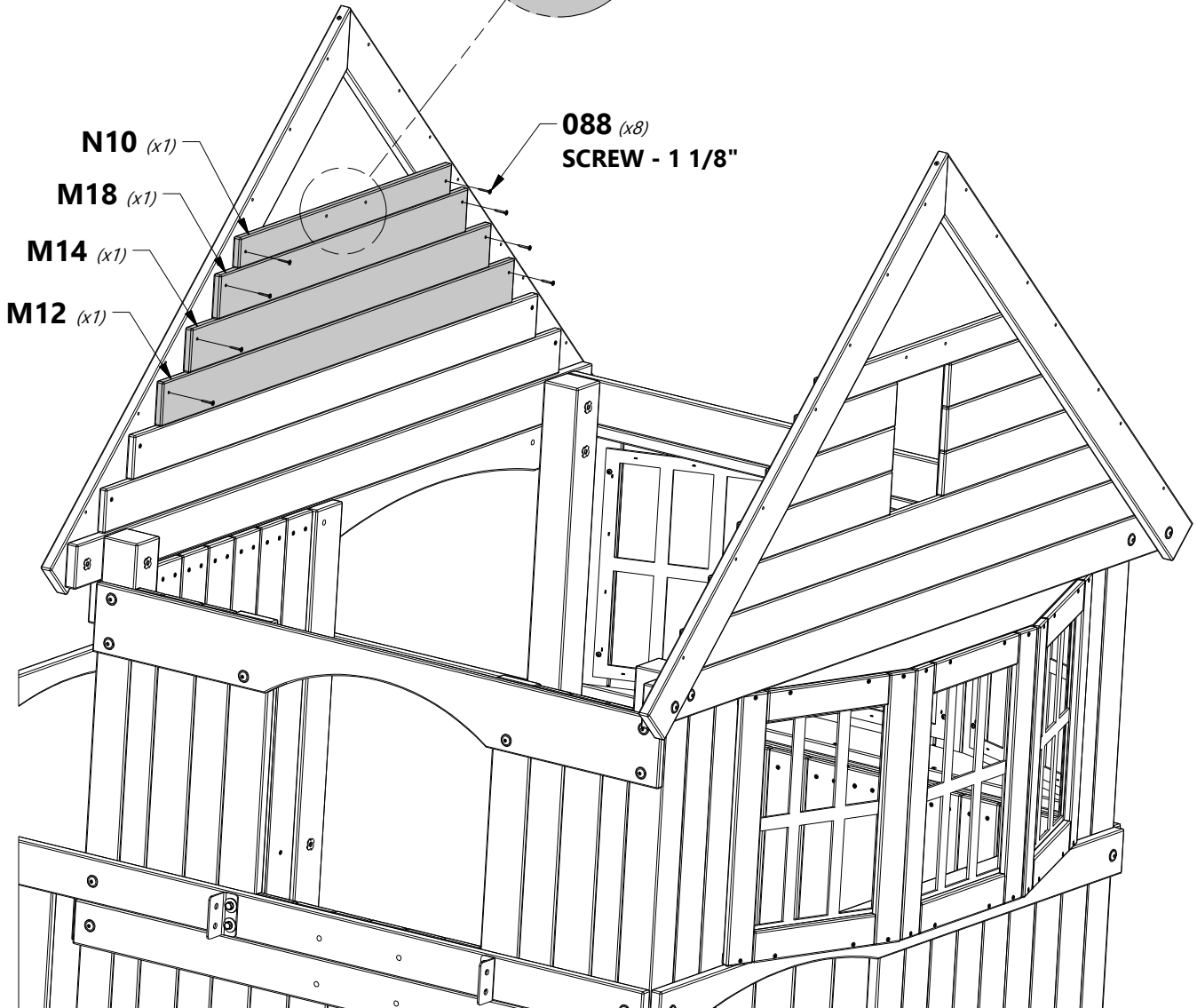
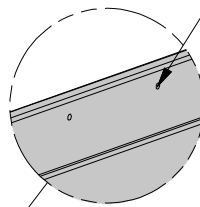
**N10** | GABLE BOARD - W4L14834  
(x1) | 5/8"x2 3/8"x27 5/8" (16x60x702)

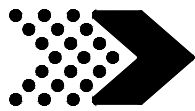


**H100088** | SCREW PFH  
(x8) | 8x1 1/8



**NOTE HOLE LOCATIONS**

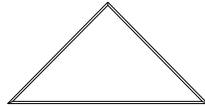




**N11** | GABLE TRIM - W4L15716  
(x2) | 5/8"x2 3/8"x11 1/2" (16x60x292)



**N9** | GABLE TRIM - W4L14833  
(x4) | 5/8"x2 3/8"x6 1/2" (16x60x165)



**K6** | TRIANGLE SUNBURST - W4L14786  
(x2) | 5/8"x5 1/4"x10 3/8" (16x134x265)



**H100088** | SCREW PFH  
(x4) | 8x1 1/8

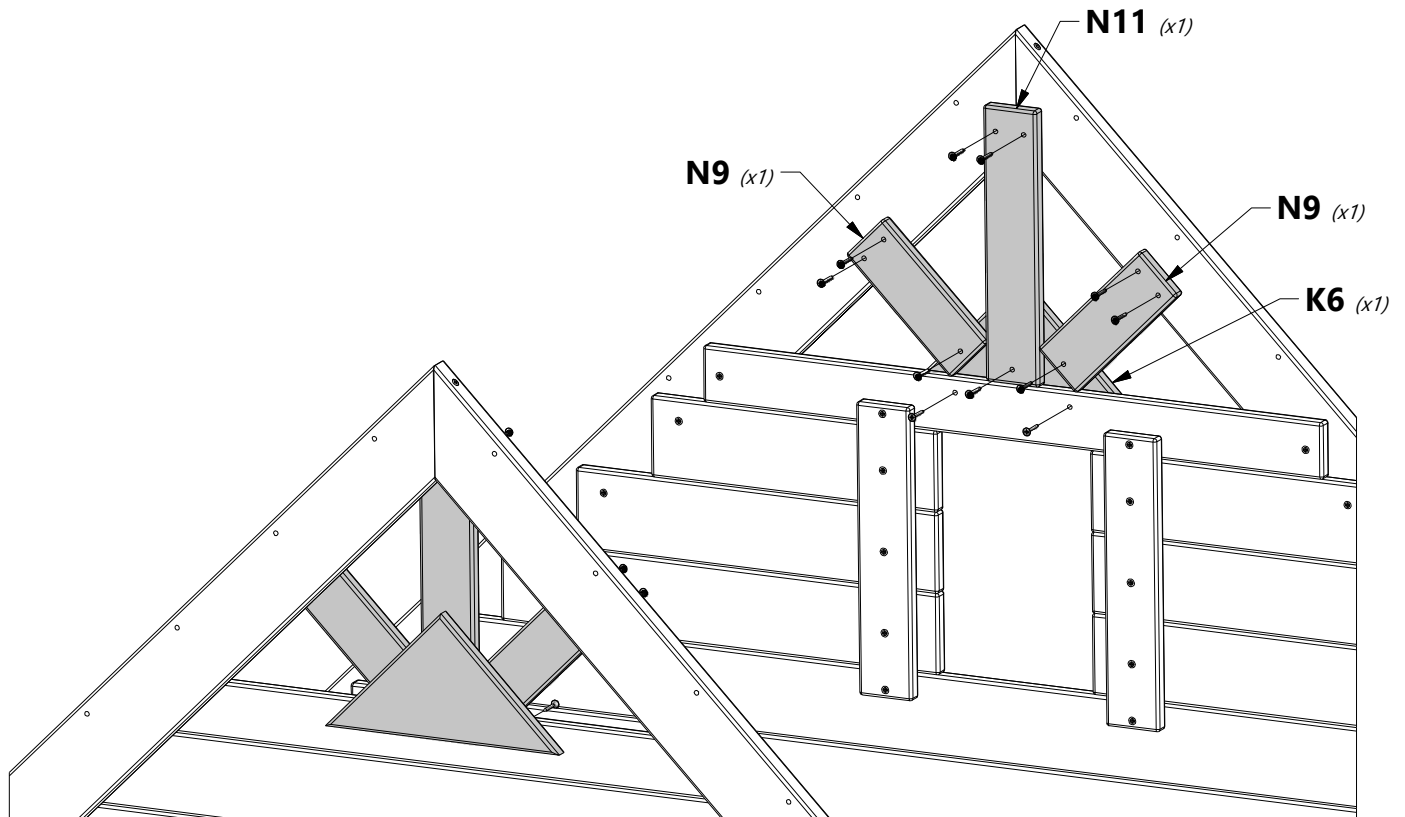
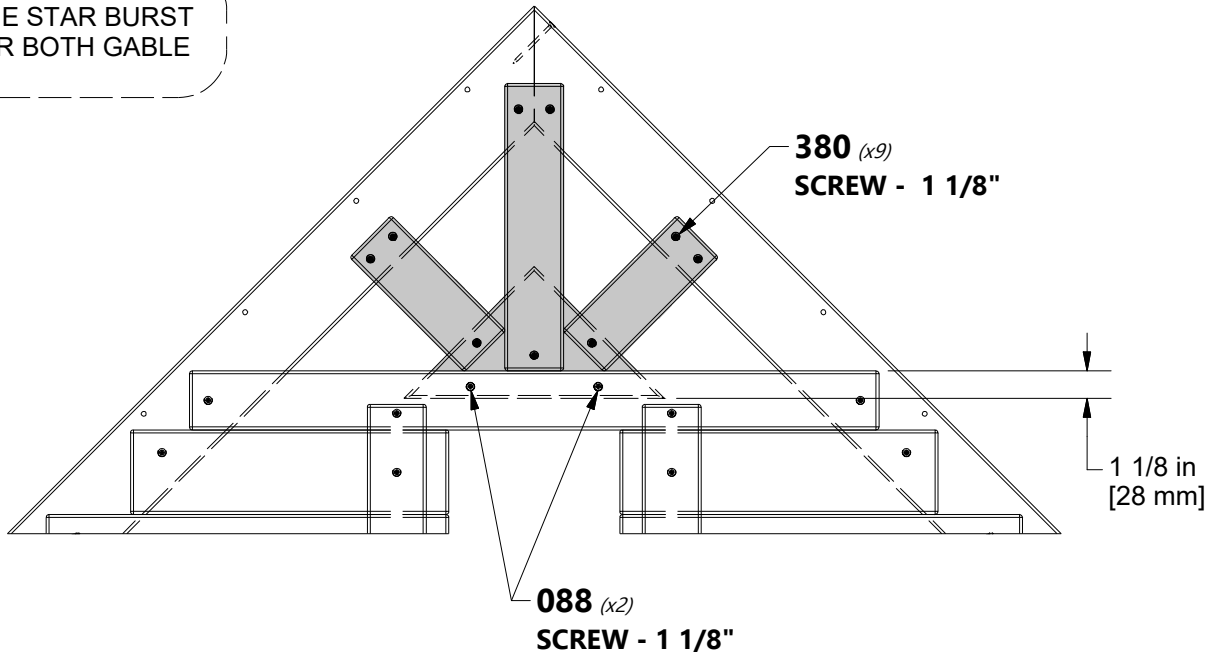


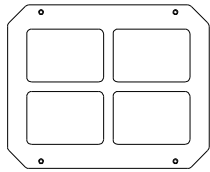
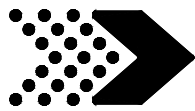
**H100380** | SCREW PFH BLK  
(x18) | 8x1 1/8



**NOTE:**

ASSEMBLE THE STAR BURST THE SAME FOR BOTH GABLE ENDS.

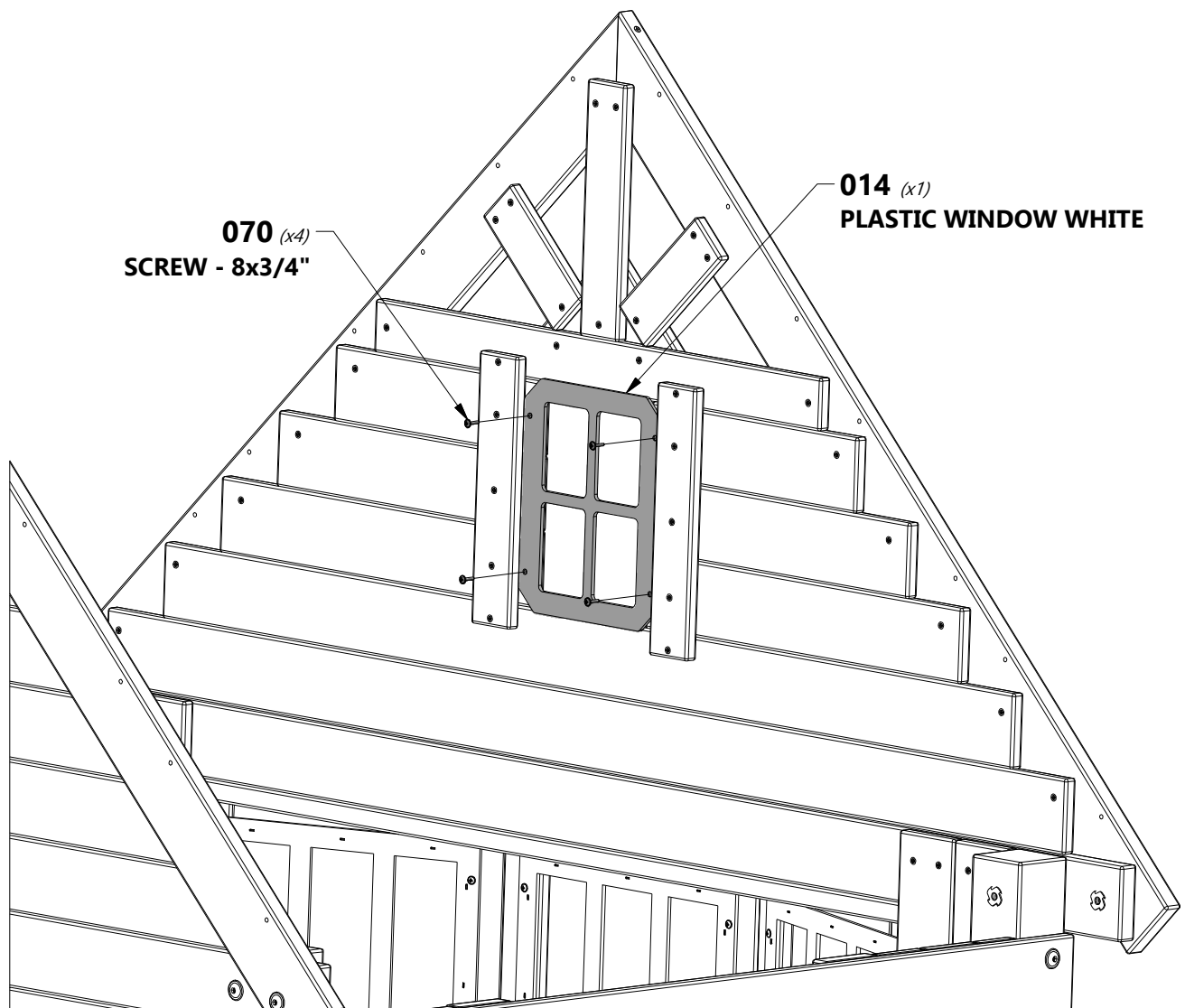


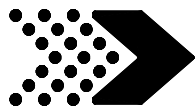


**A100014** | **PLASTIC WINDOW WHITE**  
(x1)



**H100070** | **SCREW PWH**  
(x4) | 8x3/4





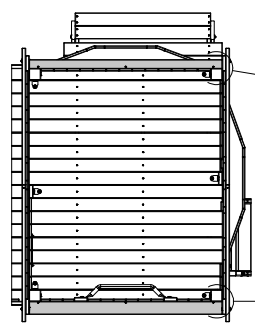
**M11** | SOFFIT CAP - W4L14799  
(x1) | 5/8"x3 3/8"x50 1/4" (16x86x1277)



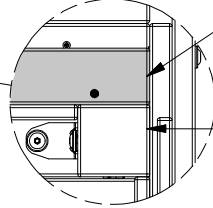
**N2** | SOFFIT CAP - W4L14826  
(x1) | 5/8"x2 3/8"x50 1/4" (16x60x1277)



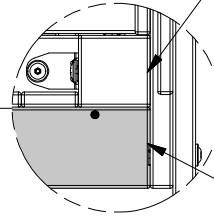
**H100200** | SCREW PFH BLK  
(x6) | 8x1 1/2



**TOP VIEW**



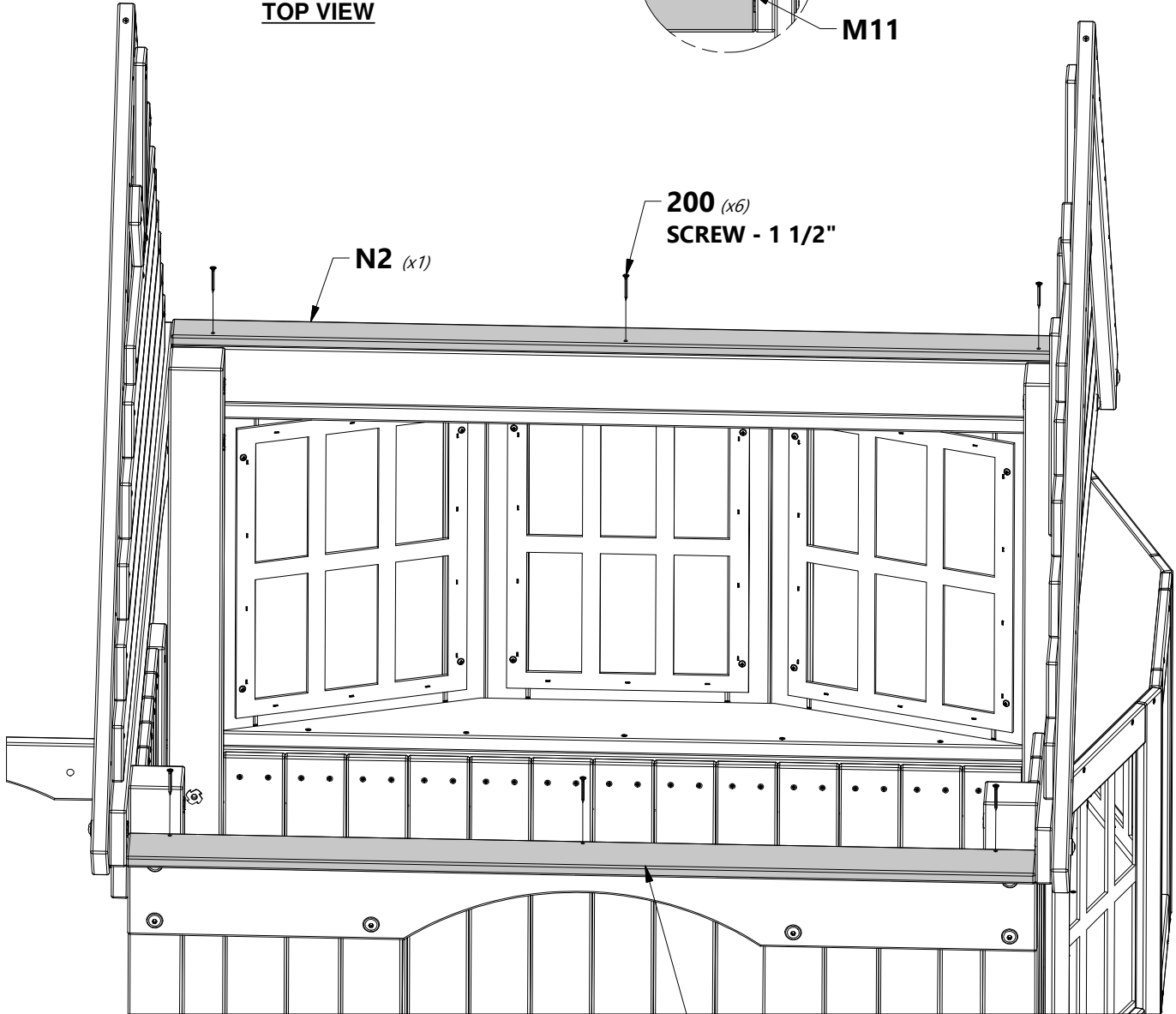
**N2**



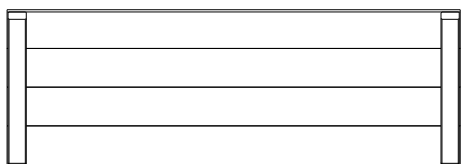
**M11**



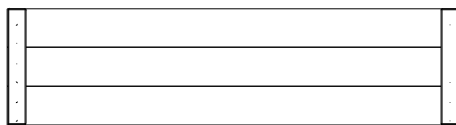
**INSTALL (N2) & (M11) BOARDS  
BESIDE UPRIGHTS**



**M11** (x1)



**RP3** | PEAK ROOF PANEL - W2A03144  
(x1) | 1 5/8"x20 5/8"x59" (42x524x1499)



**RP6** | ROOF PANEL - W2A03147  
(x2) | 1 5/8"x15 5/8"x59" (42x396x1499)

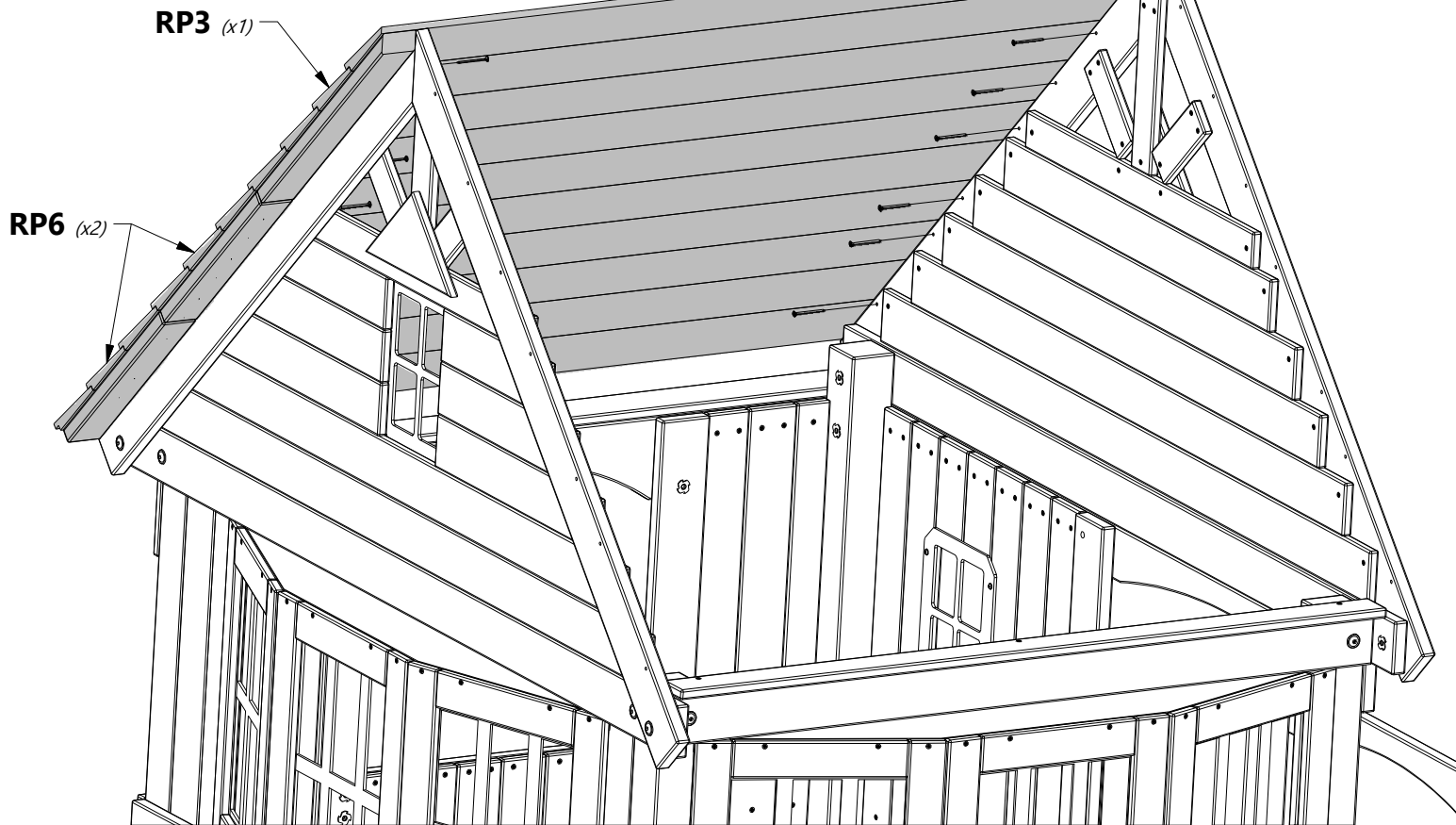


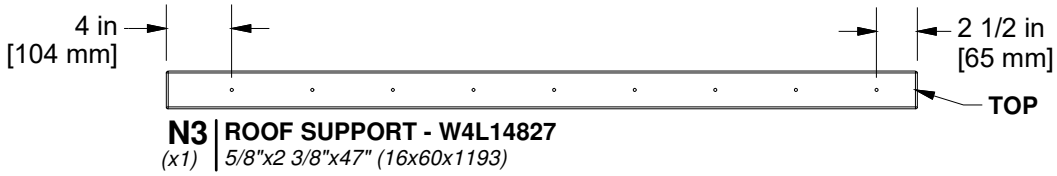
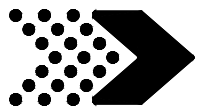
**H100483** | SCREW PFH BLK  
(x14) | 8x2 1/4



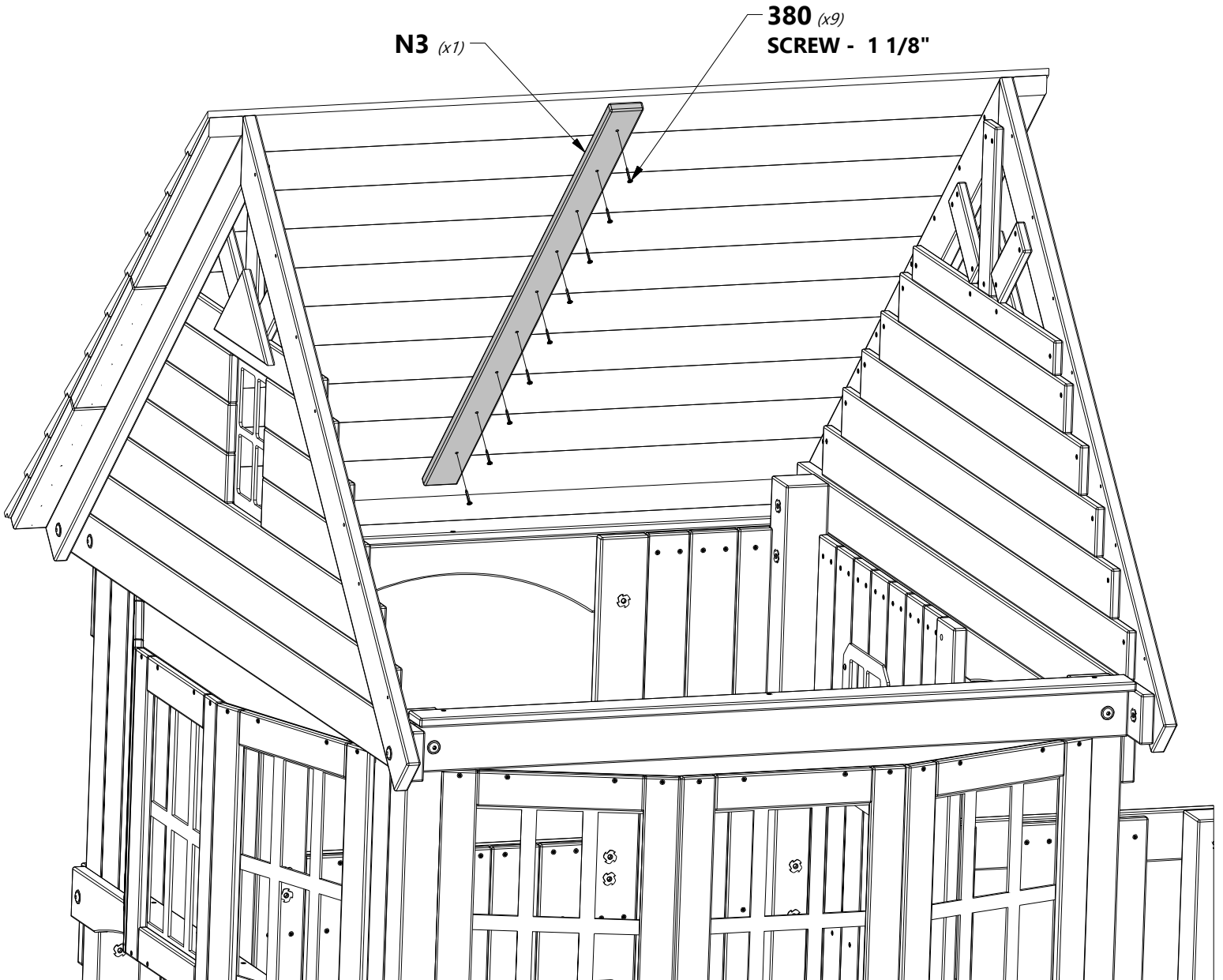
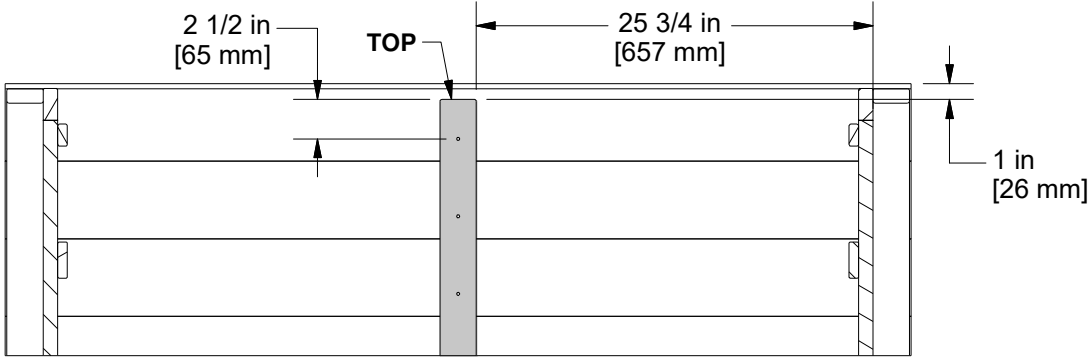
**NOTE:**  
START WITH TOP PANEL  
FIRST AND FLUSH EDGES.

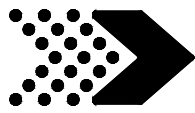
**483** (x14)  
SCREW - 8x2 1/4"





**H100380** SCREW PFH BLK  
(x9) 8x1 1/8





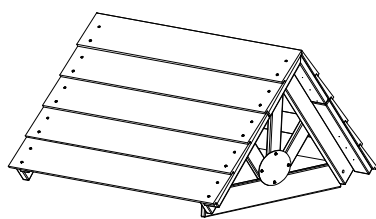
**REPEAT STEPS 49 & 50 TO ATTACH LEFT SIDE ROOF PANELS.**





# FORT ASSEMBLY

# STEP 52



(x1) | PORCH ROOF ASSEMBLY



H100195 | BOLT WH BLK  
(x1) | 5/16x2-3/4



H100194 | BOLT WH BLK  
(x2) | 5/16x2 1/2



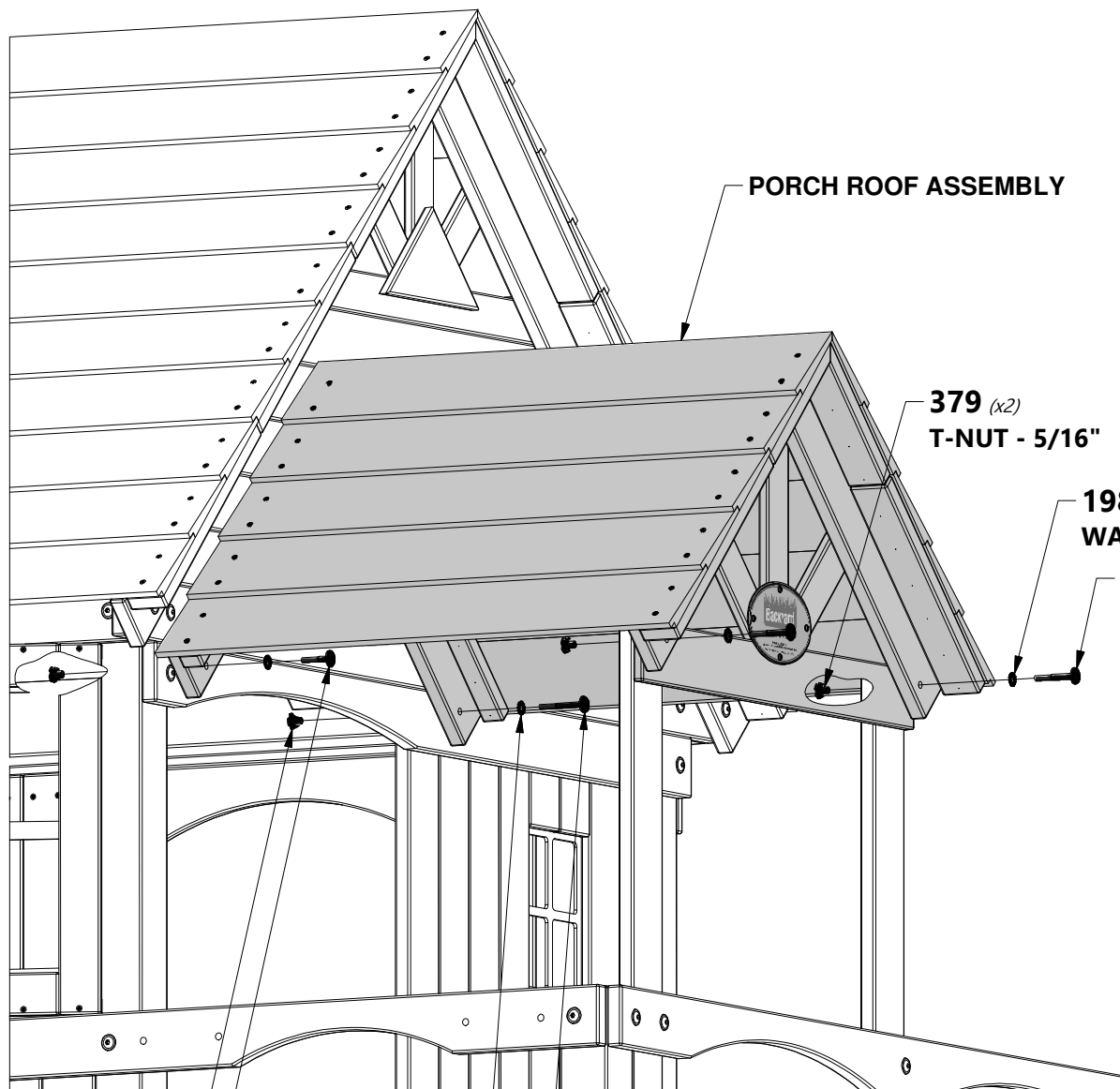
H100378 | BOLT WH BLK  
(x1) | 5/16x1 3/4



H100198 | WASHER LOCK  
(x4) | EXT BLK  
8x19



H100379 | T-NUT BLK  
(x4) | 5/16



PORCH ROOF ASSEMBLY

379 (x2)  
T-NUT - 5/16"

198 (x2)  
WASHER - 8x19

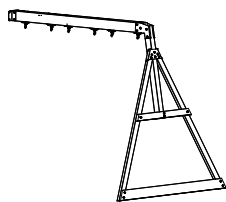
194 (x2)  
BOLT - 2 1/2"

379 (x2)  
T-NUT - 5/16"

198 (x2)  
WASHER - 8x19

195 (x1)  
BOLT - 2-3/4

378 (x1)  
BOLT - 1 3/4"



(x1) SWING BEAM ASSEMBLY



H100657 | BOLT HEX BLK  
(x4) 5/16x1 3/4



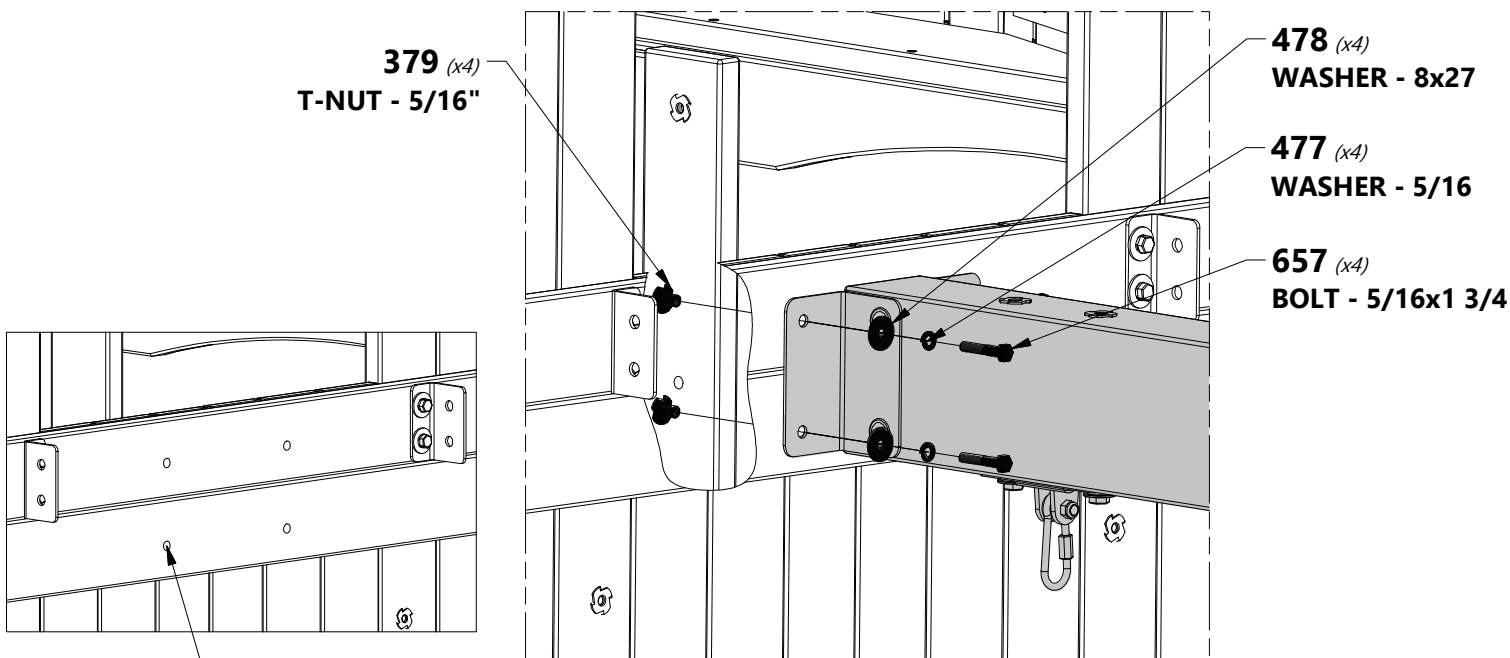
H100477 | WASHER SPLIT  
(x4) BLK  
5/16



H100478 | WASHER FLAT  
(x4) BLK  
8x27

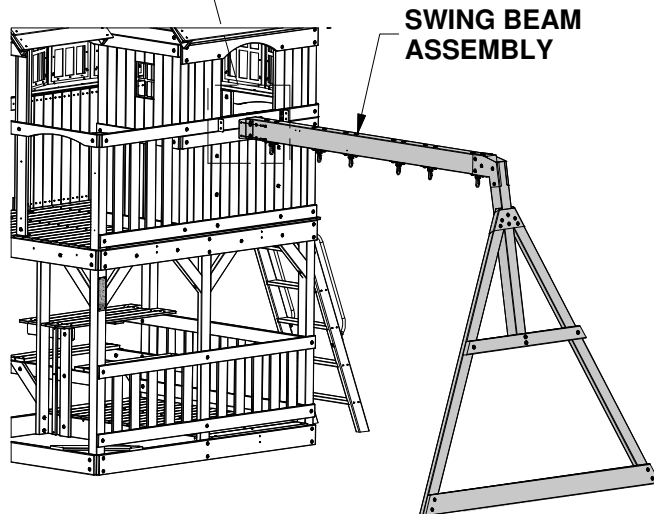
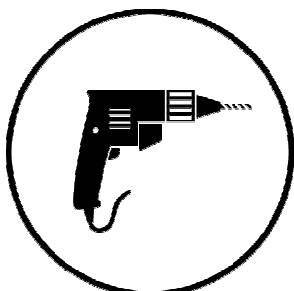


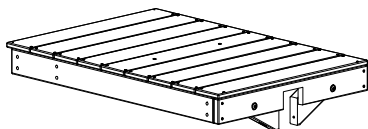
H100379 | T-NUT BLK  
(x4) 5/16



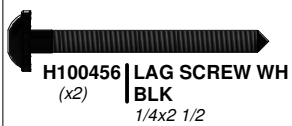
**1ST**  
USING BOARDS AS A GUIDE,  
DRILL 3/8" (10mm) HOLES THRU  
INSIDE PICKETS (4X).

**2ND**  
INSTALL SWING BEAM ASSEMBLY.





(x1) CROWS NEST DECK ASSEMBLY



H100456 | LAG SCREW WH  
(x2) | BLK  
1/4x2 1/2



H100192 | NUT BARREL WH  
(x4) | BLK  
5/16x7/8



H100481 | BOLT HEX BLK  
(x4) | 5/16x1 1/4



H100086 | SCREW PFH  
(x2) | 8x1 1/2



H100478 | WASHER FLAT  
(x4) | BLK  
8x27



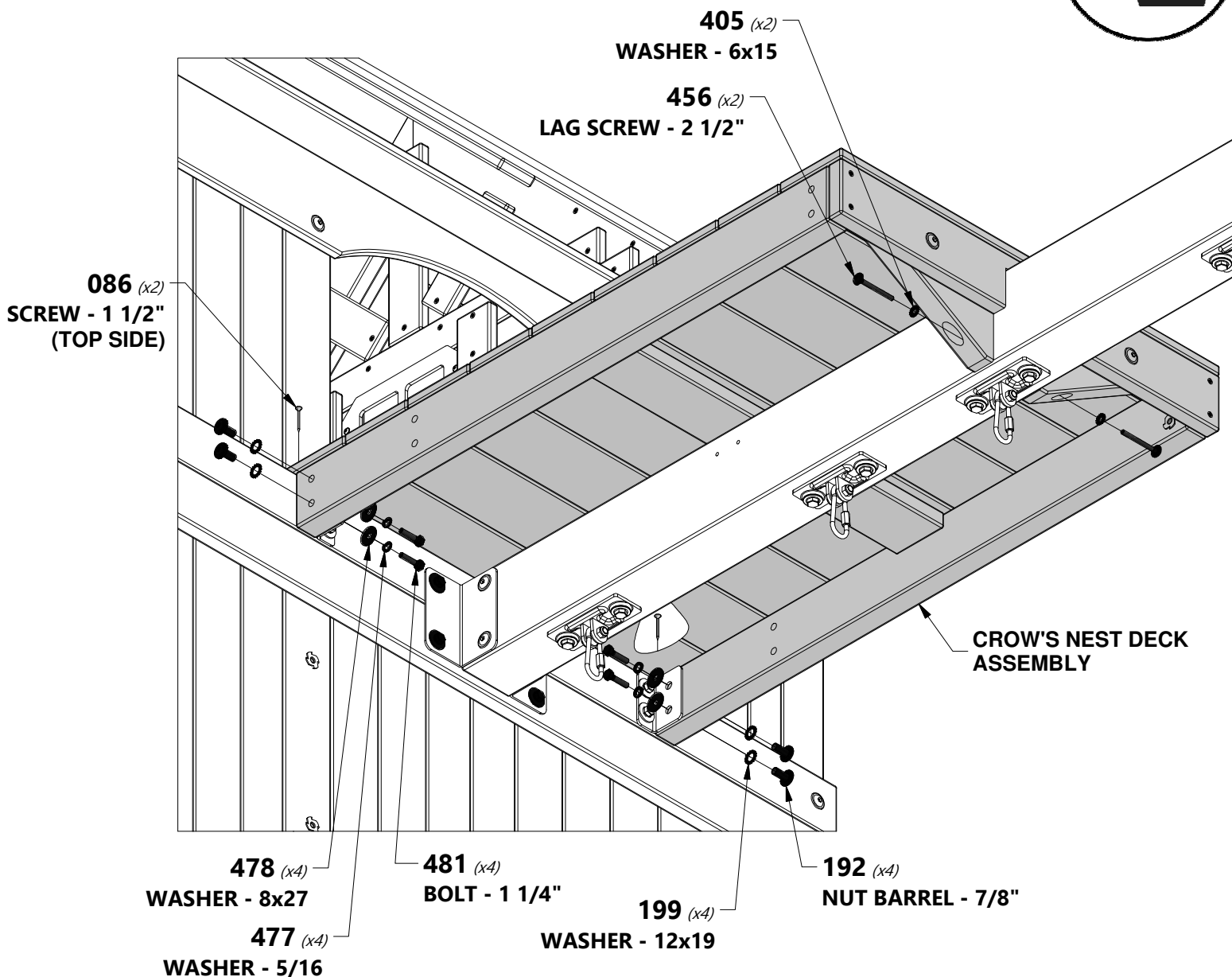
H100477 | WASHER SPLIT  
(x4) | BLK  
5/16



H100405 | WASHER LOCK  
(x2) | EXT BLK  
6x15



H100199 | WASHER LOCK  
(x4) | EXT BLK  
12x19





**A100396** | L BRACKET  
(x2) | 51x32x82x3.175



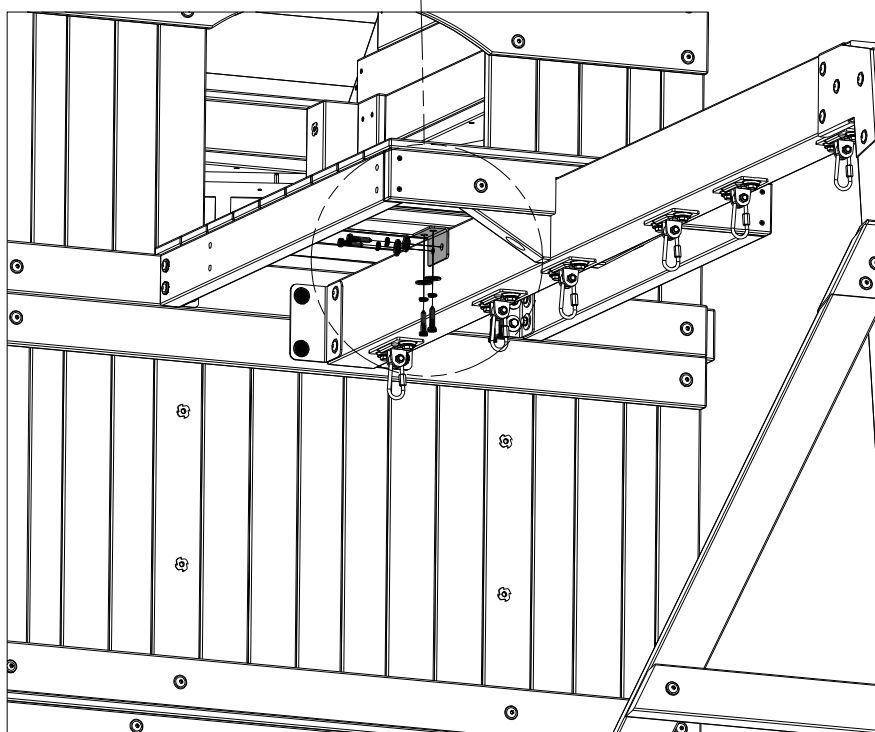
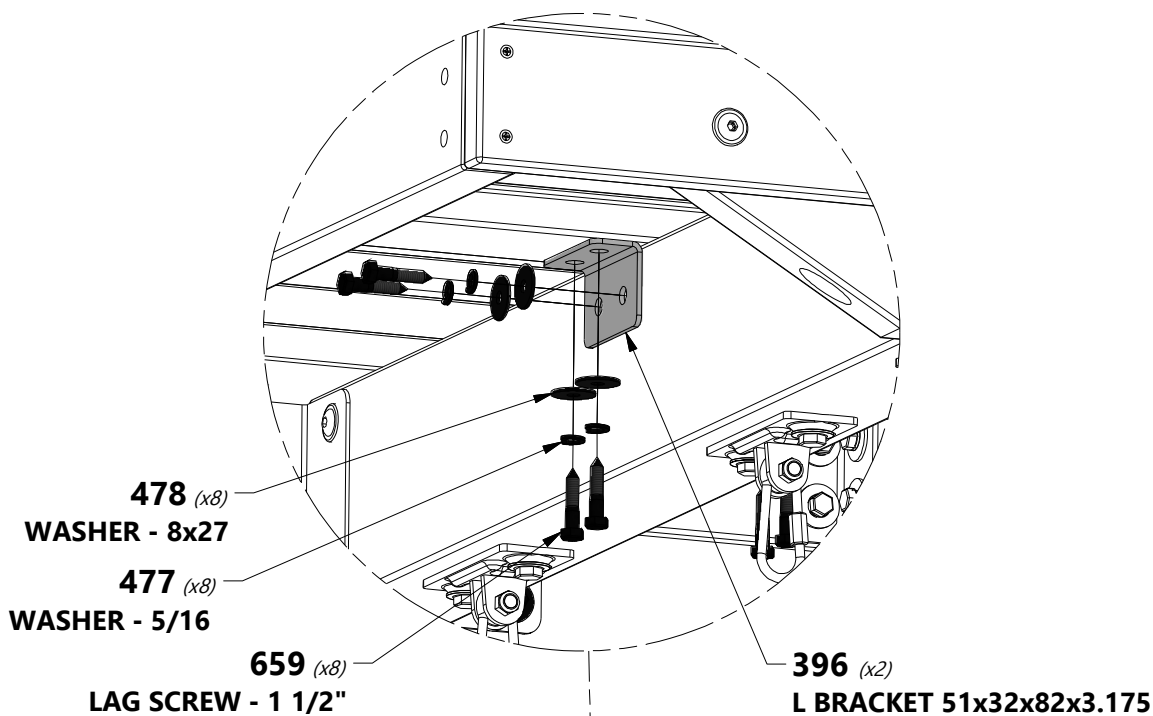
**H100659** | LAG SCREW BLK  
(x8) | 5/16x1 1/2



**H100477** | WASHER SPLIT  
(x8) | BLK  
5/16



**H100478** | WASHER FLAT  
(x8) | BLK  
8x27





**F2 | CROWS NEST WALL SUPPORT - W4L14738**  
(x2) | 1 3/8"x2 3/8"x37 1/2" (36x60x952)



**F3 | CROWS NEST WALL SUPPORT - W4L14739**  
(x2) | 1 3/8"x2 3/8"x37 1/2" (36x60x952)



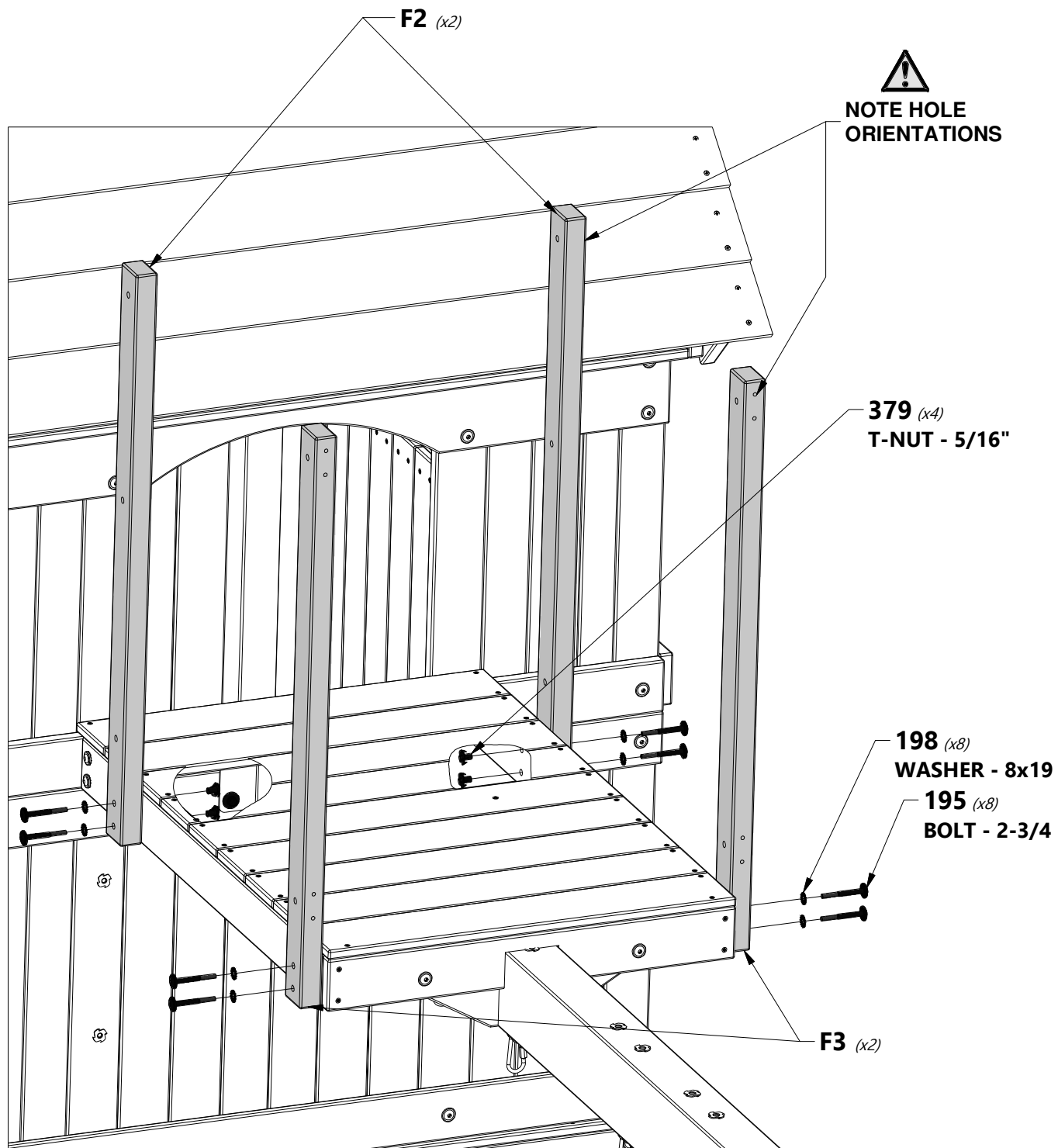
**H100195 | BOLT WH BLK**  
(x8) | 5/16x2-3/4

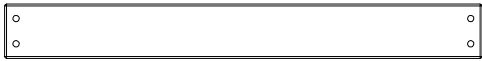
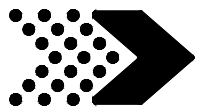


**H100198 | WASHER LOCK  
EXT BLK**  
(x8) | 8x19



**H100379 | T-NUT BLK**  
(x4) | 5/16





**H30** | CROWS NEST WALL RAIL - W4L14776  
(x1) | 1"x3 3/8"x29 7/8" (24x86x758)



**H31** | CROWS NEST WALL RAIL - W4L14777  
(x2) | 1"x3 3/8"x38 7/8" (24x86x988)



**H100197** | LAG SCREW WH BLK  
(x4) | 5/16x2 1/2



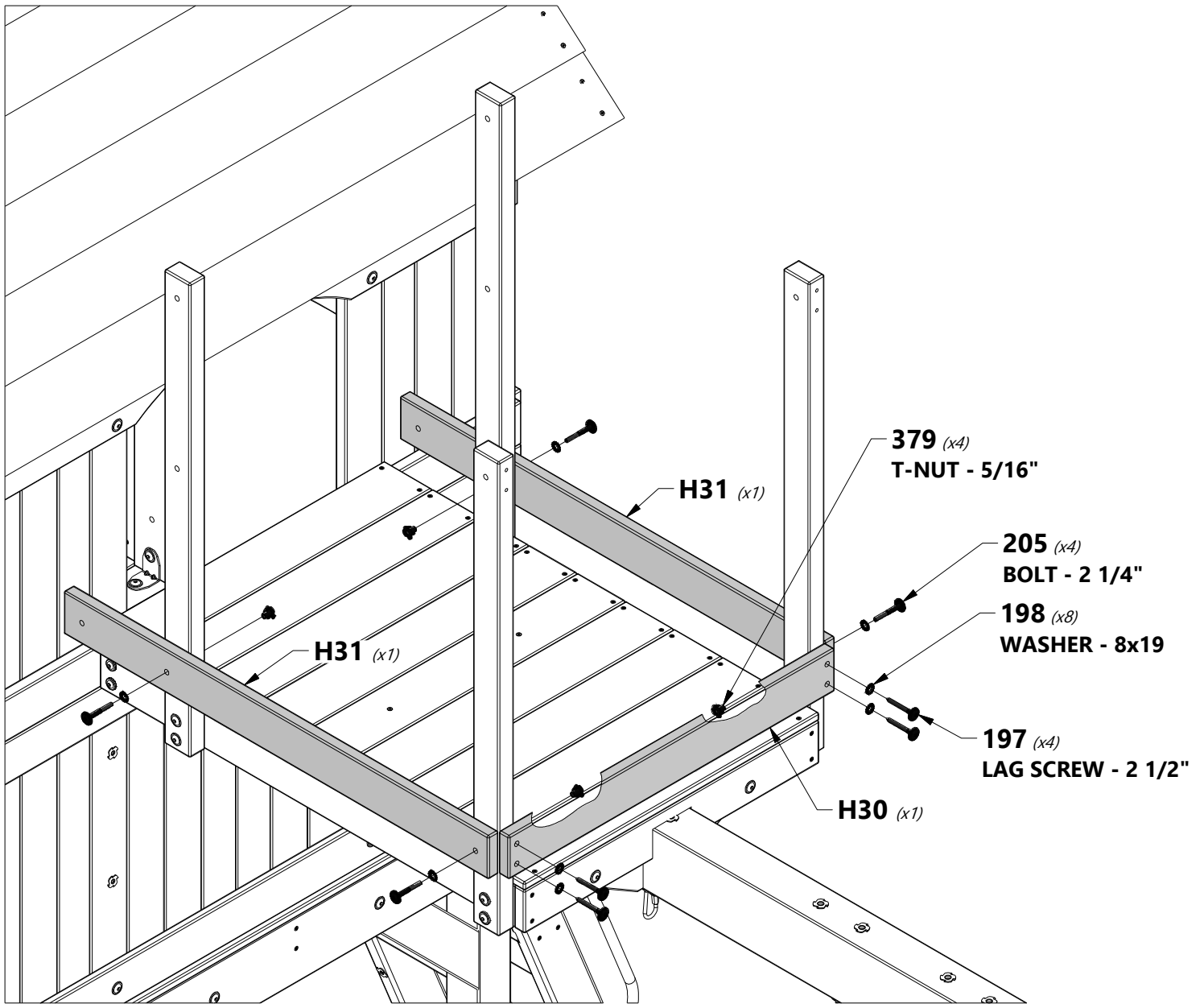
**H100205** | BOLT WH BLK  
(x4) | 5/16x2-1/4

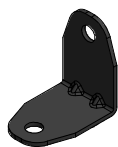


**H100198** | WASHER LOCK  
(x8) | EXT BLK  
8x19



**H100379** | T-NUT BLK  
(x4) | 5/16





**A4M01046 | L BRACKET**  
(x2) | 2.5x38x55x55



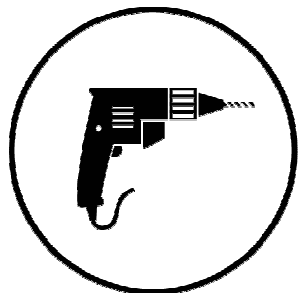
**H100468 | BOLT WH BLK**  
(x2) | 5/16x1



**H100396 | BOLT WH BLK**  
(x2) | 5/16x1/2



**H100379 | T-NUT BLK**  
(x4) | 5/16

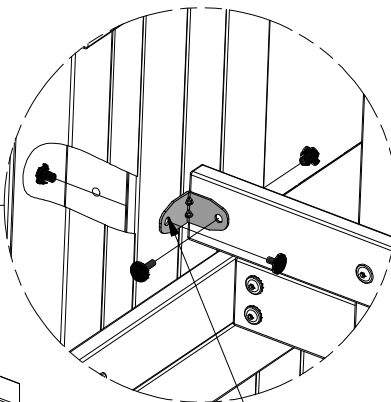
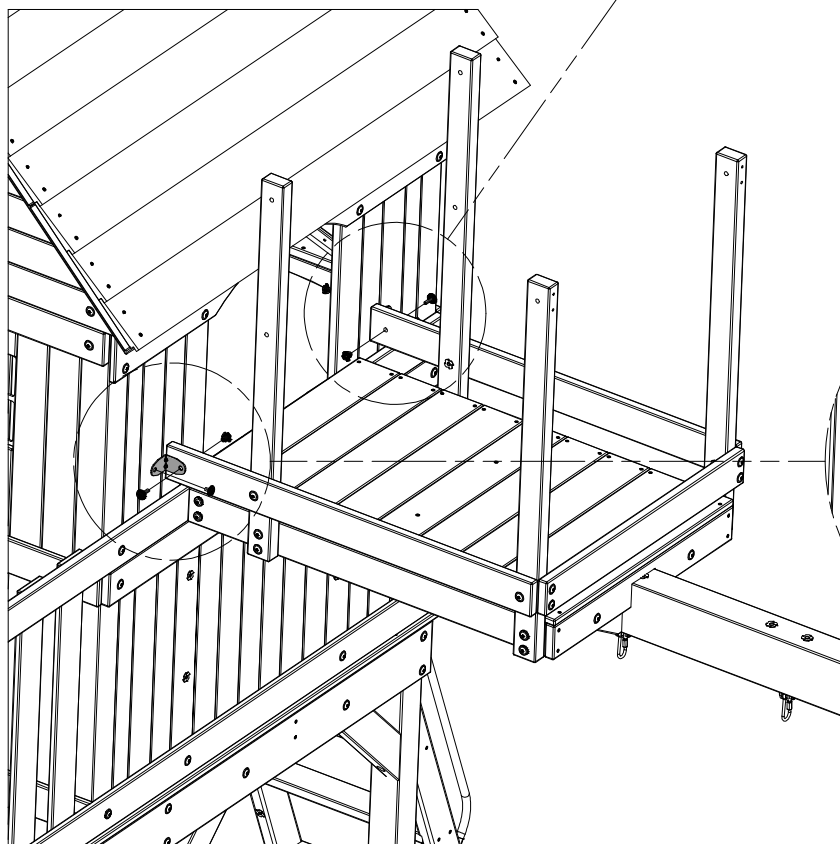


**046 (x2)**  
L BRACKET 2.5x38x55x55

**379 (x4)**  
T-NUT - 5/16"

**468 (x2)**  
BOLT - 1"

**396 (x2)**  
BOLT - 1/2"



**USING BRACKETS AS A GUIDE,  
DRILL 3/8" [10 mm] HOLES  
THROUGH WALL BOARD.**



**H29** | CROWS NEST WALL RAIL - W4L14775  
(x2) | 1"x3 3/8"x30 5/8" (24x86x778)



**H30** | CROWS NEST WALL RAIL - W4L14776  
(x1) | 1"x3 3/8"x29 7/8" (24x86x758)



**M4** | CROWS NEST WALL RAIL - W4L14792  
(x2) | 5/8"x3 3/8"x29 7/8" (16x86x758)



**H100205** | BOLT WH BLK  
(x4) | 5/16x2-1/4



**H100197** | LAG SCREW WH BLK  
(x4) | 5/16x2 1/2



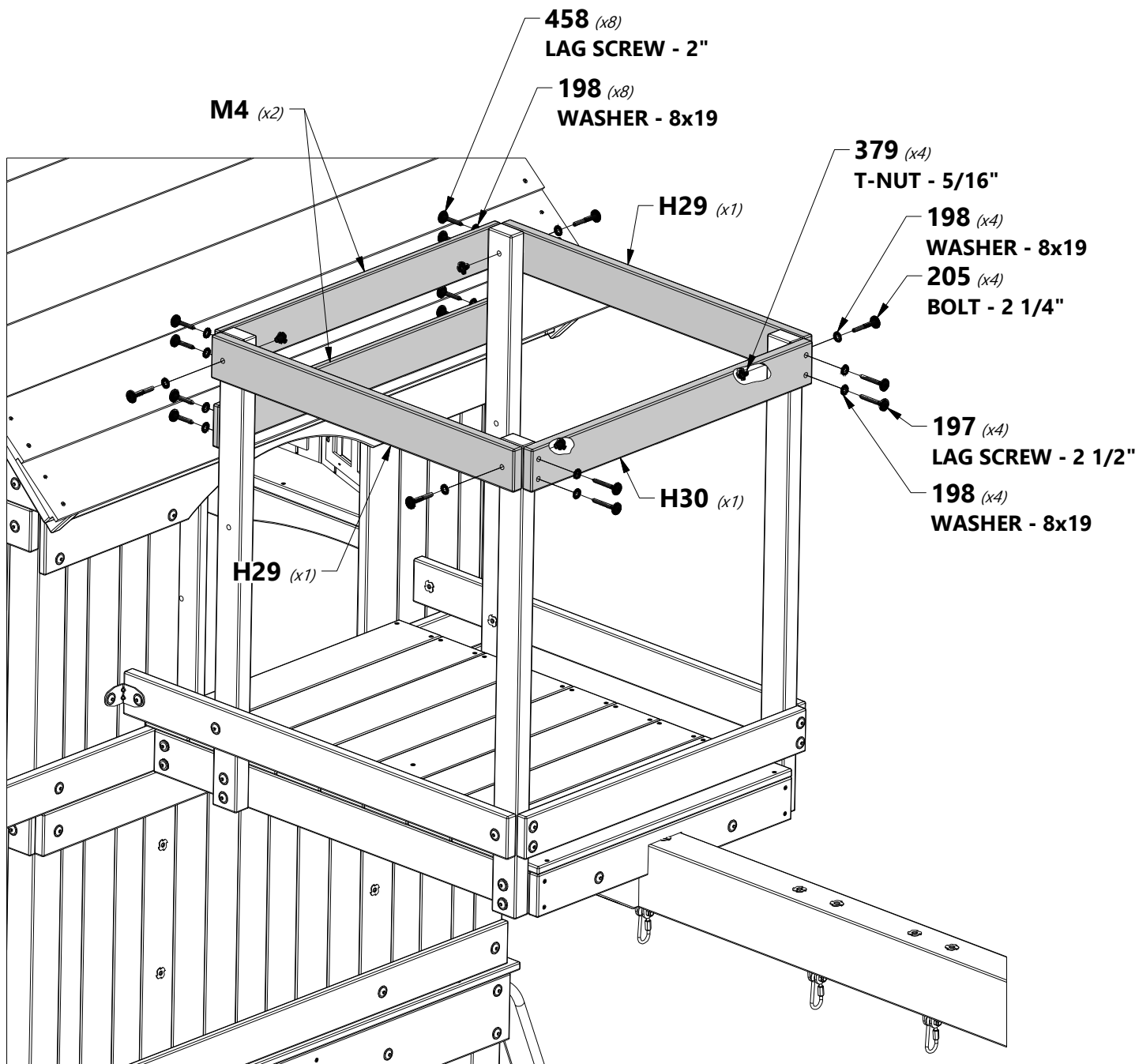
**H100458** | LAG SCREW WH BLK  
(x8) | 5/16x2

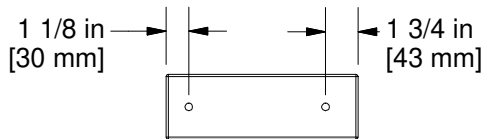


**H100198** | WASHER LOCK  
(x16) | EXT BLK  
8x19



**H100379** | T-NUT BLK  
(x4) | 5/16





**M32** | CROWS NEST WALL RAIL - W4L14817  
(x2) | 5/8"x3 3/8"x10" (16x86x254)



**A4M01046** | L BRACKET  
(x2) | 2.5x38x55x55



**H100457** | BOLT WH BLK  
(x2) | 5/16x2



**H100459** | BOLT WH BLK  
(x2) | 5/16x1 1/4



**H100396** | BOLT WH BLK  
(x2) | 5/16x1/2

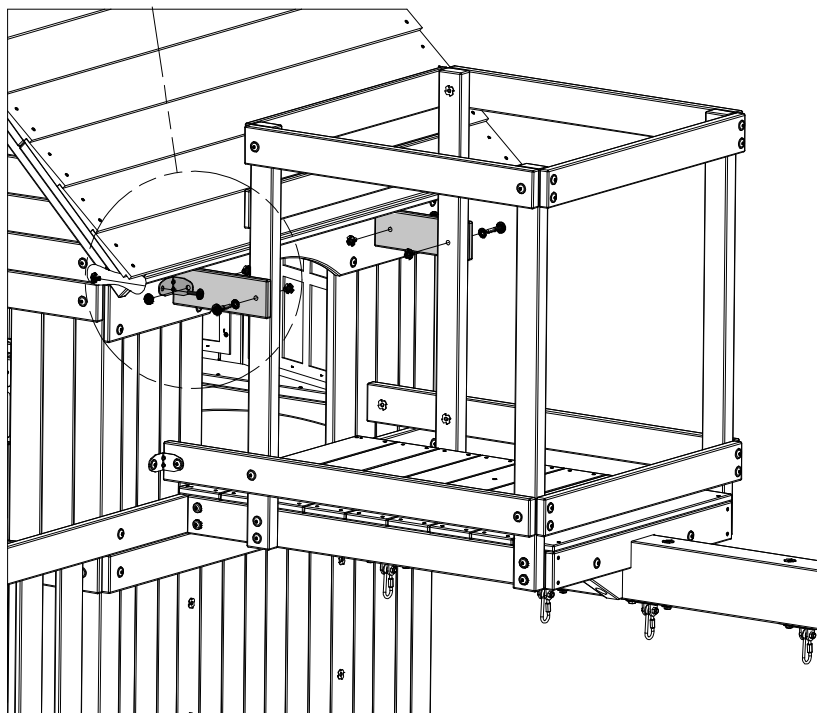
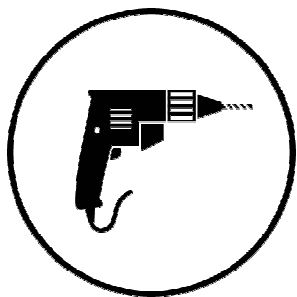
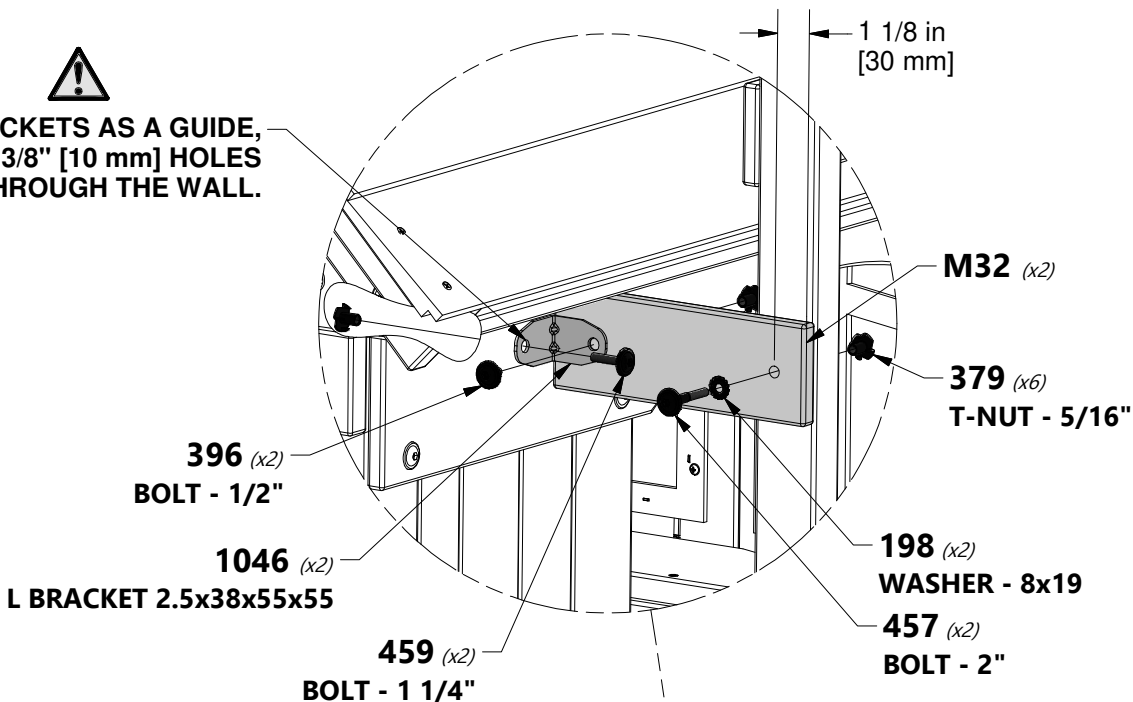


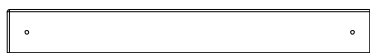
**H100198** | WASHER LOCK  
(x2) | EXT BLK  
8x19



**H100379** | T-NUT BLK  
(x6) | 5/16

 **USING BRACKETS AS A GUIDE, DRILL 3/8" [10 mm] HOLES THROUGH THE WALL.**

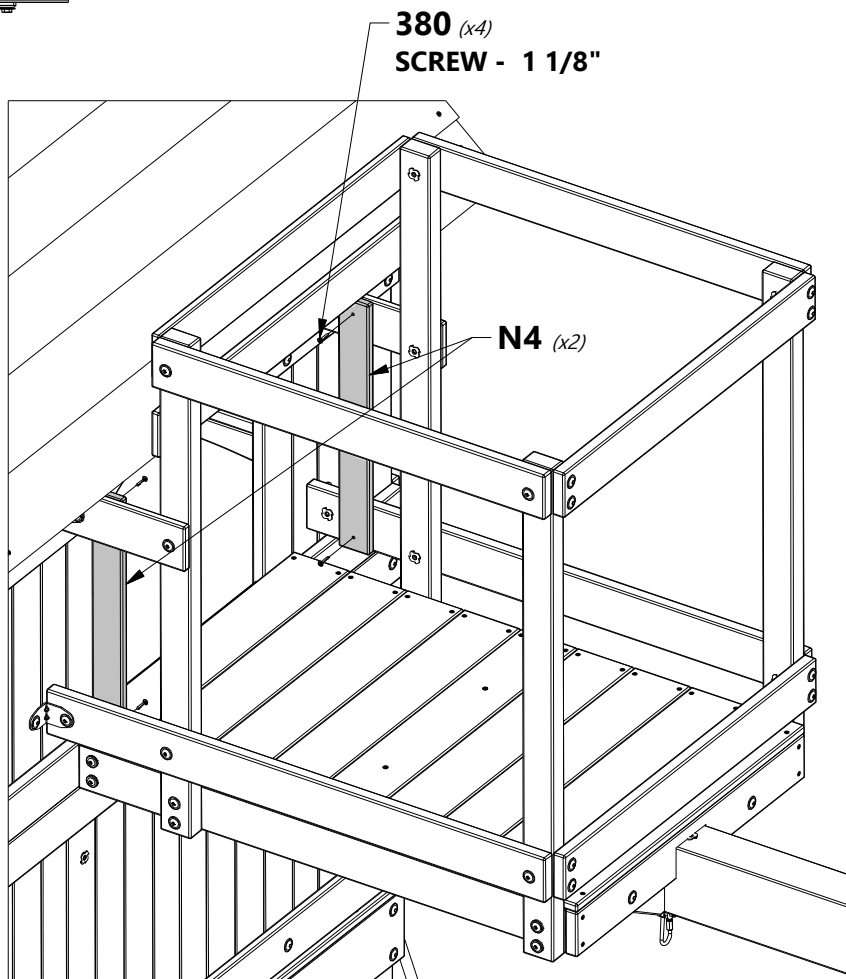
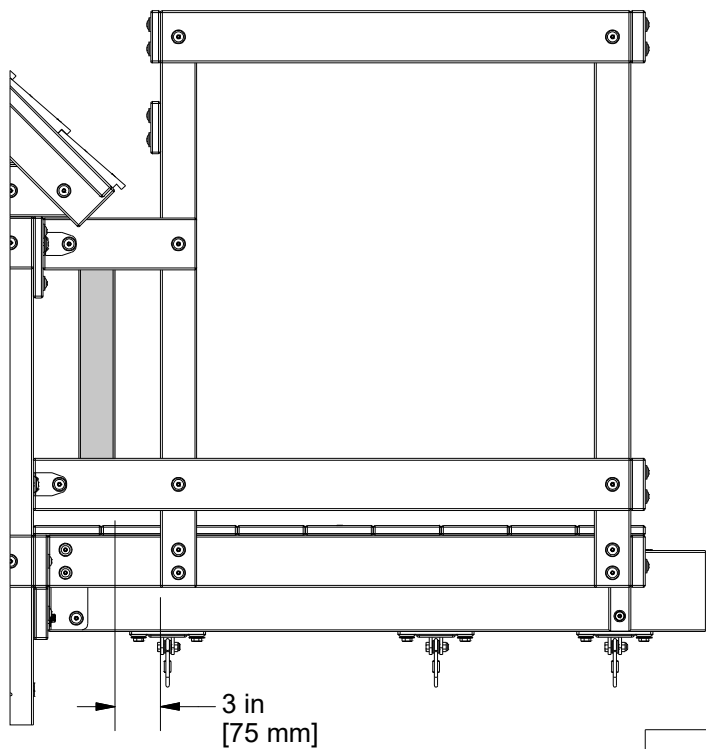


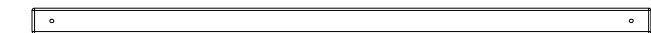


**N4** | CROWS NEST WALL BOARD - W4L14828  
(x2) | 5/8"x2 3/8"x19" (16x60x483)



**H100380** | SCREW PFH BLK  
(x4) | 8x1 1/8"

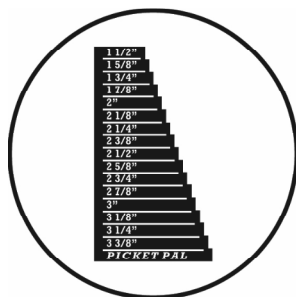




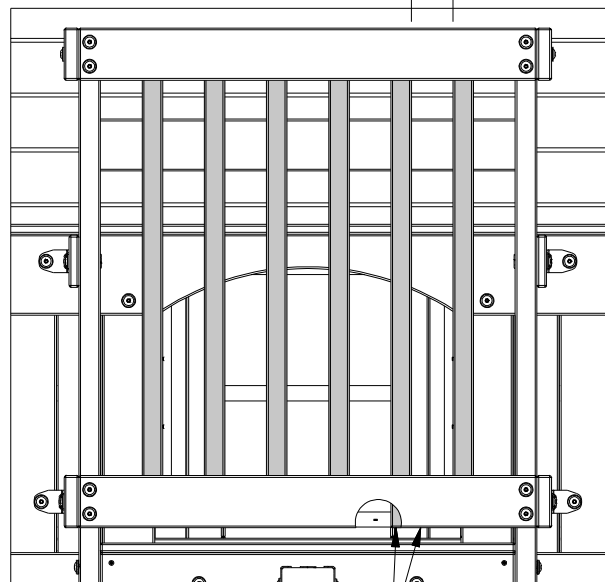
**001** | CROWS NEST WALL BOARD - W4L15641  
(x6) | 5/8"x1 3/8"x32 1/4" (16x34x819)



**H100088** | SCREW PFH  
(x12) | 8x1 1/8



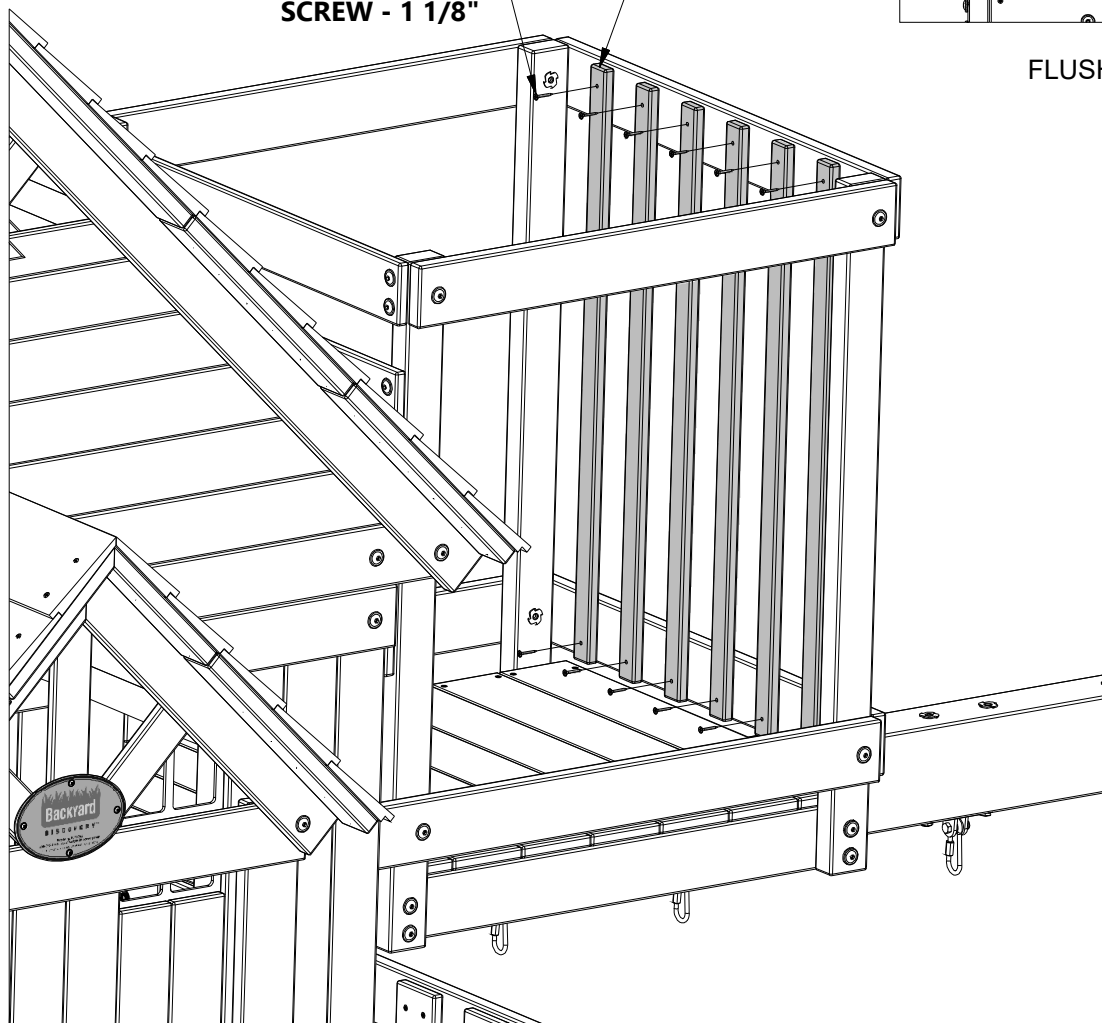
2 3/4 in  
[69 mm]  
EQUAL SPACING



FLUSH BOTTOMS

**088** (x12)  
SCREW - 1 1/8"

**001** (x6)

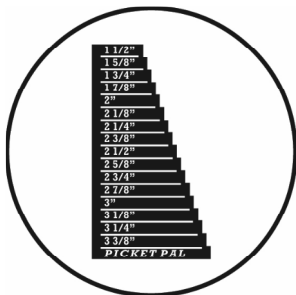




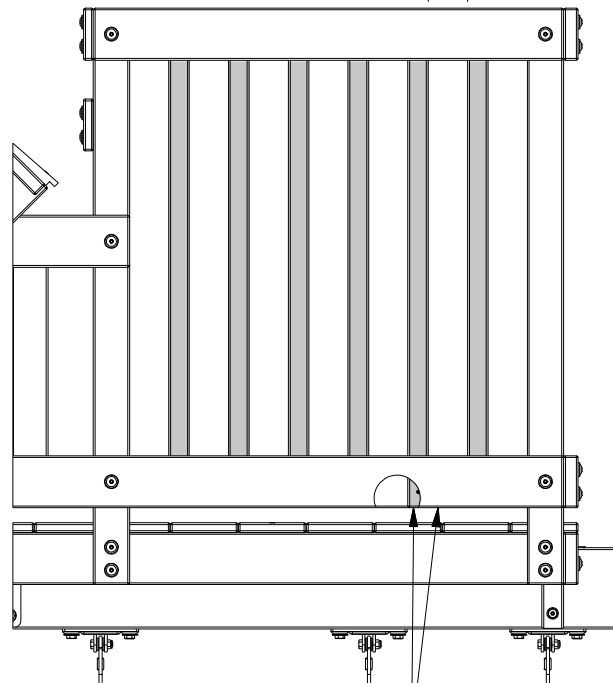
**O01** | CROWS NEST WALL BOARD - W4L15641  
(x12) | 5/8"x1 3/8"x32 1/4" (16x34x819)



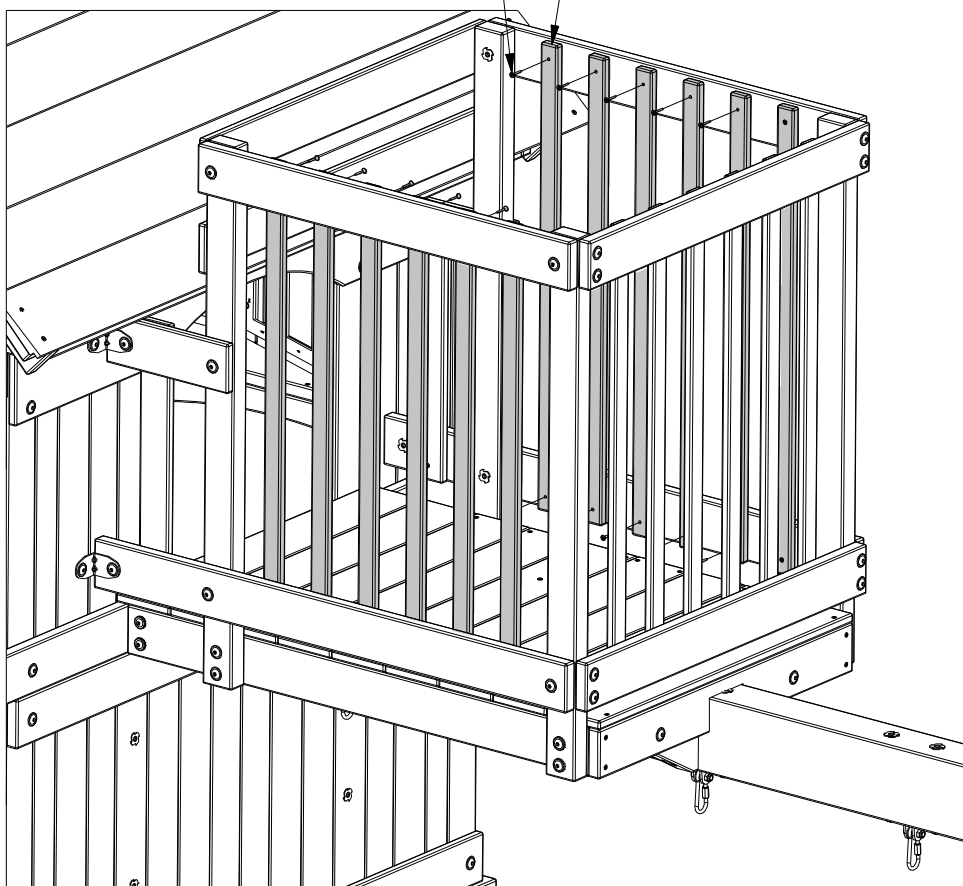
**H100088** | SCREW PFH  
(x24) | 8x1 1/8

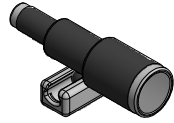
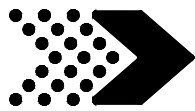


2 1/2 in  
[65 mm]  
EQUAL SPACING



FLUSH BOTTOMS

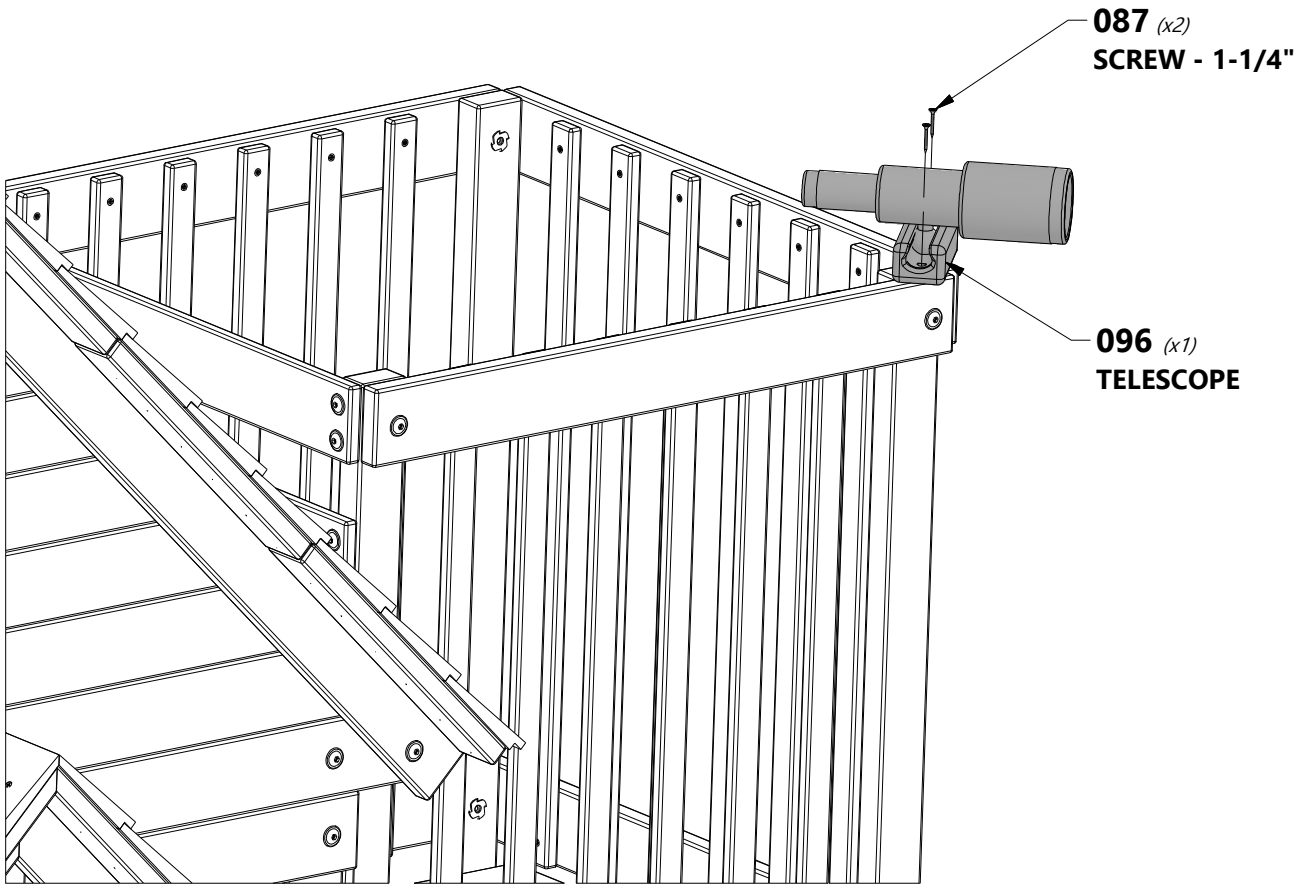


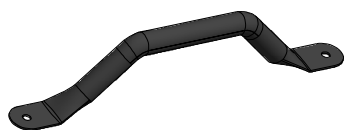


**A6P00096** | TELESCOPE  
(x1)



**H100087** | SCREW PFH  
(x2) | 8x1 1/4"





**A100118** | **HAND GRIP METAL GREEN 381 c/c**  
(x4)



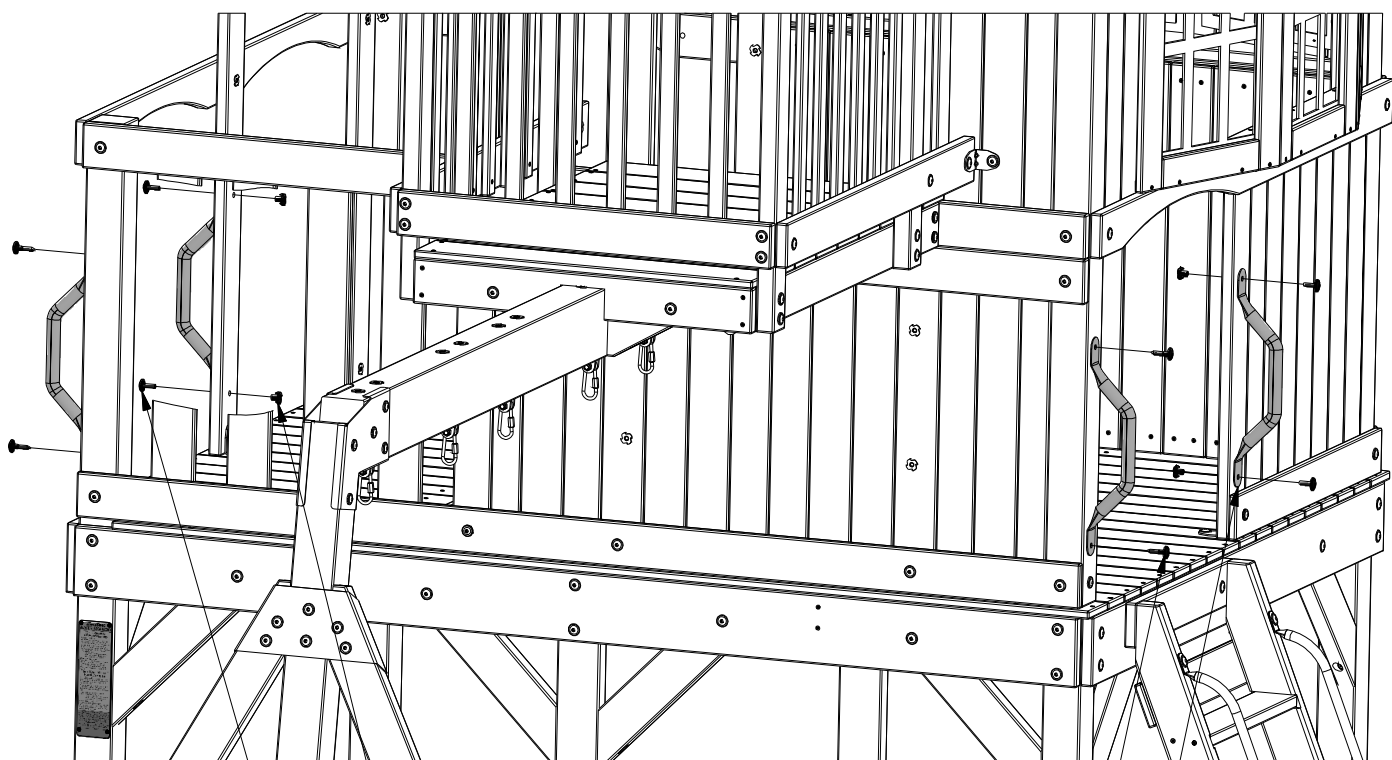
**H100471** | **LAG SCREW WH BLK**  
(x4) | 5/16x1 1/2



**H100468** | **BOLT WH BLK**  
(x4) | 5/16x1



**H100379** | **T-NUT BLK**  
(x4) | 5/16

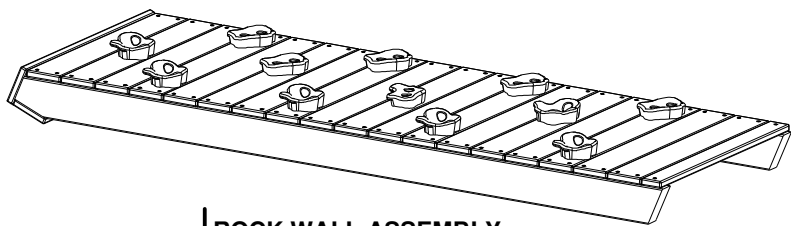


**468** (x4)  
**BOLT - 1"**

**379** (x4)  
**T-NUT - 5/16"**

**471** (x4)  
**LAG SCREW - 1 1/2"**

**118** (x4)  
**HAND GRIP METAL GREEN 381 c/c**



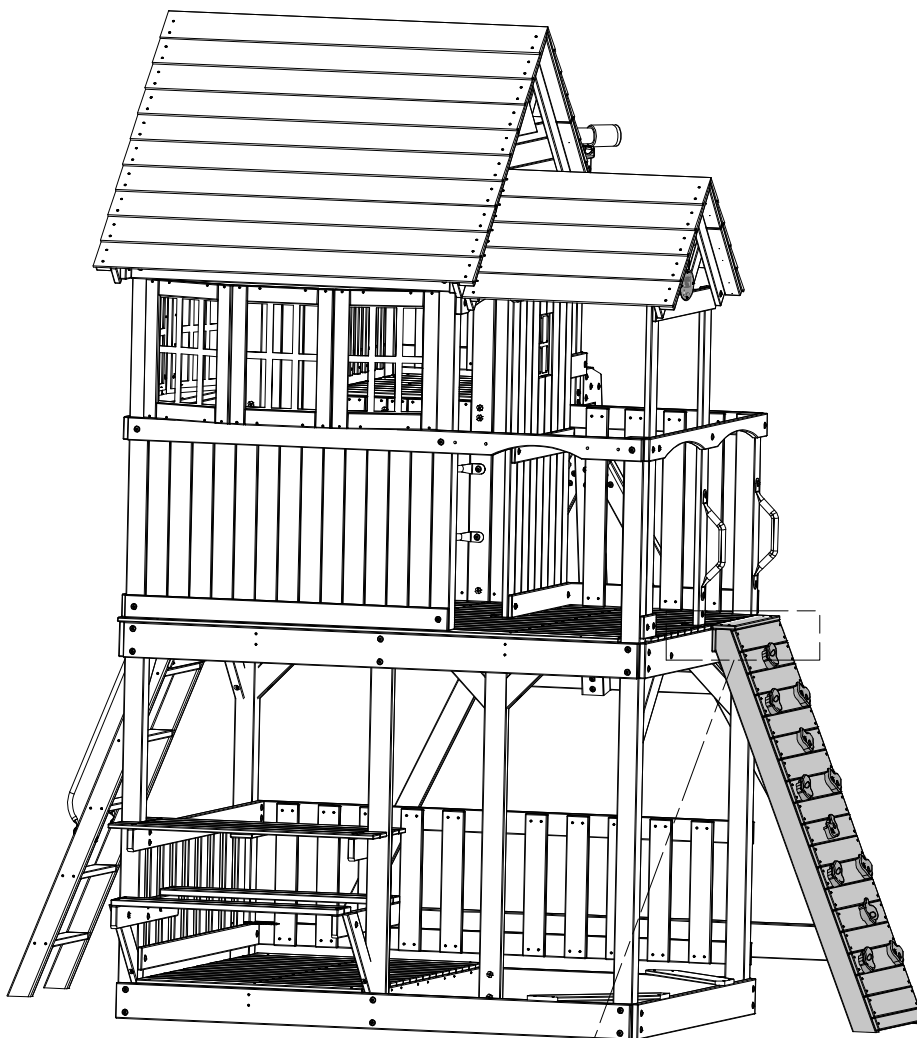
(x1) | **ROCK WALL ASSEMBLY**



**H100407** | **BOLT WH BLK**  
(x2) | 5/16x1 1/2



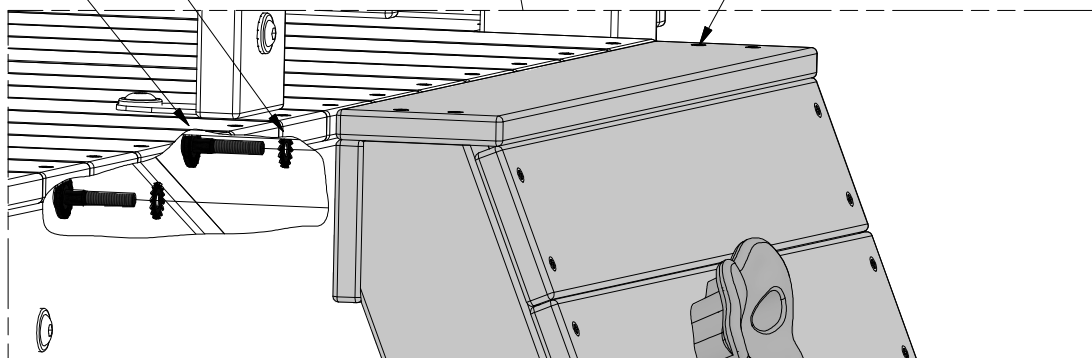
**H100198** | **WASHER LOCK**  
(x2) | **EXT BLK**  
8x19

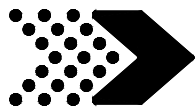


**198** (x2)  
**WASHER - 8x19**

**407** (x2)  
**BOLT - 1 1/2"**

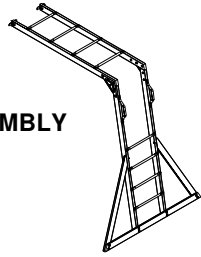
**ROCK WALL ASSEMBLY**





(x1)

**MONKEY BAR ASSEMBLY**



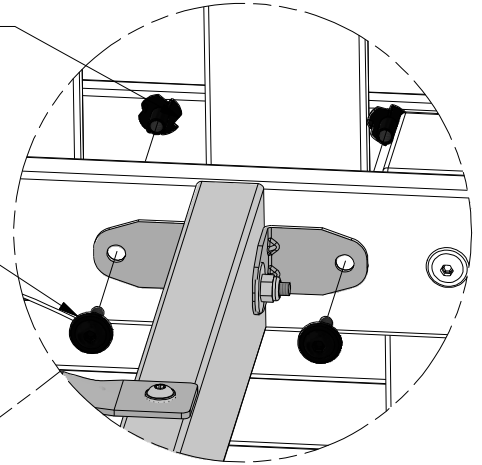
**H100468 | BOLT WH BLK**  
(x4) | 5/16x1



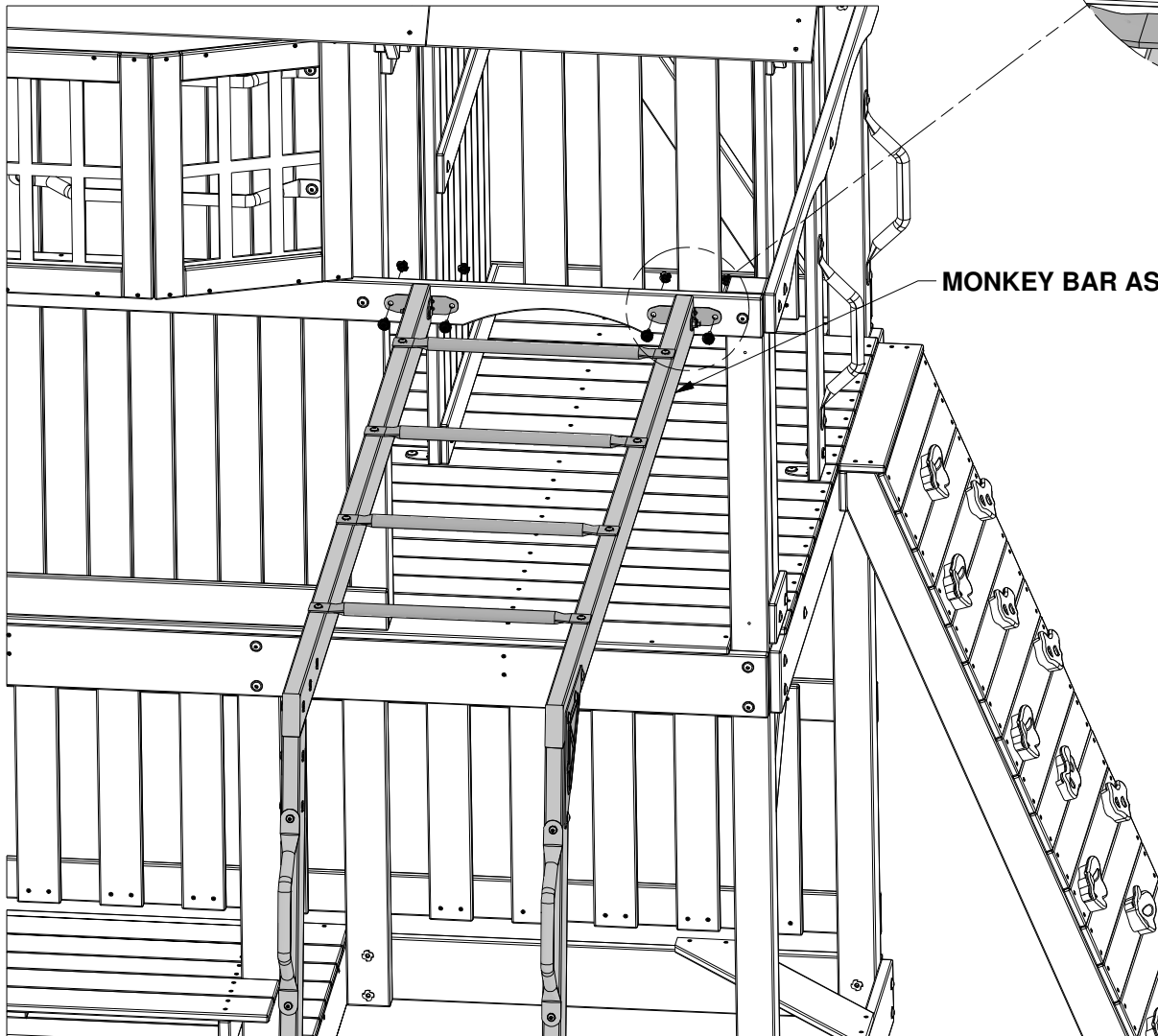
**H100379 | T-NUT BLK**  
(x4) | 5/16

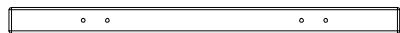
**379 (x4)**  
**T-NUT - 5/16"**

**468 (x4)**  
**BOLT - 1"**



**MONKEY BAR ASSEMBLY**





**O70** | SLIDE MOUNTING BOARD - W4L14837  
(x1) | 5/8"x1 3/8"x20 3/8" (16x34x517)



(x1) 10 FT VF SLIDE



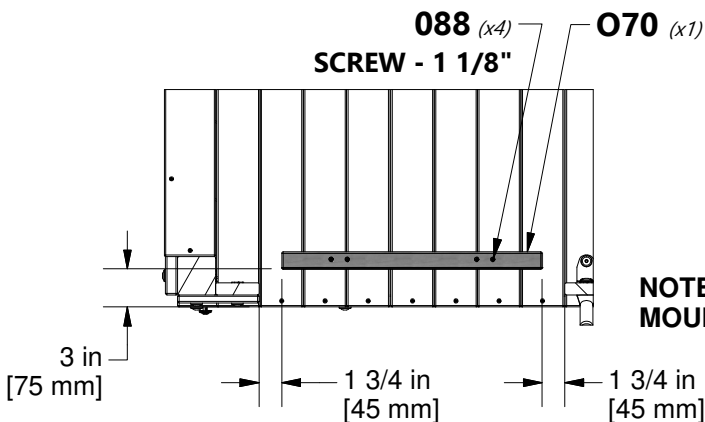
**H100088** | SCREW PFH  
(x4) | 8x1 1/8



**H100459** | BOLT WH BLK  
(x3) | 5/16x1 1/4

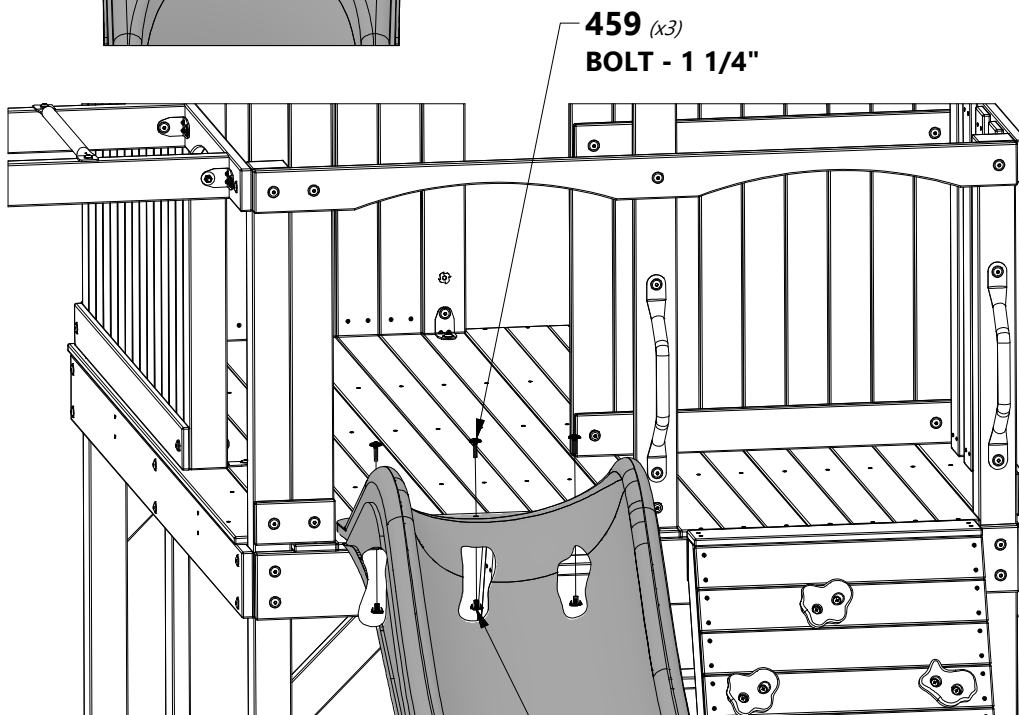
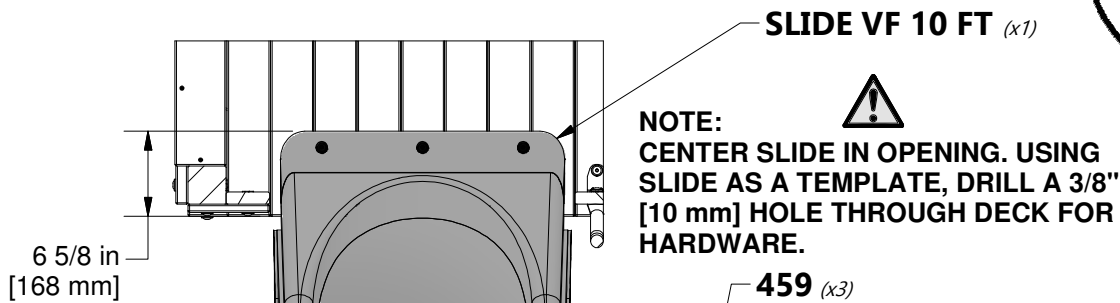
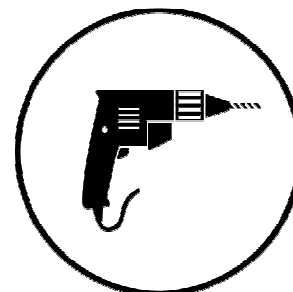


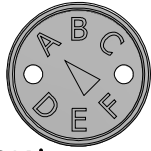
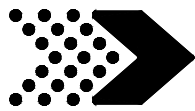
**H100379** | T-NUT BLK  
(x3) | 5/16



**NOTE:** MOUNT 'O70' BOARD 1ST.

10 FT VACUUM FORMED SLIDES		
PART NUMBER	COLOR	MODEL NUMBER
A100287	GREEN	2106031B
A6P00539	GREY	2300071
A6P00540	YELLOW	2300330

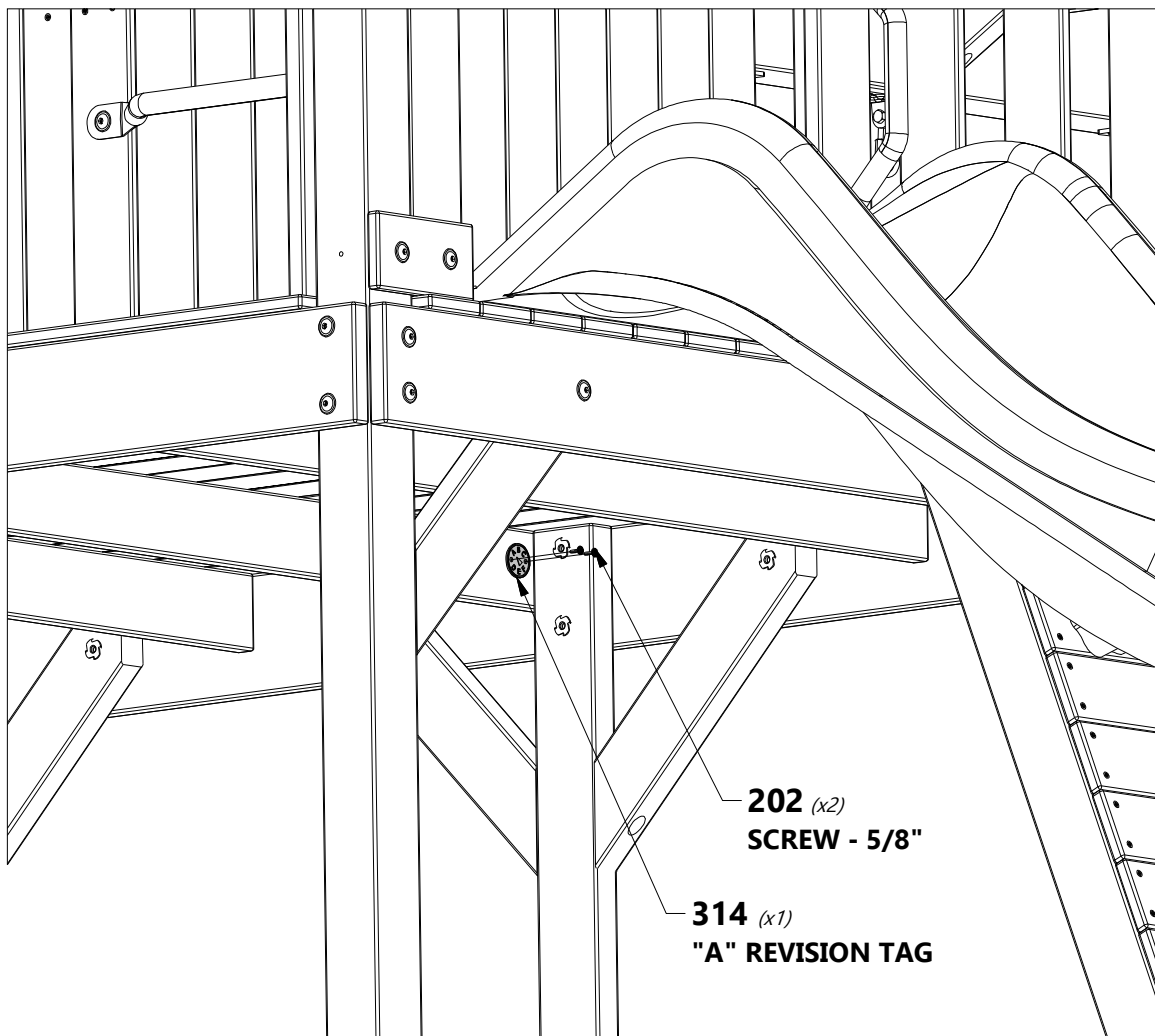




**A100314** | "A" REVISION TAG  
(x1)



**H100202** | SCREW PWH BLK  
(x2) | 8x5/8





**A100069** | QUICK LINK  
*(x6)*



**A100027** | SWING SEAT GREEN 26"  
*(x2)*



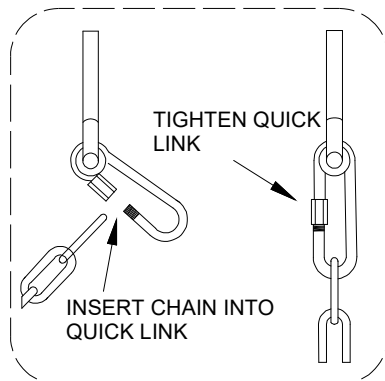
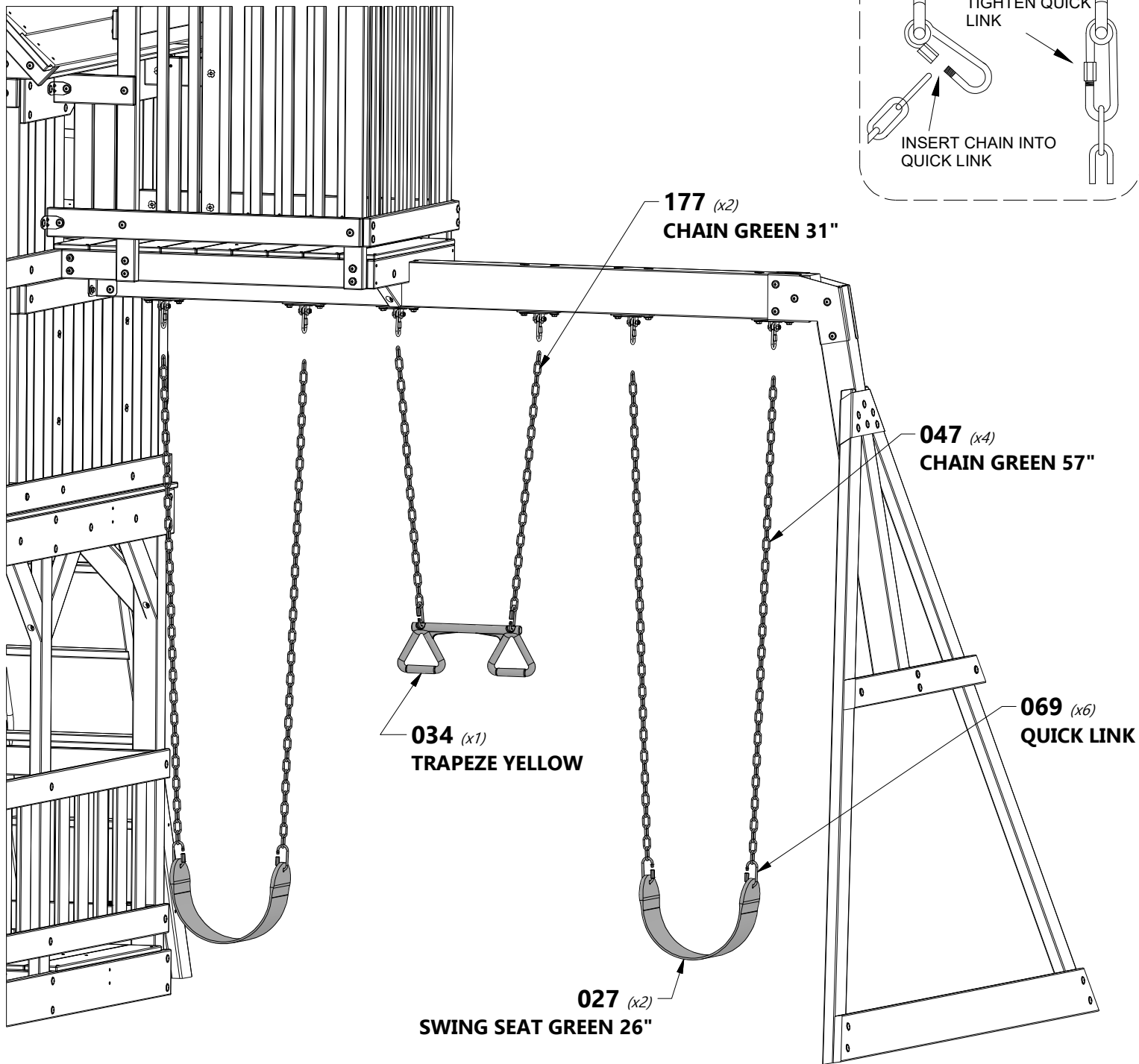
**A6P00034** | TRAPEZE YELLOW  
*(x1)*

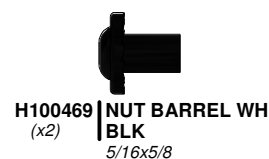
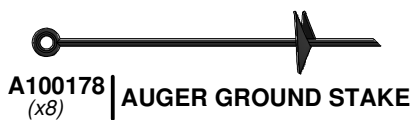


**A100047** | CHAIN GREEN 57"  
*(x4)*



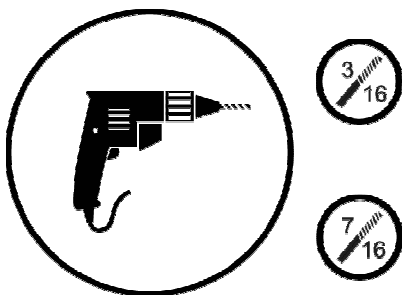
**A100177** | CHAIN GREEN 31"  
*(x2)*





**FINAL STEP**  
 DOUBLE CHECK EVERY BOLT, SCREW  
 AND NUT FOR TIGHTNESS. MAKE SURE  
 EVERY BOARD IS SECURE AND MAKE  
 SURE THE PLAY SET IS LEVEL.

**NOTE:**  
 FAILURE TO ATTACH GROUND STAKES  
 COULD CAUSE INJURY AND WILL VOID  
 WARRANTY!



**DETAIL 'A'**  
 TWIST STAKES INTO GROUND AGAINST  
 GROUND BOARDS AND CORNER POSTS IN  
 LOCATIONS SHOWN. USING STAKE AS A  
 TEMPLATE, DRILL A 3/16" [5 mm] HOLE FOR LAGS.

**DETAIL 'B'**  
 TWIST STAKES INTO GROUND AGAINST  
 GROUND BOARDS AND CORNER POSTS IN  
 LOCATIONS SHOWN. USING STAKE AS A  
 TEMPLATE, DRILL A 3/16" [5 mm] HOLE FOR LAGS.

**DETAIL 'C' & 'D'**  
 DRIVE STAKE INTO GROUND AT LOCATIONS  
 SHOWN. USING STAKE AS A TEMPLATE, DRILL A  
 7/16" [10 mm] HOLE FOR HARDWARE.

