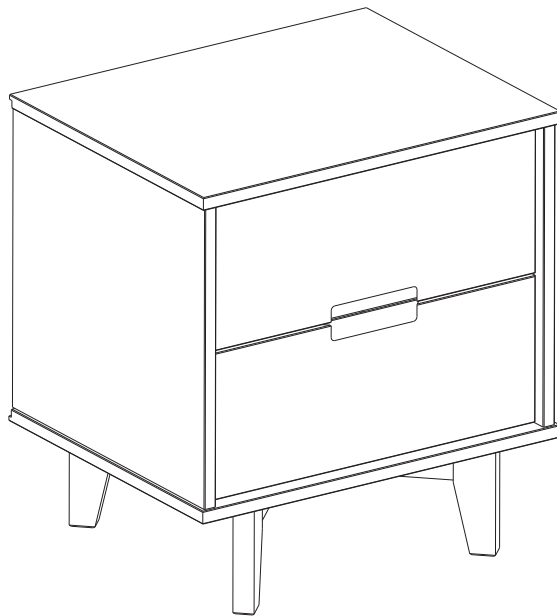


# Item # : BR2DSLNS

## Assembly Instructions

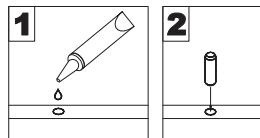


Please visit our website for the most current instructions, assembly tips, report damage, or request parts. [www.walkeredison.com](http://www.walkeredison.com)

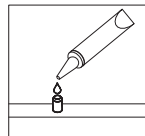
Revised 10/2018

# General Assembly Guidelines

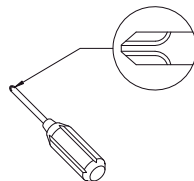
- I. Ensure that all parts and hardware are available before beginning assembly.
- II. Follow each step carefully to ensure the proper assembly of this product.
- III. Two people are recommended for ease in the assembly of this product.
- IV. The three main types of hardware used to assemble this product are wood dowels, screws and bolts.
- V. The provided glue is to secure wood dowels in place . When first inserting dowels , locate the appropriate hole for the dowel , place a small amount of glue in the hole and insert the dowel . Wipe away excess glue immediately.



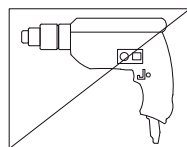
In future assembly steps when dowels are necessary to attach assembly parts together , place a small amount of glue on the end of the dowel before attaching parts together . Wipe away excess glue immediately.



- VI. A Phillips head screwdriver is required for the assembly of this product.



- VII. Power tools should not be used to assemble this product.

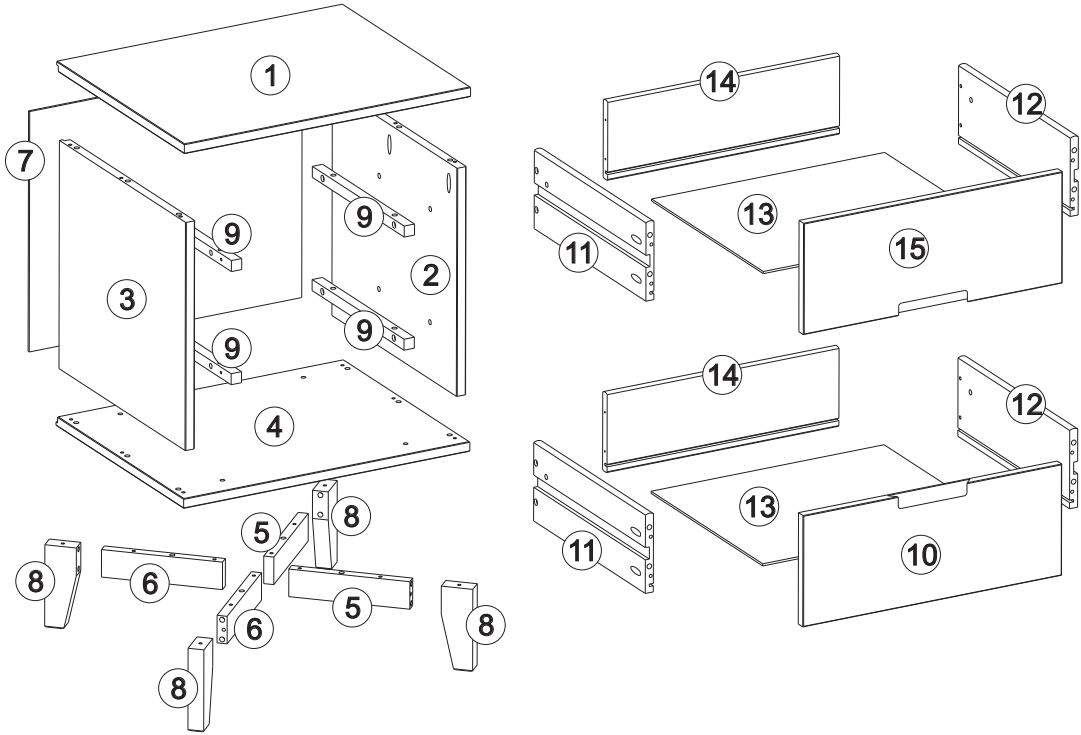


## VIII. Maintenance Guide

To maintain long term performance and easy gliding of your solid wood drawers, we recommend applying wax to the wooden guide rails.

1. Bee's wax is recommended or Paraffin wax from a standard candle can be used.
2. Apply the wax by rubbing it on the wooden guide rails where there is wood-on-wood contact when opening and closing the drawer. (Wax should be room temperature, do not melt the wax onto the wood)
3. Wax should be applied every few months for the first year and then only when needed after that to keep the drawers sliding smoothly.






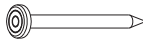


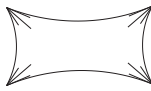
# Parts List

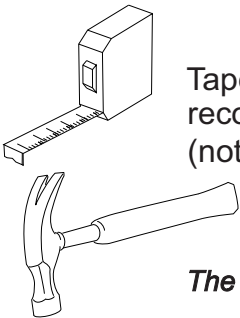


Part#	Description	Qty
1	Top panel	01
2	Right side panel	01
3	Left side panel	01
4	Bottom panel	01
5	Right crossbeam foot	02
6	Left crossbeam foot	02
7	Back panel	01
8	Foot	04

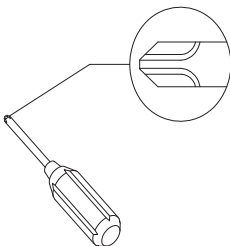
Part#	Description	Qty
9	Drawer runner	04
10	Lower drawer front	01
11	Left drawer side	02
12	Right drawer side	02
13	Drawer bottom	02
14	Drawer back	02
15	Upper drawer front	01

# Hardware List

A		Ø8*30mm	Wooden dowel	32 pcs
B		Ø8*20mm	Wooden dowel	16 pcs
C		Ø3,5*25mm	Screw	08 pcs
D		Ø3,5*30mm	Screw	26 pcs
E		Ø4,0*40mm	Screw	14 pcs
F		Ø10*10	Nail	14 pcs
G		Ø7*80mm	Bolt	04 pcs
H		4mm	Hex Key	01 pcs
I			Glue	01 pcs



Tape measure and hammer recommended for assembly (not included)



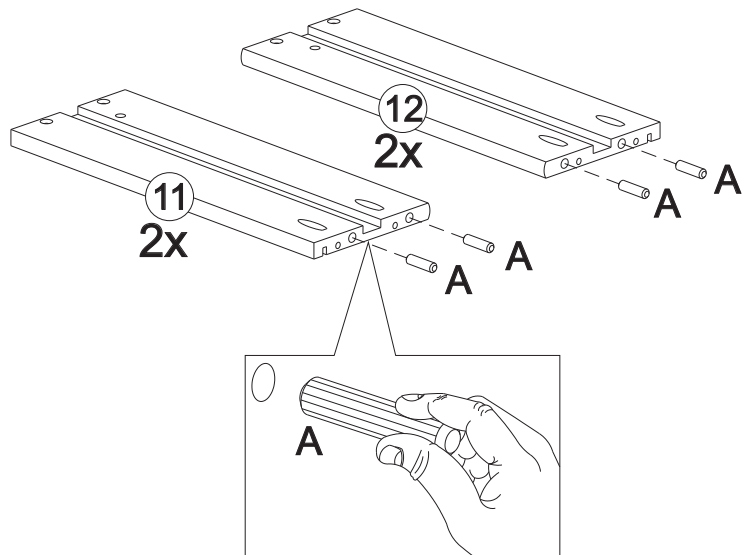
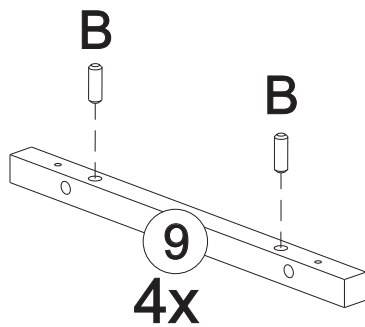
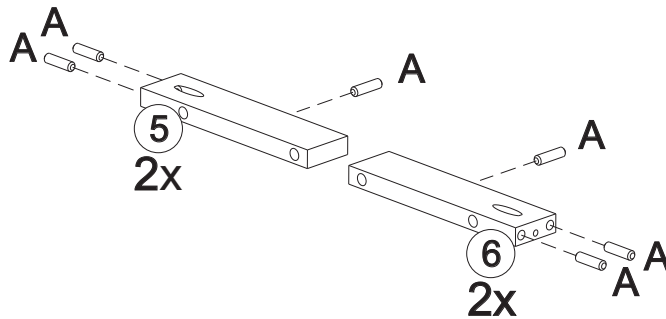
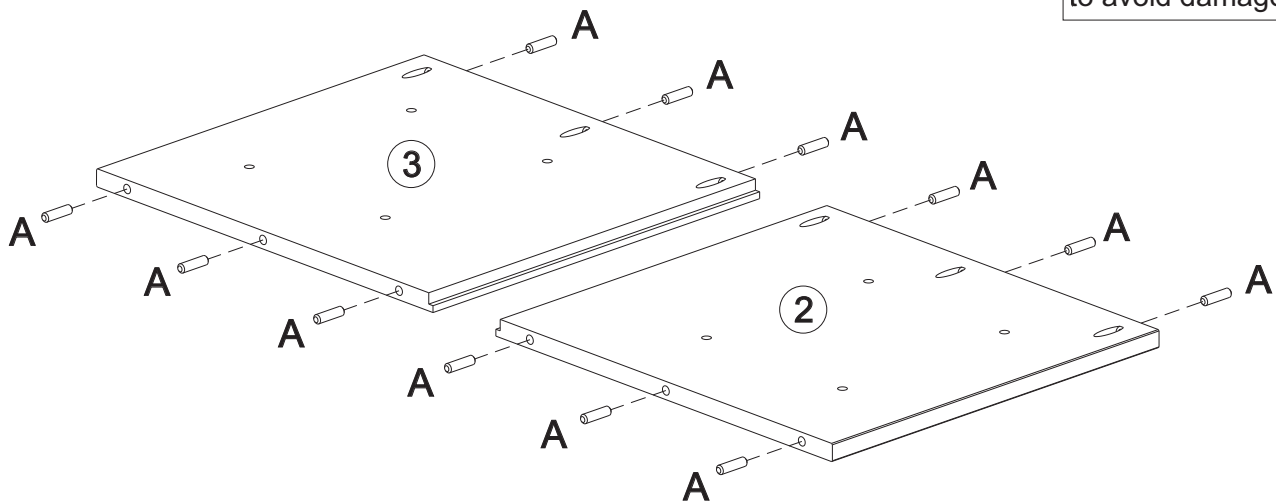
Philips head screwdriver required for assembly (not included)




*The hardware quantities listed above are required for proper assembly. Some extra hardware may also have been included.*

# Step 1



Please assemble on a clean soft surface to avoid damage.

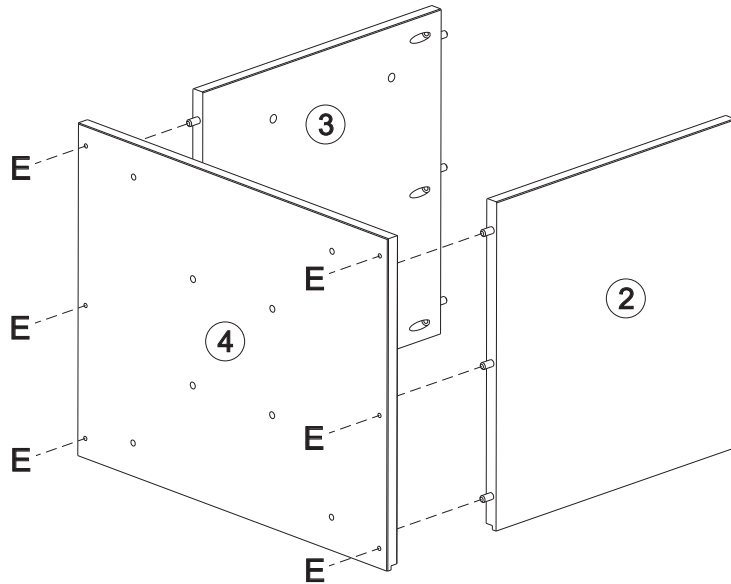


A		Ø8*30mm	32
B		Ø8*20mm	08
I			01

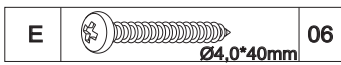
Insert wood dowel (A) and glue (I) into parts (2, 3, 5, 6, 11, 12).

Insert wood dowel (B) and glue (I) into part (9).

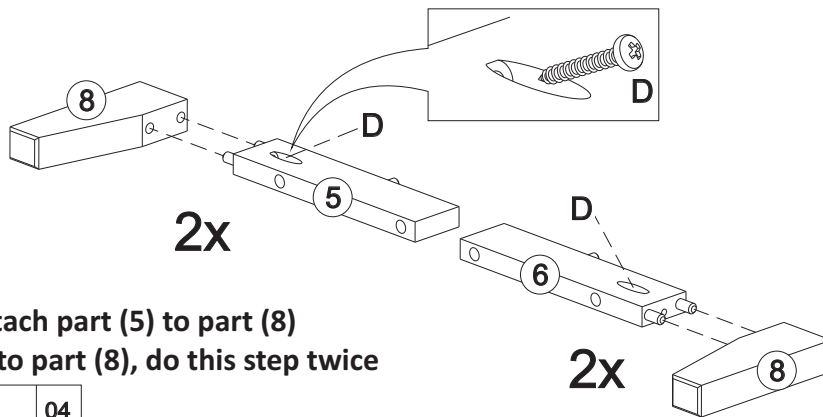
## Step 2



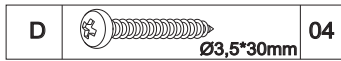
Use screw (E) to attach parts (2,3) to part (4)



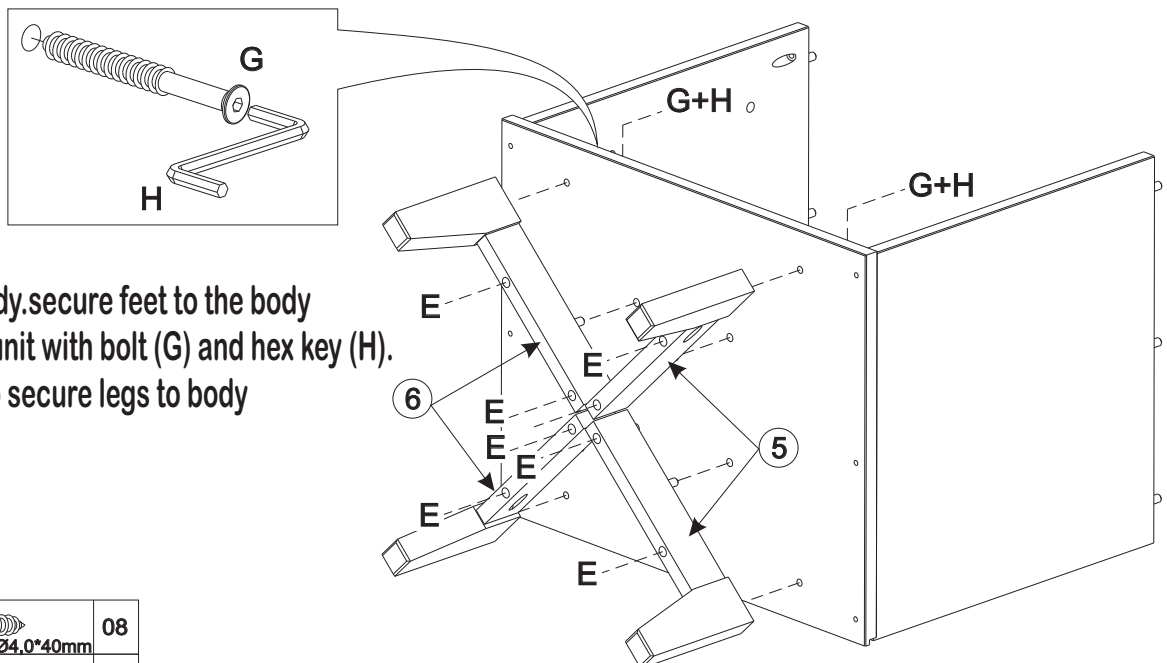
## Step 3



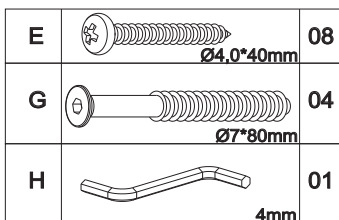
Use screw (D) to attach part (5) to part (8) and attach part (6) to part (8), do this step twice



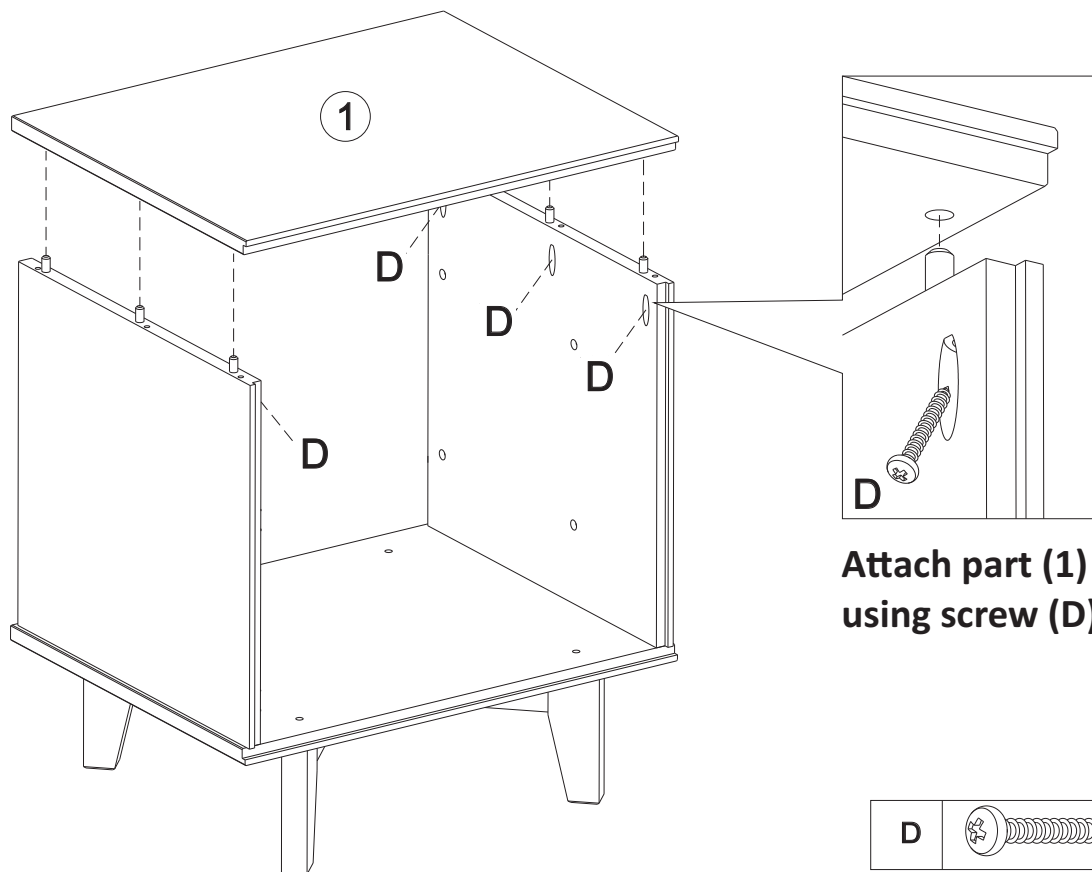
## Step 4



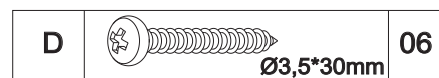
Attach leg to body. secure feet to the body from inside the unit with bolt (G) and hex key (H). Use screw (E) to secure legs to body



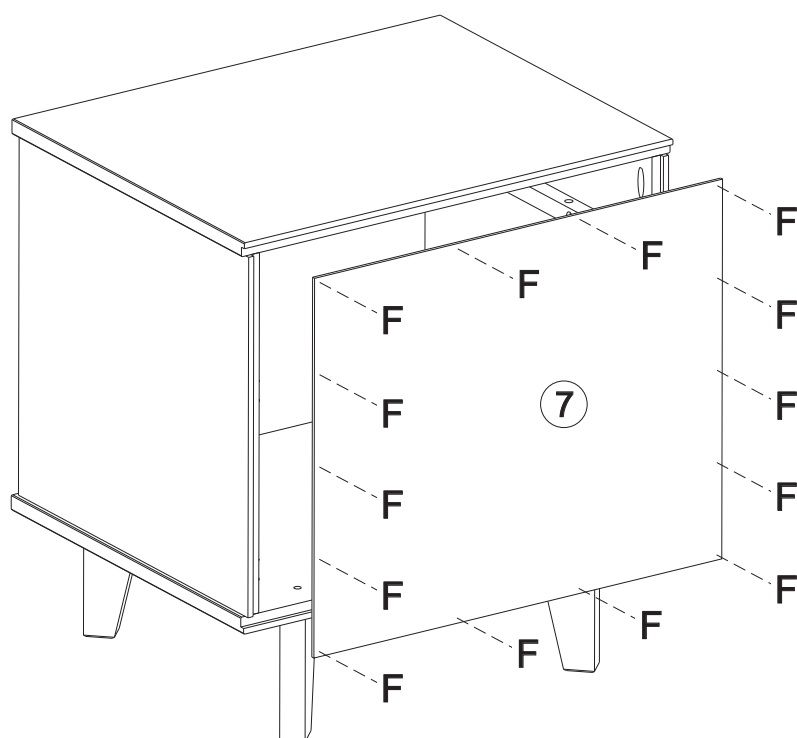
## Step 5



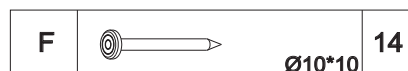
Attach part (1) to body using screw (D)



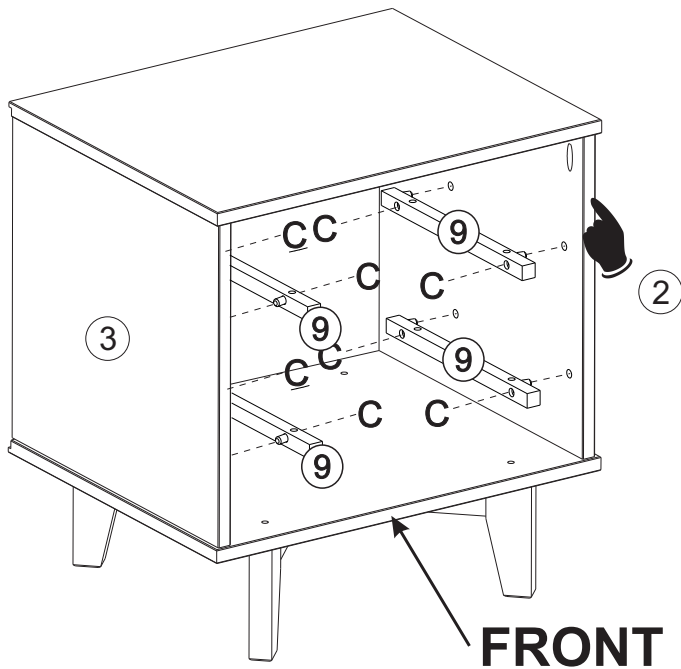
## Step 6



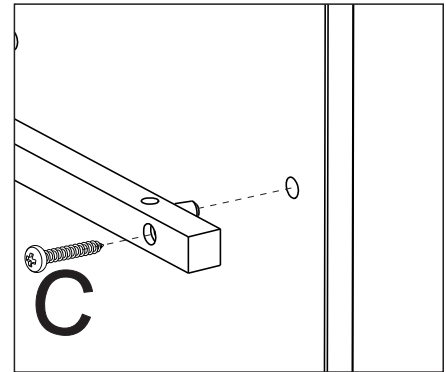
Attach back panel (7) to the body using nails (F)



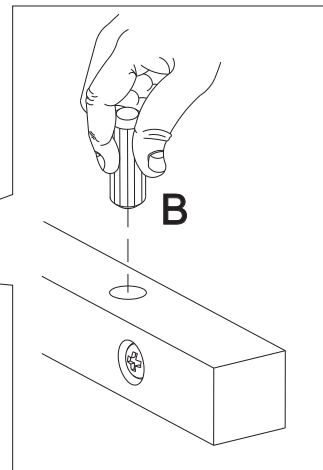
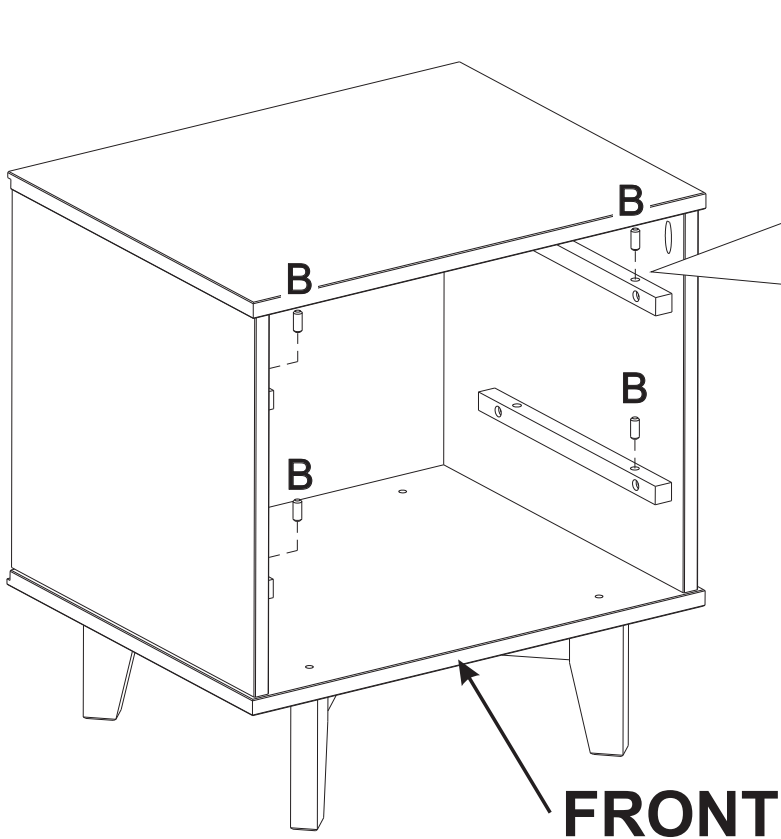
## Step 7



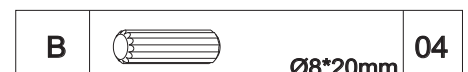
Use screw (C) to attach parts (9) to parts (2,3)  
**NOTE:** The extra holes in part (9) should face the top of parts (2,3)



## Step 8

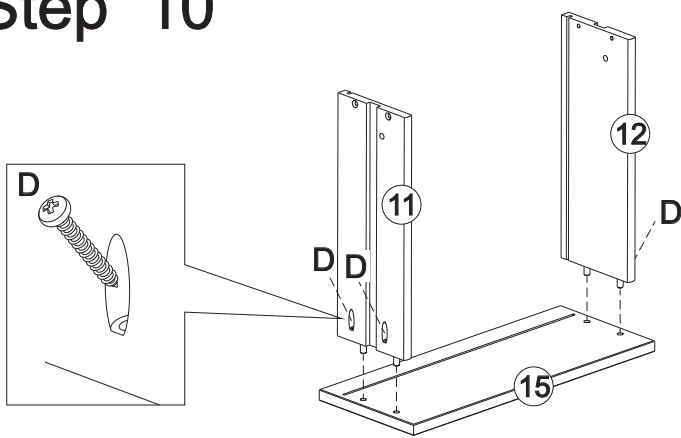


Insert wood dowel (B) into the front hole in the drawer rail (9).

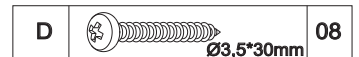
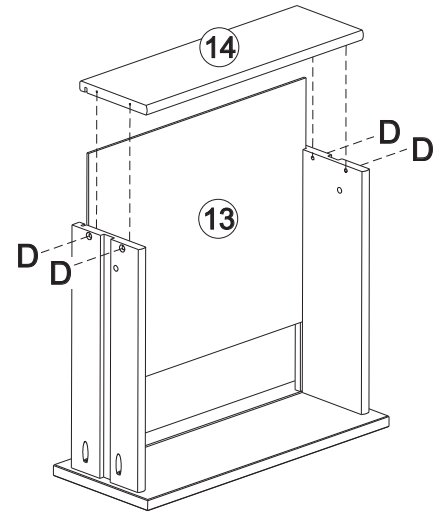




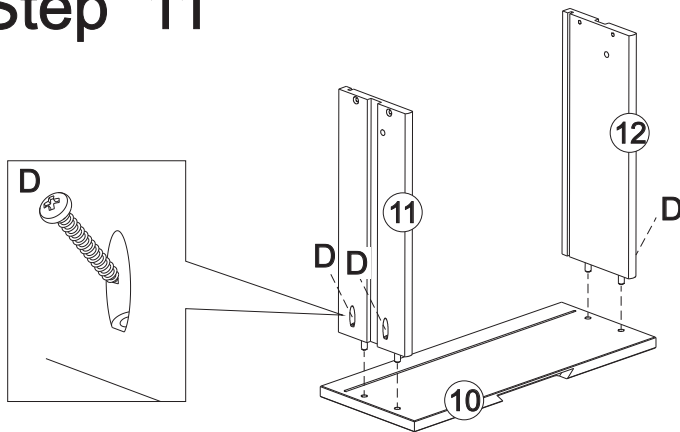
## Step 10



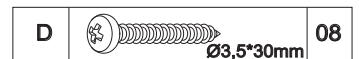
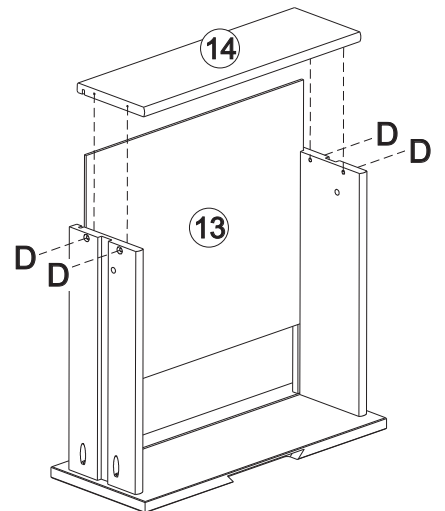
Attach parts (11,12) to part (15) , insert panel (13) into groves and secure part (14) with screws(D).



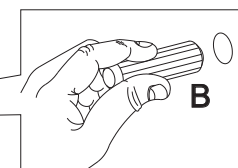
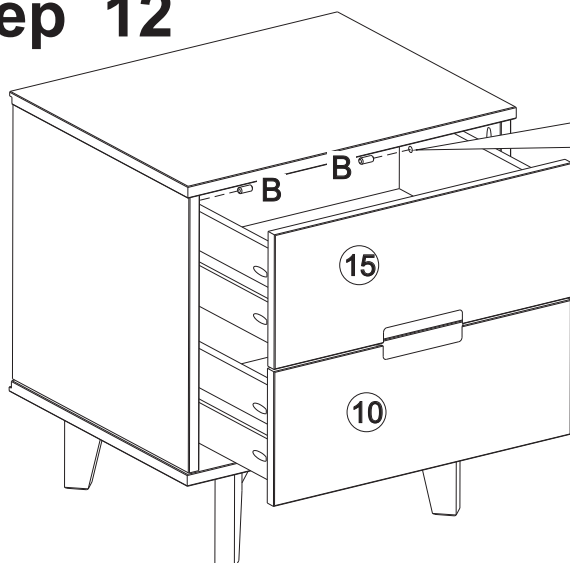
## Step 11



Attach parts (11,12) to part (10) , insert panel (13) into groves and secure part (14) with screws(D).



## Step 12



Insert wood dowel (B) on the inside of all drawers while drawer is inside the unit.  
Make sure dowel is flush with panel.

# Assembly Complete!

