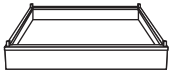









ASSEMBLY INSTRUCTIONS

Karlsen Slim Side Table

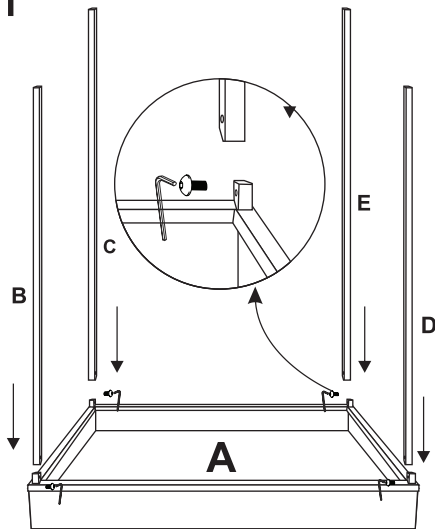
PART LIST :-

NO.	DESCRIPTION	IMAGE	QTY
A	Wood and Metal Top		1
B	Metal Legs		1
C	Metal Legs		1
D	Metal Legs		1
E	Metal Legs		1
F	Metal Base		1

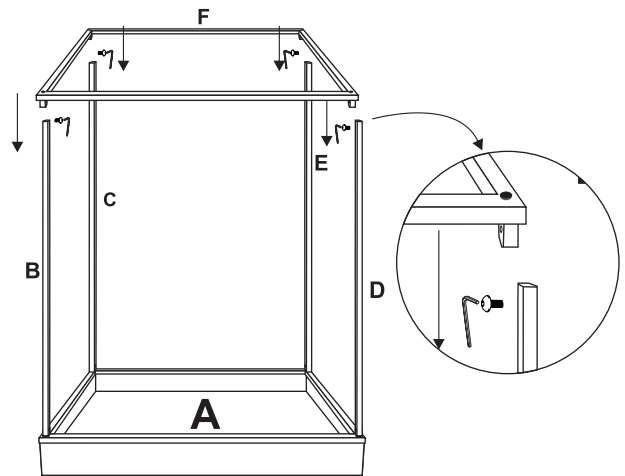
HARDWARE LIST :-

NO.	DESCRIPTION	IMAGE	QTY
G	ALLEN SCREWS		8
H	ALLEN KEY		1

STEP:- 1



STEP:- 2



STEP:- 3 ASSEMBLED

