

# SONANCE

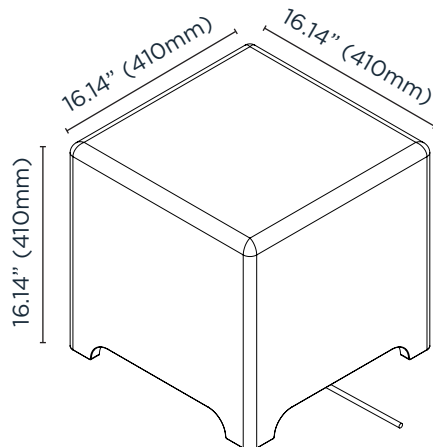
## OUTDOOR SLS DATA SHEET

### HS12T

#### TECHNICAL SPECIFICATIONS

SKU	<b>HS12T</b> 93373
UOM	Each
Woofers	12" (305mm) polypropylene cone with a Santoprene™ rubber surround
Frequency Response	22Hz-100Hz +/-3dB
Crossover Frequency	100Hz
Transformer Taps	300W, 150W, 75W, (38W 70V), 8 Ohms
Enclosure Material	Low density polyethylene (LDPE)
Finish	Dark brown textured canopy
Dimensions (LxHxD)	16.14" x 16.14" x 16.14" (410mm x 410mm x 410mm)
Shipping Weight	64.14 lbs (30.0kg)

#### DIMENSIONAL DRAWINGS



Front View

#### ASSOCIATED PRODUCTS

Sonamp DSP 2-750 MKII Amplifier / Each	93379
LS4T SAT / Each	93369
LS6T SAT / Each	93370

**LIMITED FIVE (5) YEAR WARRANTY** Sonance warrants to the first end-user purchaser that this Sonance-brand product ("Product"), when purchased from an authorized Sonance Dealer/Distributor, will be free from defective workmanship and materials for the period stated above. Sonance will at its option and expense during the warranty period, either repair the defect or replace the Product with a new or remanufactured Product or a reasonable equivalent. For more details please refer to the product manual.

©2021 Sonance. All rights reserved. Sonance is a registered trademarks of Dana Innovations. Due to continuous product improvement, all features and specifications are subject to change without notice. For the latest Sonance product specification information visit our website at [www.sonance.com](http://www.sonance.com).

SONANCE • 991 Calle Amanecer • San Clemente, CA 92673 USA • Phone: (949) 492-7777 • Fax: (949) 361-5151 • Technical Support: (949) 492-7777 • [www.sonance.com](http://www.sonance.com) 08.03.2021