

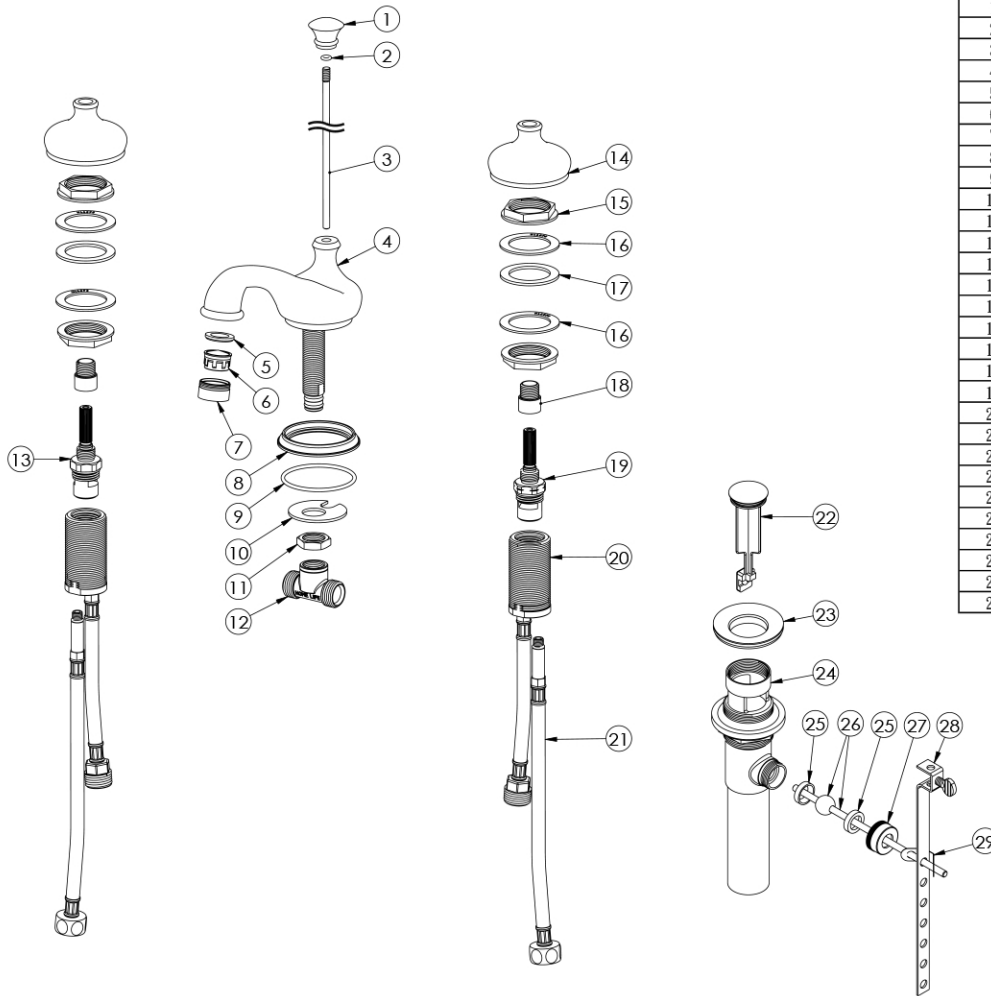


MAIDSTONE

www.MaidstoneSupply.com

Bathroom Sink Faucet Body

Part No: 124-WS2-B



No.	Part Name	Part No.	FINISH
1	Lift knob	HL-3306	Y
2	O-ring	HL-1504	
3	Lift rod	HL-3208	Y
4	Spout	HL-V302-SPT	Y
5	Rubber washer	HL-1819	
6	Flow regulator	HL-3102-6	
7	Aerator housing	HL-3025	Y
8	Escutcheon	HL-2672	Y
9	O-ring	HL-1583	
10	Metal washer	HL-1882	
11	Lock nut	HL-3402	
12	Connect Tee	HL-V4529	
13	Hot cartridge	HL-V162L-32TH	
14	Escutcheon	HL-4401	Y
15	Lock nut	HL-3453	
16	Plastic washer	HL-1876	
17	Rubber washer	HL-1859	
18	Sleeve	HL-4301	
19	Cold Cartridge	HL-V162L-32TC	
20	Valve body with hose	HL-V4562+S	
21	Hose	HL-V5032	
22	Stopper	HL-4533-1+4	Y
23	Flange	HL-4533-3	Y
24	Drain body	HL-4533-BD	
25	Ball washer	HL-4533-11	
26	Pivot rod	HL-4533-12	
27	Lock nut	HL-4533-14	
28	Rod strap	HL-4533-16	
29	Clip	HL-4533-15	

Contact Maidstone for additional information and specifications. For complete warranty information and a list of dealers visit www.MaidstoneSupply.com. All products and specifications are subject to change without notice. Maidstone is not responsible for typographical and/or dimensional errors. Typographical errors are subject to correction.

Note: Rough-in dimensions may vary +/- 1/2" and are subject to change. No responsibility is assumed by Maidstone.

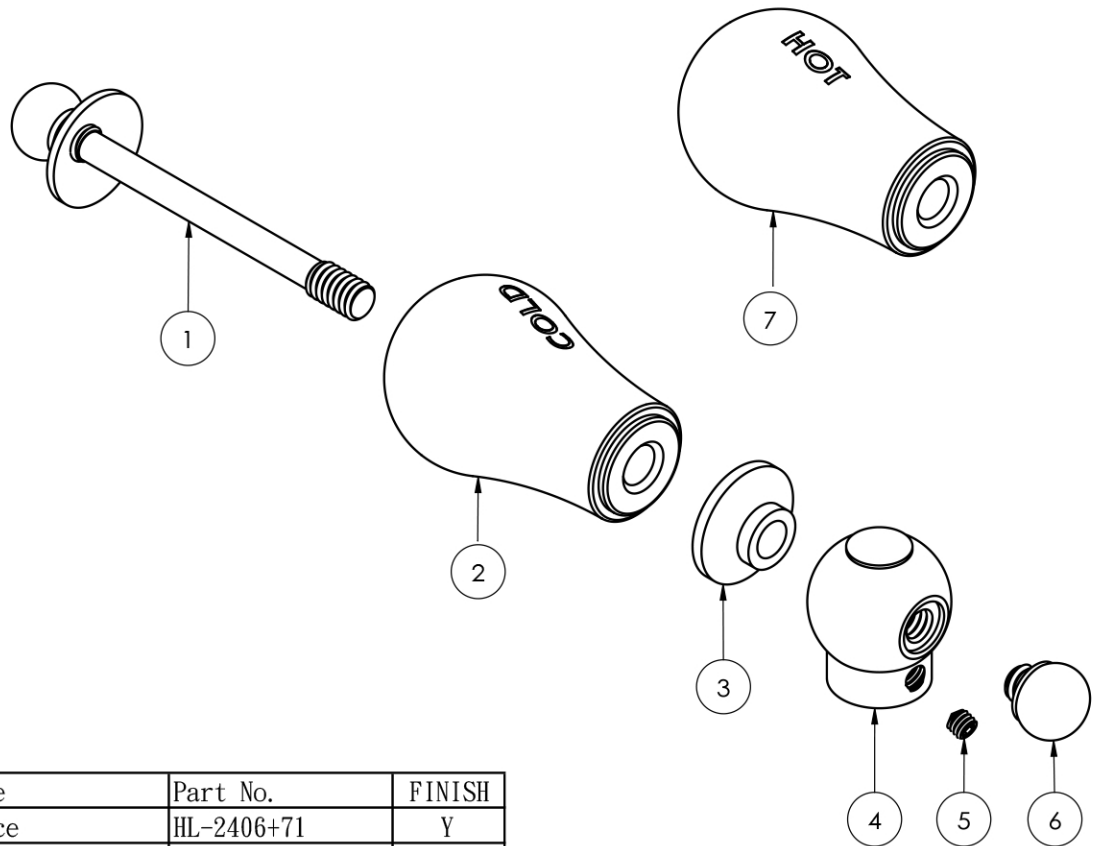


MAIDSTONE

www.MaidstoneSupply.com

Porcelain Lever Handles

Part No: PLH-



No.	Part Name	Part No.	FINISH
1	Tail piece	HL-2406+71	Y
2	Handle lever - COLD	HL-2312	
3	Holder	HL-2203	Y
4	Handle base	HL-23005-2-32T	Y
5	Set screw	HL-1406-4V	
6	End ball	HL-23005-1	Y
7	Handle lever - HOT	HL-2311	

Contact Maidstone for additional information and specifications. For complete warranty information and a list of dealers visit www.MaidstoneSupply.com. All products and specifications are subject to change without notice. Maidstone is not responsible for typographical and/or dimensional errors. Typographical errors are subject to correction.

Note: Rough-in dimensions may vary +/- 1/2" and are subject to change. No responsibility is assumed by Maidstone.