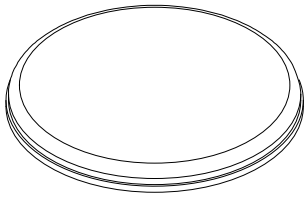


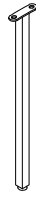
ASSEMBLY INSTRUCTION

ROUND OTTOMAN WITH 4 NESTING STOOLS

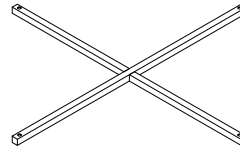
A Ottoman Cushion **B** Ottoman Leg **C** Ottoman Cross Bar **D** Stools Cushion



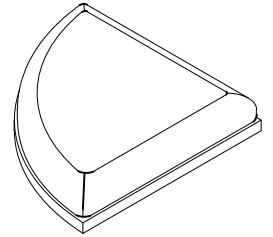
1pc



4pcs

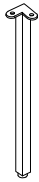


1pc



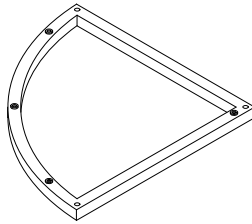
4pcs

E Stools Leg



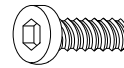
12pcs

F Stools Frame



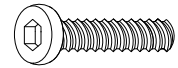
4pcs

G Bolt
Ø1/4"x1/2"(gold)



36pcs

H Bolt
Ø1/4"x1-3/8"



12pcs

I Flat Washer
Ø1/4"x16mm

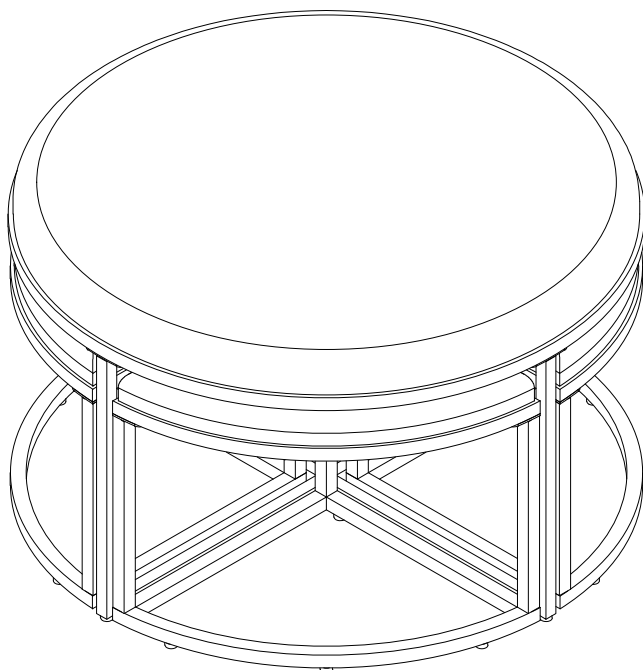


16pcs

J Allen Key
M4



2pcs

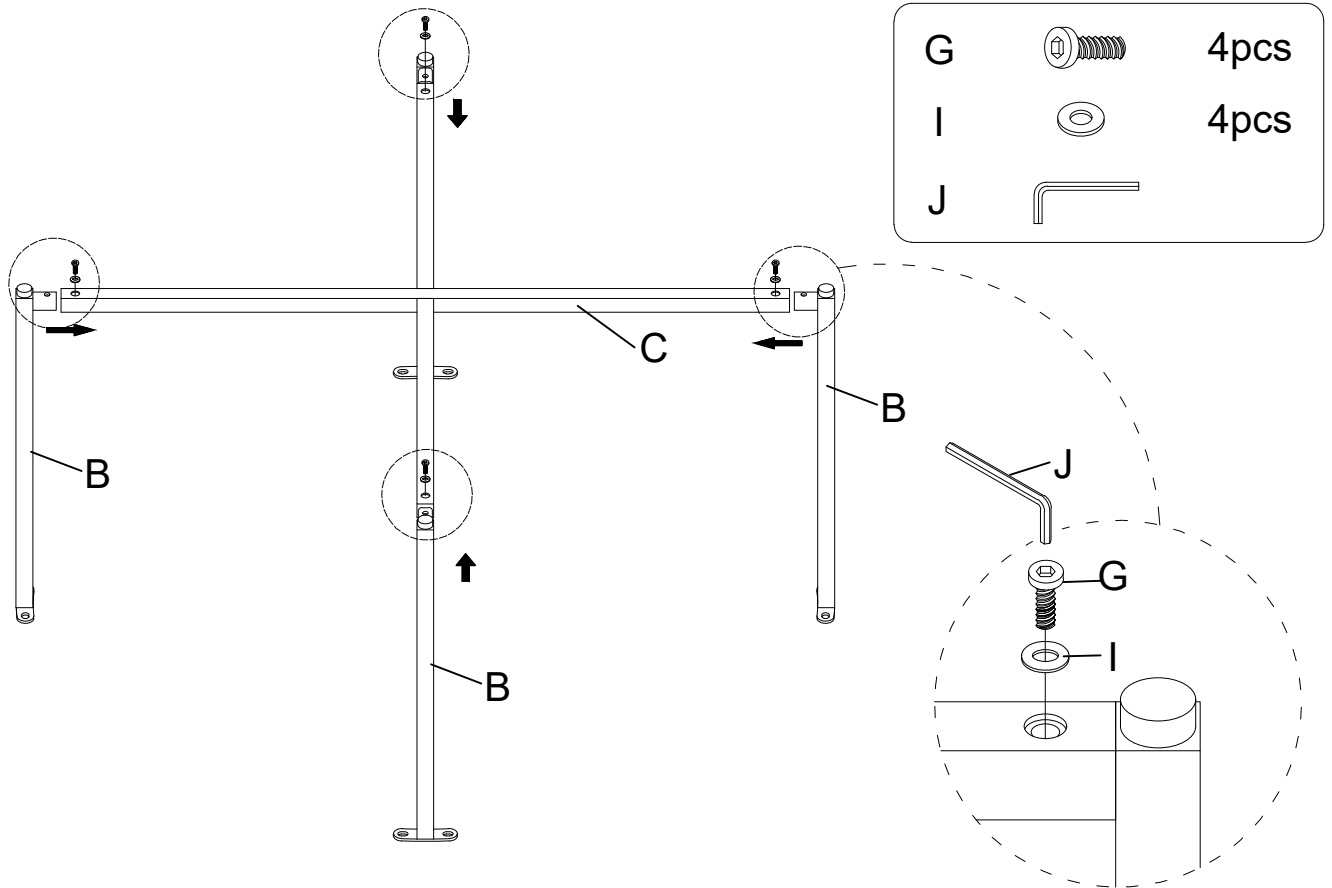


This page lists all the contents included in the box. Please take the time to identify the hardware as well as the individual components to this product. As you unpack and prepare for assembly, place the contents on a carpeted or padded area to protect them from damage.

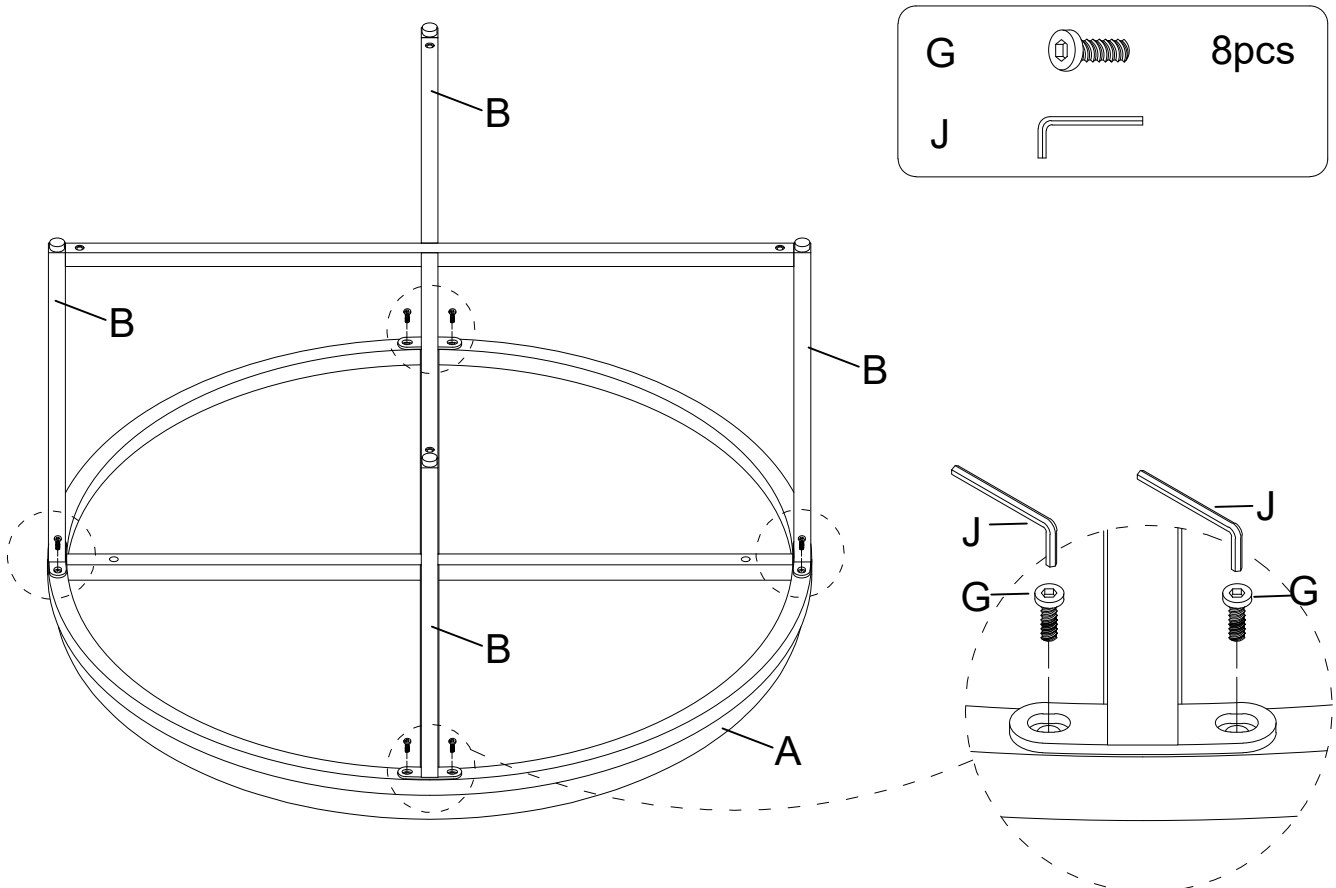
Remind:

Do not fully tighten all bolts until assembly is complete. This will help all parts to assemble properly.

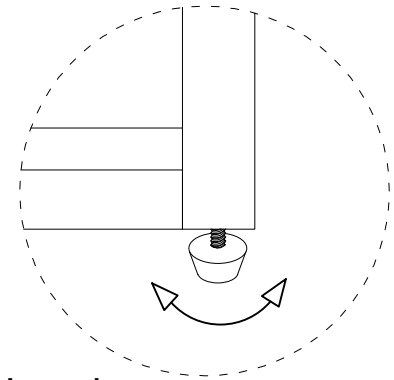
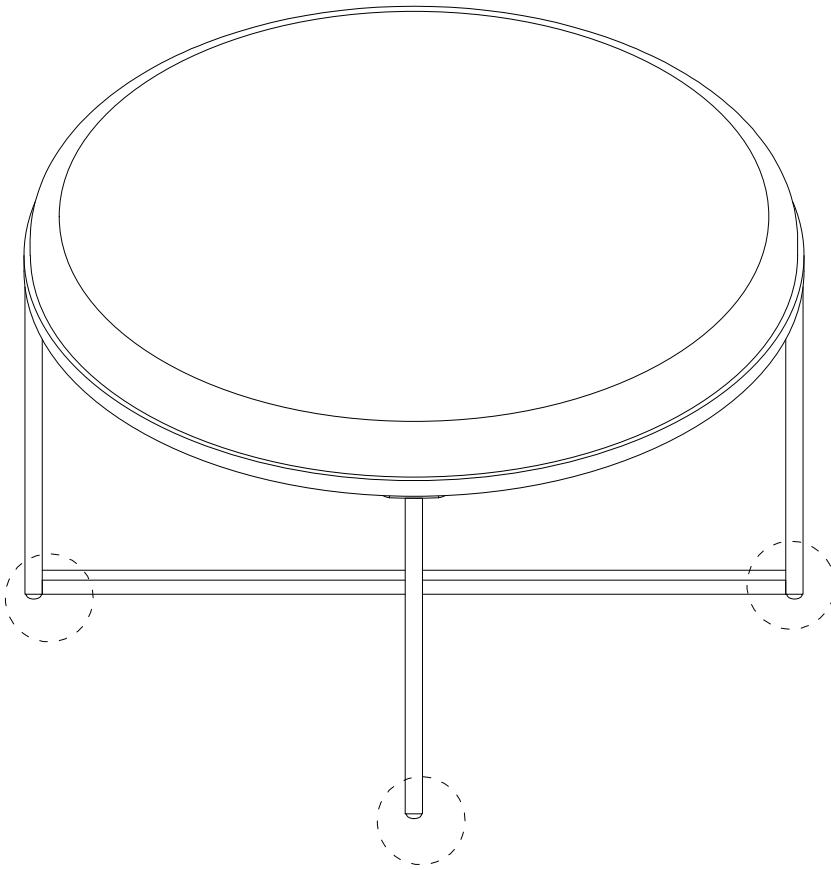
1 Assemble Ottoman Leg (B) to Ottoman Cross Bar (C), using Bolt (G) & Flat Washer (I) by Allen Key (J) as below shown.



2 Assemble Ottoman Leg (B) to Ottoman Cushion (A), using Bolt (G) by Allen Key (J) as below shown.

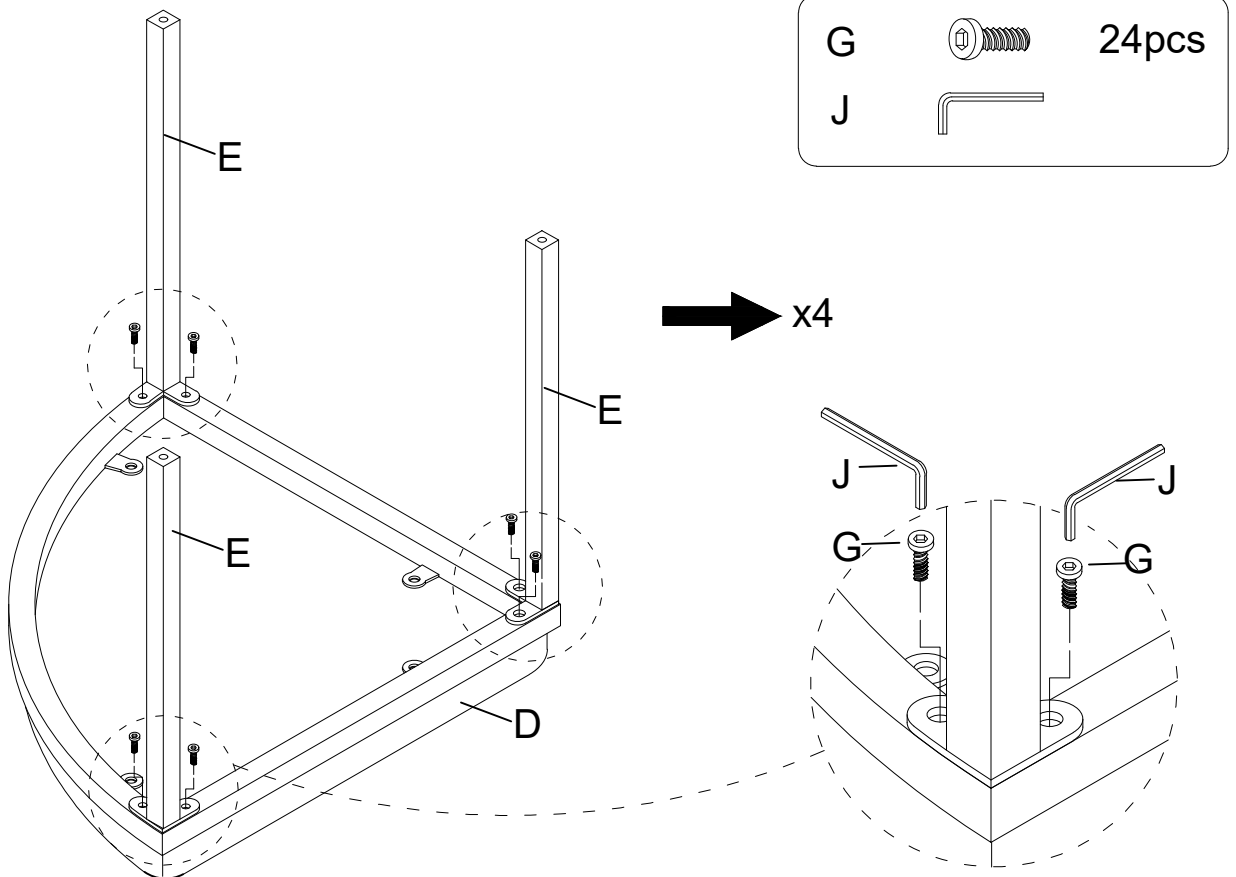


3 Adjust any parts out of alignment and tighten all Bolts from step 1 Through 2.



Leveler
Turn left or turn right to
adjust the leveler until
it is stabilized.

4 Assemble Stools Leg (E) to Stools Cushion (D), using Bolt (G) by Allen Key (J) as below shown.

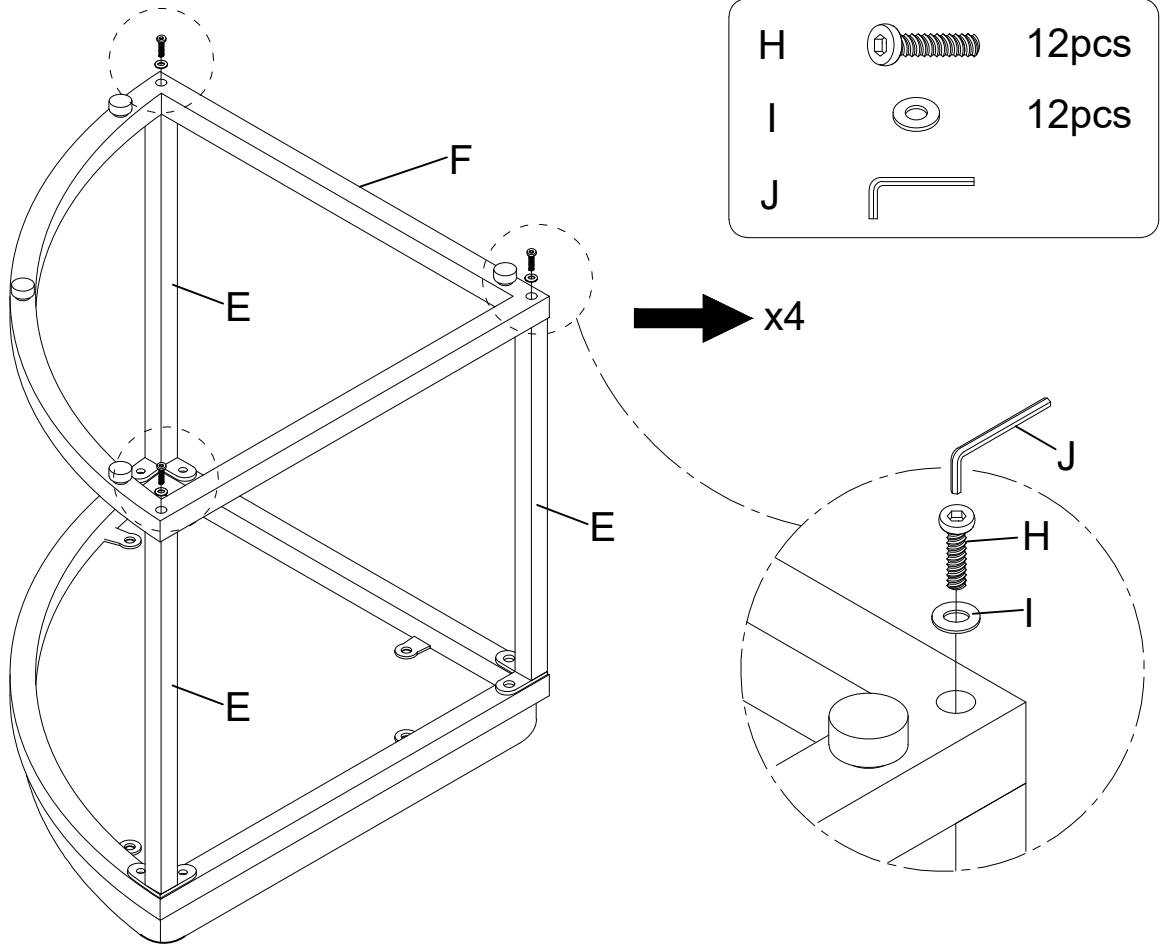


G  24pcs

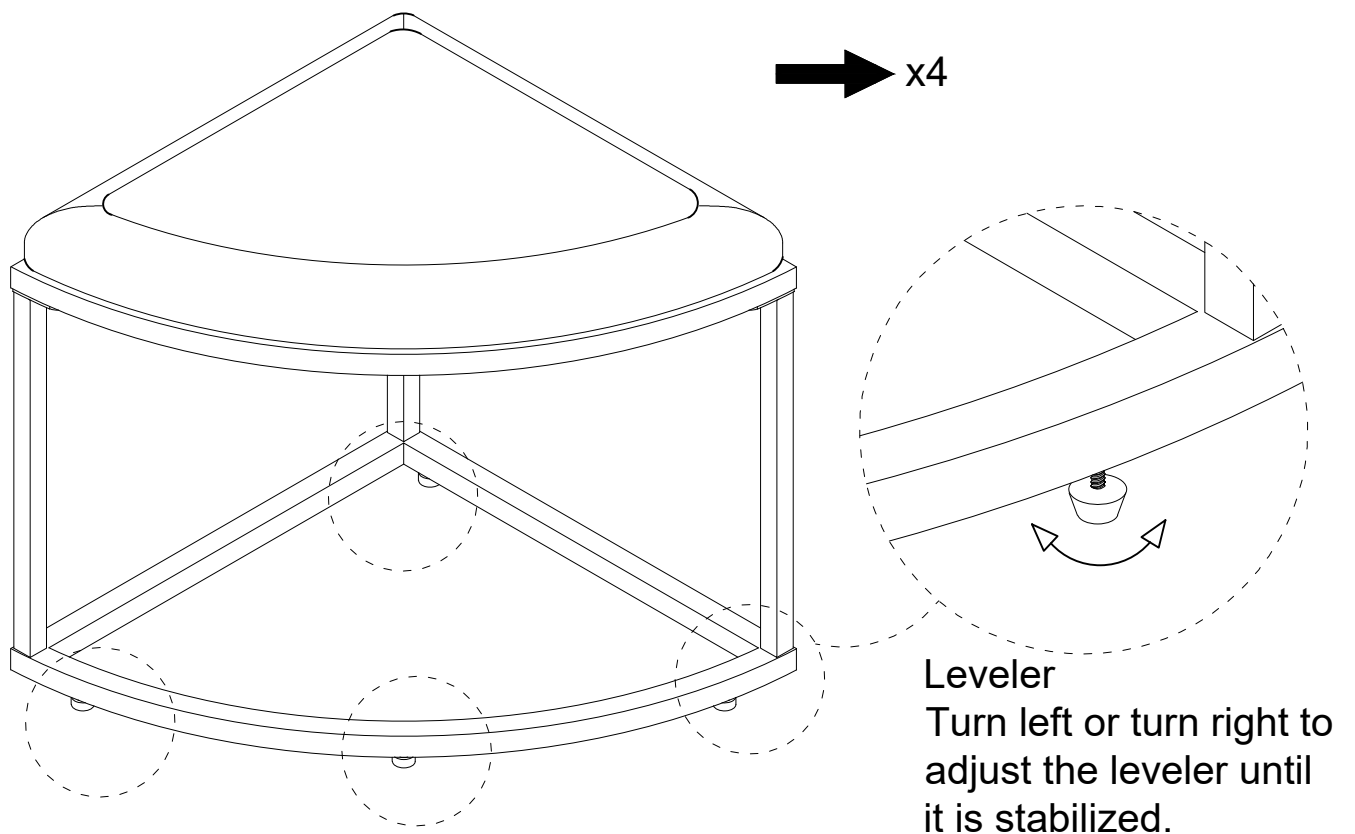
J 

x4

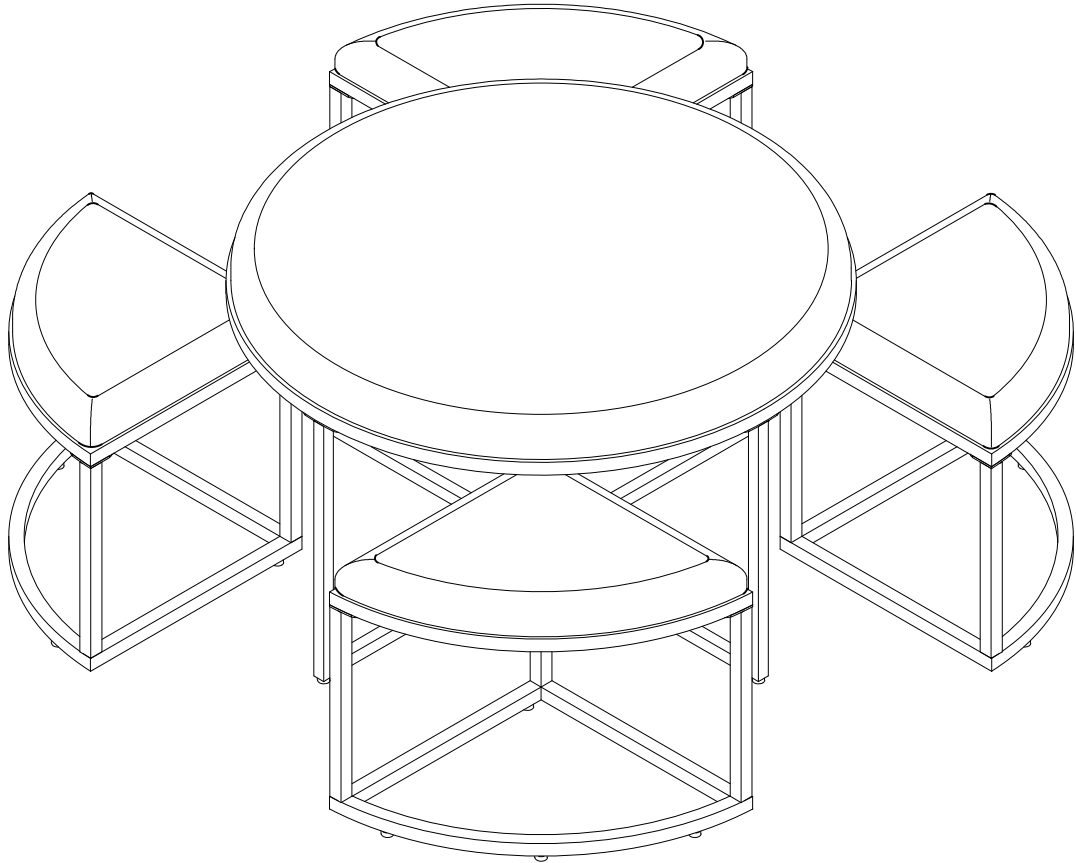
5 Assemble Stools Frame (F) to Stools Leg (E), using Bolt (H) & Flat Washer (I) by Allen Key (J) as below shown.



6 Adjust any parts out of alignment and tighten all bolts from step 4 through 5.



7 Stools can place under the ottoman.



Cleaning & Care

Treat surface with care. Surface is resistant to scratches but is not scratch resistant. Clean surfaces with a dry or damp soft cloth. Do not use abrasive cleaners. Hardware may loosen over time. Periodically check that all connections are tight.