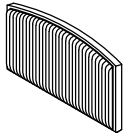
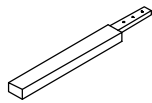
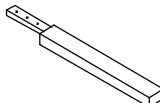

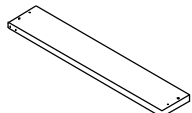
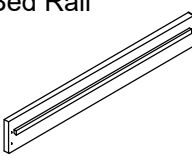
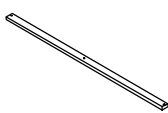


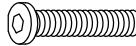



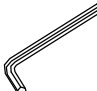

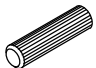
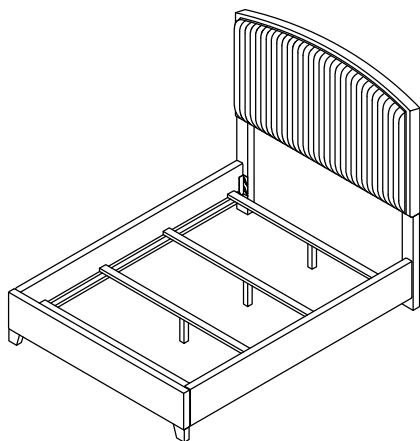


# ASSEMBLY INSTRUCTION

## PLEATED QUEEN BED

<b>A</b> Headboard  1 pc	<b>B</b> Left Leg  1 pc	<b>C</b> Right Leg  1 pc	<b>D</b> Bunfoot  2 pcs
<b>E</b> Footboard  1 pc	<b>F</b> Bed Rail  2 pcs	<b>G</b> Bed Slat  4 pcs	<b>H</b> Support Leg  4 pcs
<b>I</b> Allen Bolt $\text{Ø } 5/16" \times 3"$  2 pcs	<b>J</b> Allen Bolt $\text{Ø } 5/16" \times 1-3/4"$  6 pcs	<b>K</b> Allen Bolt $\text{Ø } 5/16" \times 3/4"$  8 pcs	<b>L</b> Lock Washer $\text{Ø } 5/16"$  16 pcs
<b>M</b> Flat Washer $\text{Ø } 5/16" \times 19\text{mm}$  16 pcs	<b>N</b> Allen Key 5mm  1 pc	<b>O</b> Wood Screw $\#8 \times 1-1/2"$  8 pcs	<b>P</b> Wood Dowel $\text{Ø } 10 \times 30\text{mm}$  2 pcs



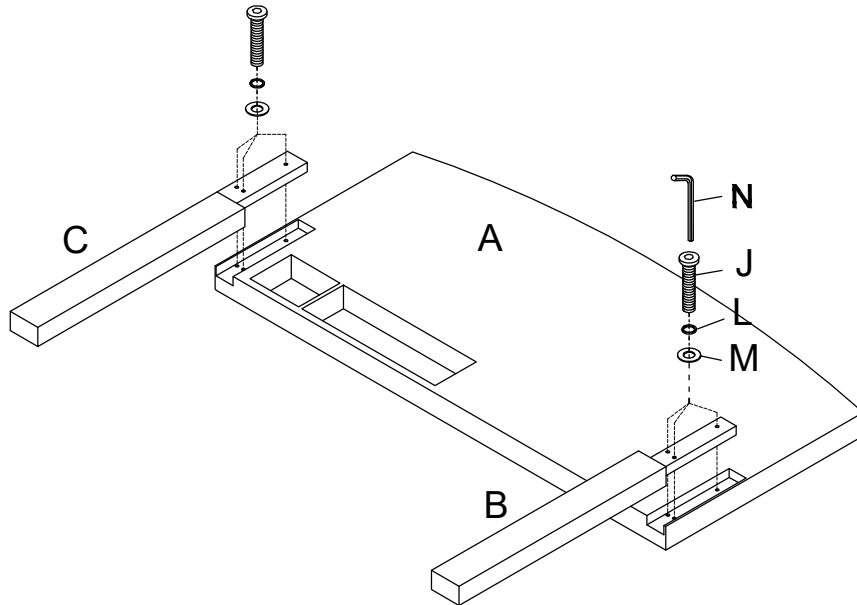
This page lists all the contents included in the box. Please take the time to identify the hardware as well as the individual components to this product. As you unpack and prepare for assembly, place the contents on a carpeted or padded area to protect them from damage.

### IMPORTANT NOTE:

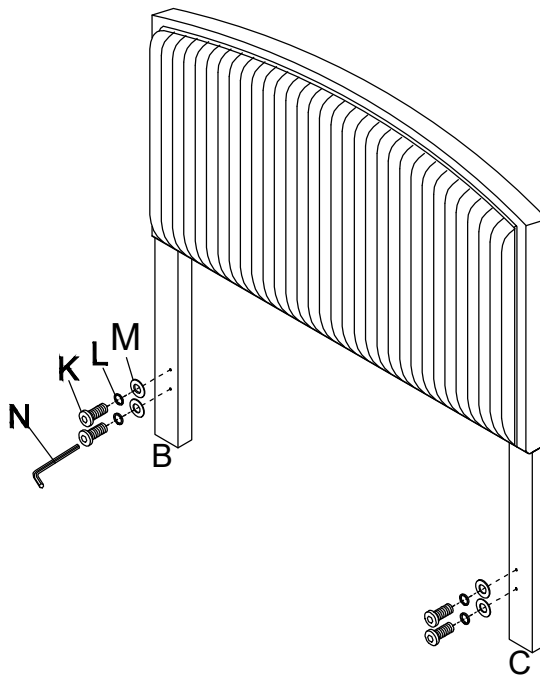
1. Do not tighten all screws / bolts until all completely assembled.
2. Keep all hardware parts out of reach of children.

**\*\*\* Do not tighten screws & bolts until the entire unit is completely assembled.**

- 1** Attach Left Leg (B) and Right Leg (C) to Headboard (A) using Allen Bolt (J), Lock Washer (L), Flat Washer (M) and Allen Key (N).

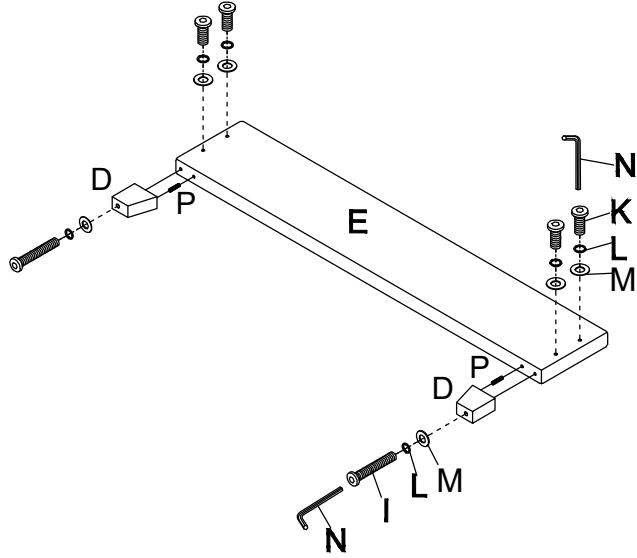


- 2** Attach Allen Bolt (K) through Lock Washer (L) and Flat Washer (M) using Allen Key (N) to Right Leg & Left Leg (B&C).

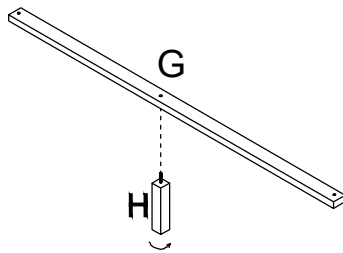


**\*\*\* Do not tighten screws & bolts until the entire unit is completely assembled.**

- 3** Insert Wood Dowel (P) to Bunfoot (D). Attach Bunfoot (D) to Footboard (E) by using Allen Bolt (I), Lock Washer (L) and Flat Washer (M) with Allen Key (N). Attach Allen Bolt (K), Lock Washer (L), Flat Washer (M) with Allen Key (N).

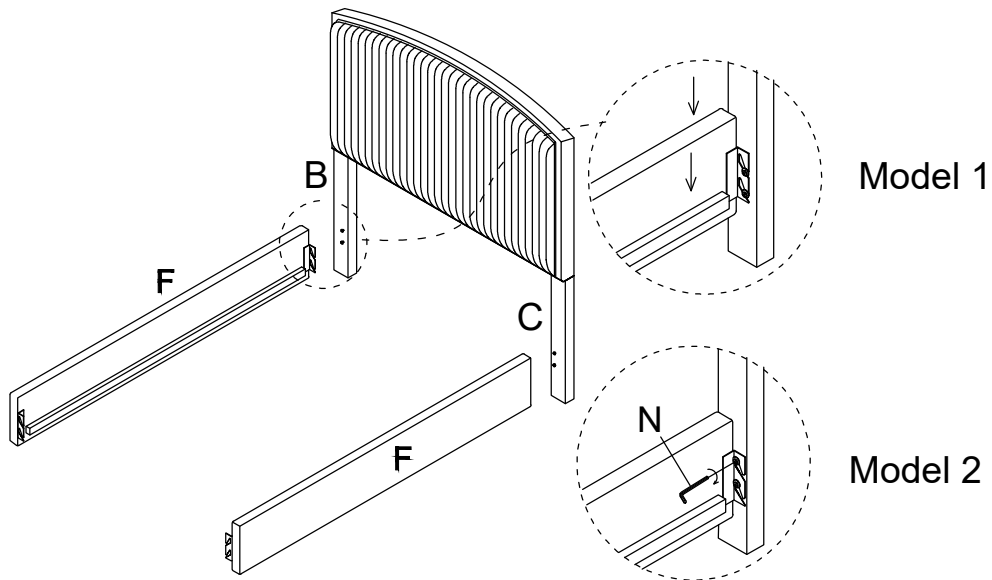


- 4** Screw Support Leg (H) on Bed Slat (G).

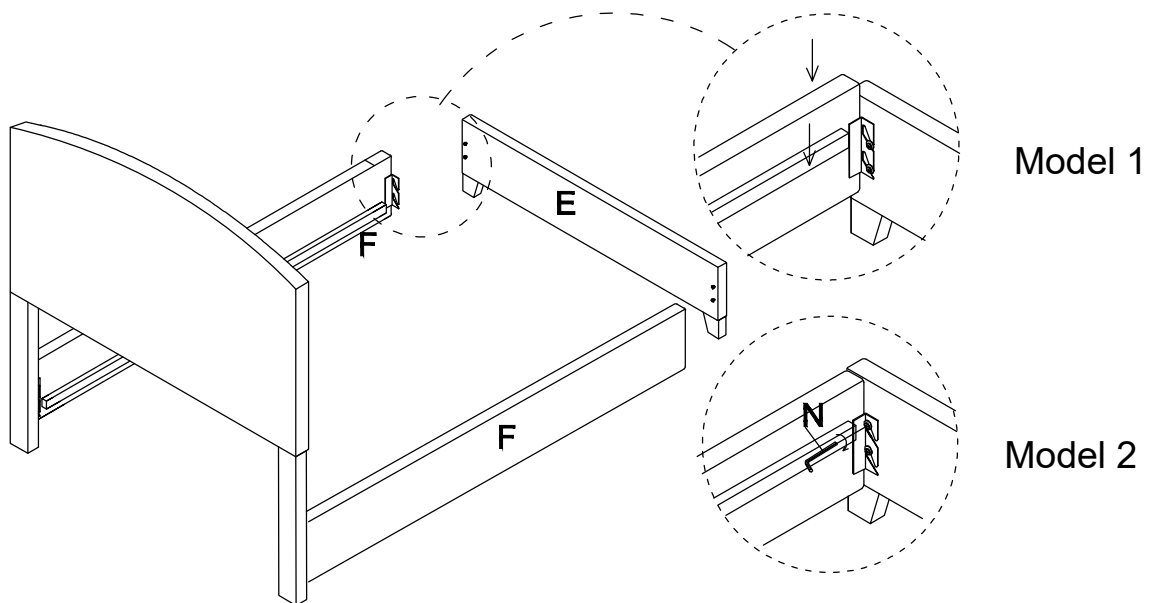


**\*\*\* Do not tighten screws & bolts until the entire unit is completely assembled.**

- 5** Attach Bed Rail (F) to Left and Right Leg (B&C) as shown as Model 1, then tighten with Allen Key (N) as shown as Model 2.

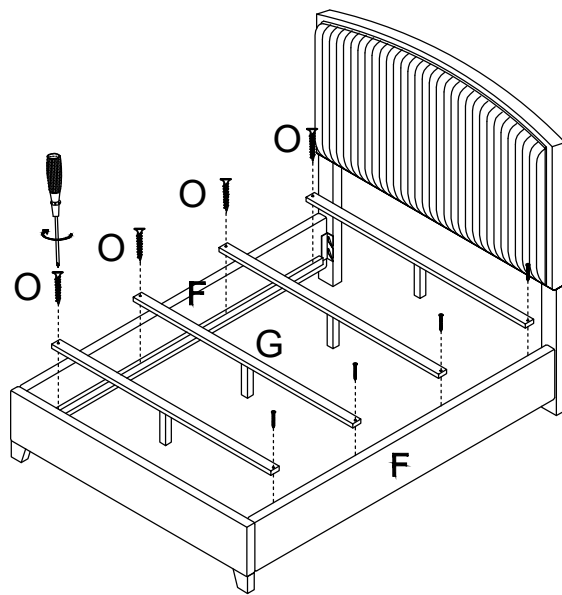


- 6** Attach Bed Rail (F) to Footboard (E) as shown as Model 1, then tighten with Allen Key (N) as shown as Model 2.



**\*\*\* Do not tighten screws & bolts until the entire unit is completely assembled.**

**7** Attach Bed Slat (G) to Bed Rail (F) and tighten with Wood Screw (O) by Phillips Head Screwdriver.



Phillips Head Screwdriver (not included) is required for assembly. Use the Phillips Head Screwdriver to tighten the Wood Screws.

### Cleaning & Care

Treat surface with care. Surface is resistant to scratches but is not scratch resistant. Clean surfaces with a dry or damp soft cloth. Do not use abrasive cleaners. Hardware may loosen over time. Periodically check that all connections are tight.