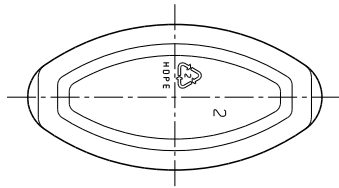
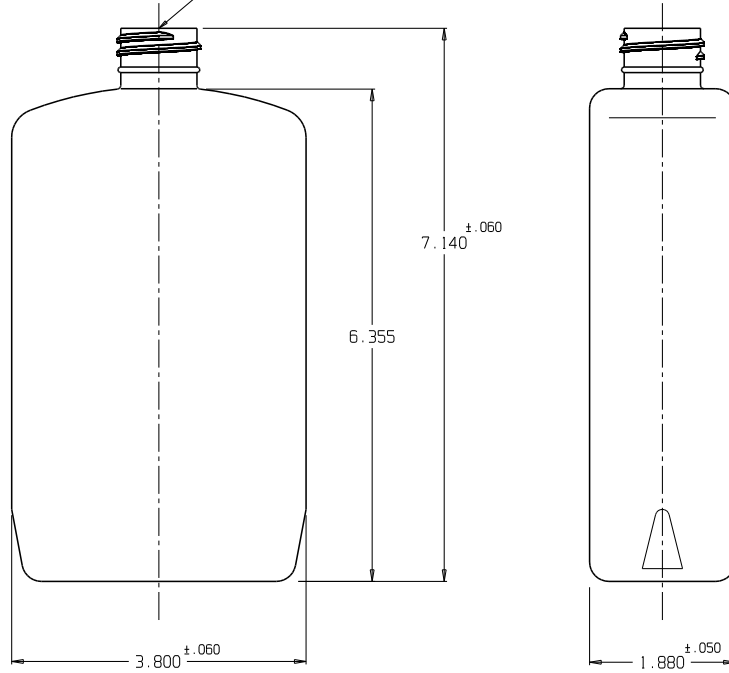


NECK FINISH
 M28-SP410 NECK FINISH
 MODIFIED BUTTRESS THREAD
 6 THREADS PER INCH
 2 TURNS OF FULL THREAD



NOTES :

1. FULL SCALE
2. STANDARD SPI TOLERANCES APPLY
3. MATERIAL - HDPE
4. BOTTLE WEIGHT - 34 Gr. ±1
5. OVERFLOW CAPACITY - 524cc ±11

17 27 Fl Oz ± 37

DISCLAIMER

THIS INFORMATION IS PROVIDED AS A GENERAL GUIDE, INCLUDING DIMENSIONS. IT IS THE CUSTOMER'S RESPONSIBILITIES TO SELECT THE PROPER CONTAINER FOR PRODUCT AND APPLICATION COMPATIBILITY.

DISTRIBUTED BY:



REF NO.:

DWG30752

DESCRIPTION:

16 oz HDPE Oval, 28-410, 40 Gram