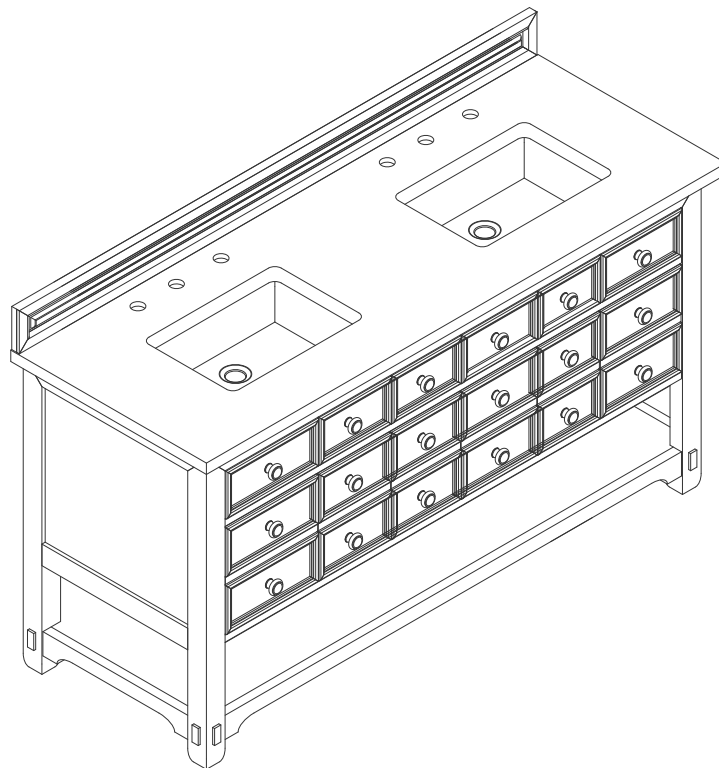


# 72" MALIBU VANITY

**JAMES MARTIN**  
VANITIES

500-V72-HON



## Features and Materials

Solids: Soft Maple

Veneers: Birch

Panels: Plywood

Installation Type: Floor Standing

Number of Basins: Two, with Optional 3cm Top

Vanity Top : NO, Optional 3cm Tops Available with Sinks

Optional Wooden Backsplash

Basins Included: NO

Overflow: Yes, Front Facing

Number of Doors: 0

Number of Drawers: Five

Number of Tip Outs: Two

Assembly Type: Installation of Optional 3cm Top

Drawer Box Material and Construction: 12mm Plywood/English Dovetail Joinery

Hardware Material and Finish: Zinc Alloy in Antique Iron Color

Fits Drain Hole Size: 1 3/4"

Full Extension, Soft Close Glides

Aluminum Laminate Drawer Liners

Adjustable Levelers

## Dimension

Width: 71-3/4"

Depth: 23"

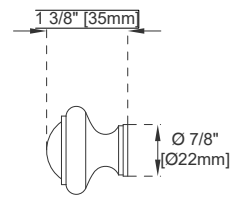
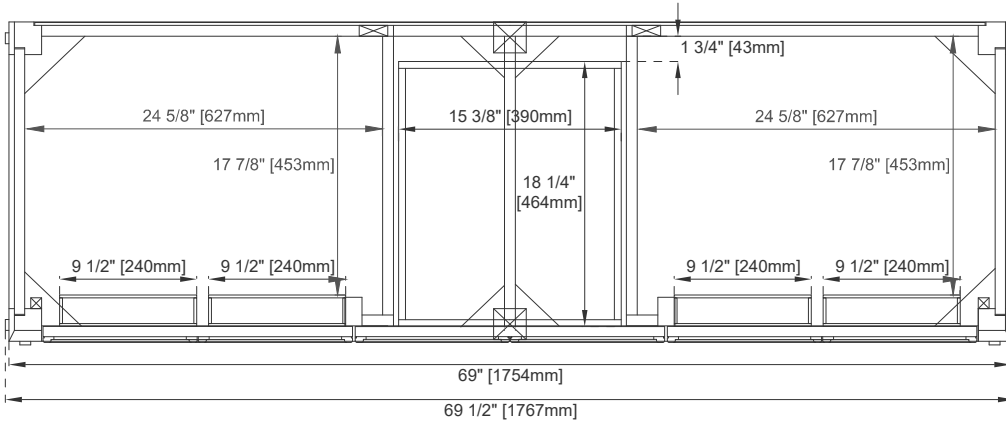
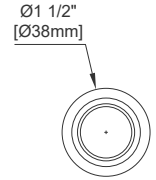
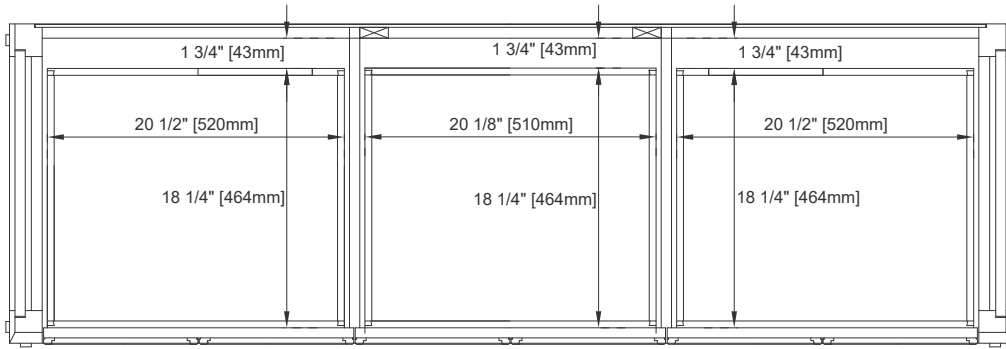
Height: 32-5/8"

Rough-In Height: 21-1/2"

# 72" MALIBU VANITY

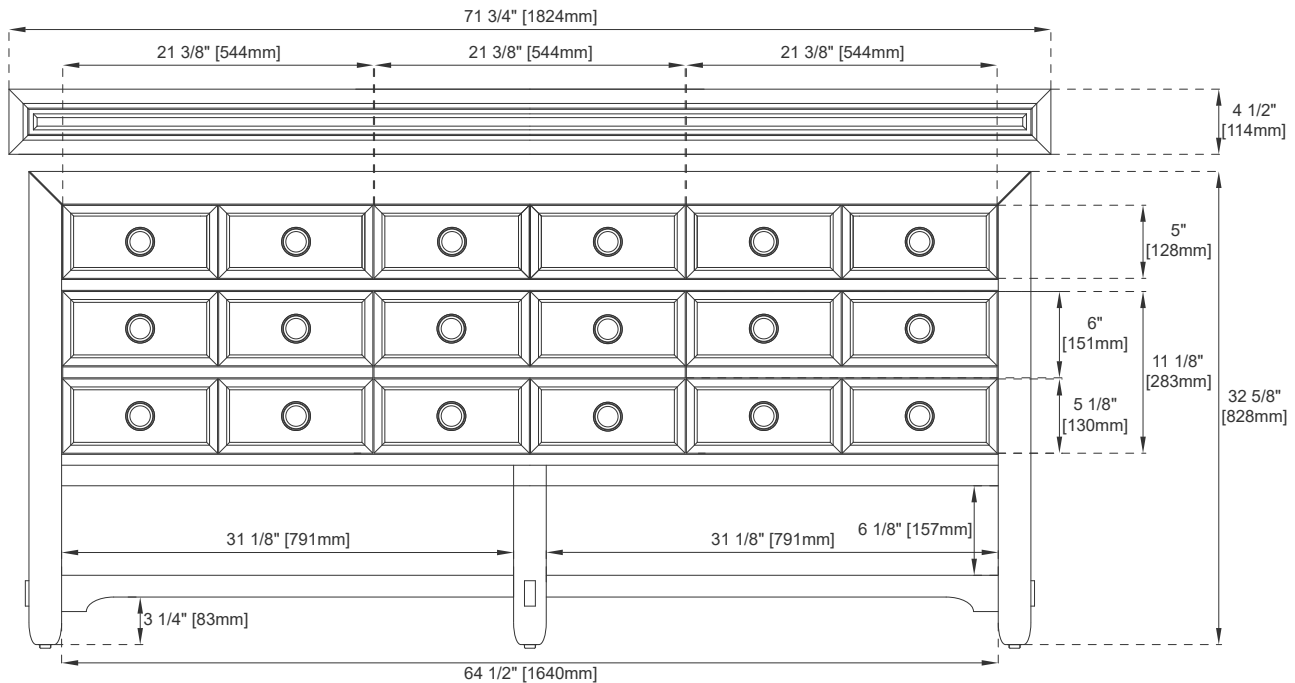
# JAMES MARTIN VANITIES

500-V72-HON



Knob

Top View



Front View

All dimensions are nominal

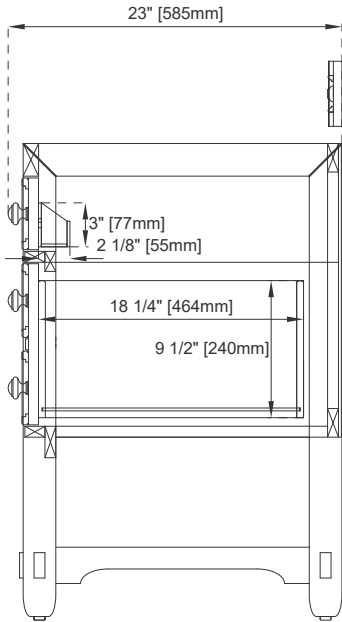
Diagrams are of cabinet only—James Martin Optional Countertops and sinks are not shown

Visit website for warranty and installation information  
[www.jamesmartinvanities.com](http://www.jamesmartinvanities.com)

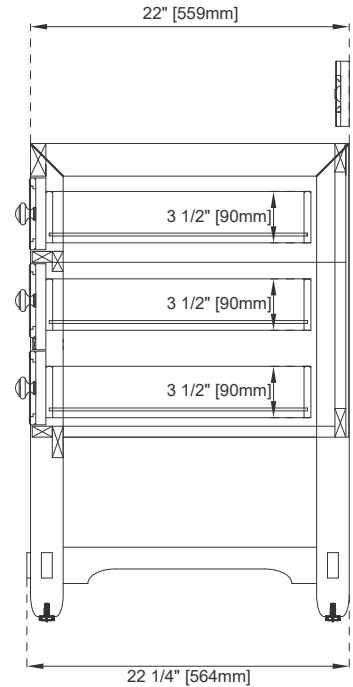
# 72" MALIBU VANITY

# JAMES MARTIN VANITIES

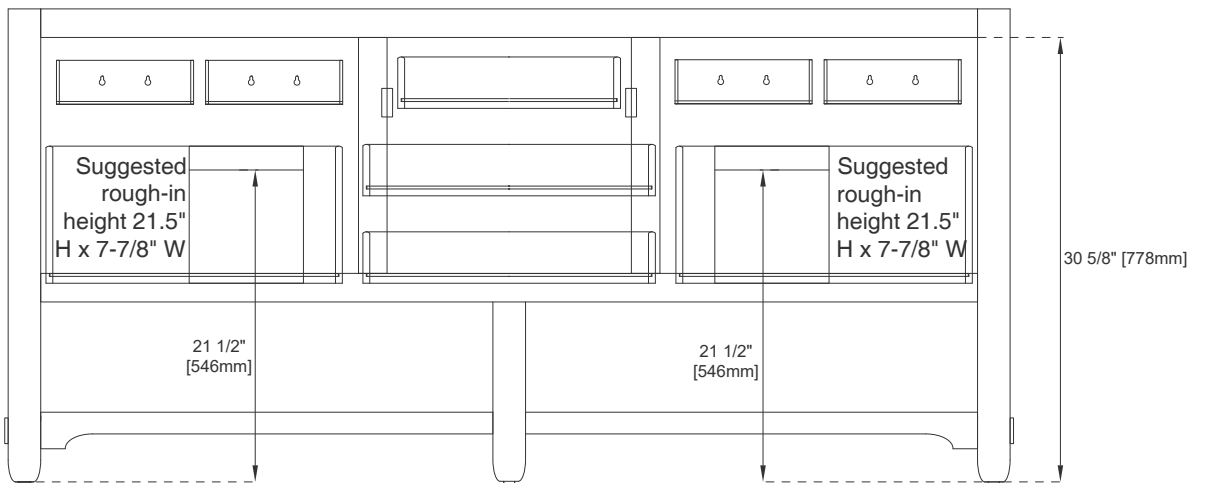
500-V72-HON



Side View 1



Side View 2



Back View

All dimensions are nominal

Diagrams are of cabinet only—James Martin Optional Countertops and sinks are not shown

Visit website for warranty and installation information  
[www.jamesmartinvanities.com](http://www.jamesmartinvanities.com)