

ASSEMBLY INSTRUCTIONS

TAMARACK

BB044-315 HEADBOARD, FOOTBOARD & SLATS

BB044-335 Q/EK SIDE RAILS



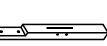

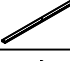
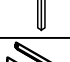
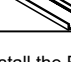
Thank you for purchasing this quality product. Be sure to check all packing materials carefully for small parts, which may have come loose inside the carton during shipment. Identify and count all items and compare with the parts list and/or hardware list shown below.

IMPORTANT NOTE :

Place all wooden parts on a clean and smooth surface such as a rug or carpet to avoid the parts from being scratched. Check to be sure that you have all parts and hardware. Remove all wrapping materials, including staples & packing straps before you start to assemble. Do not tighten all screw/bolts until all completely assembled.

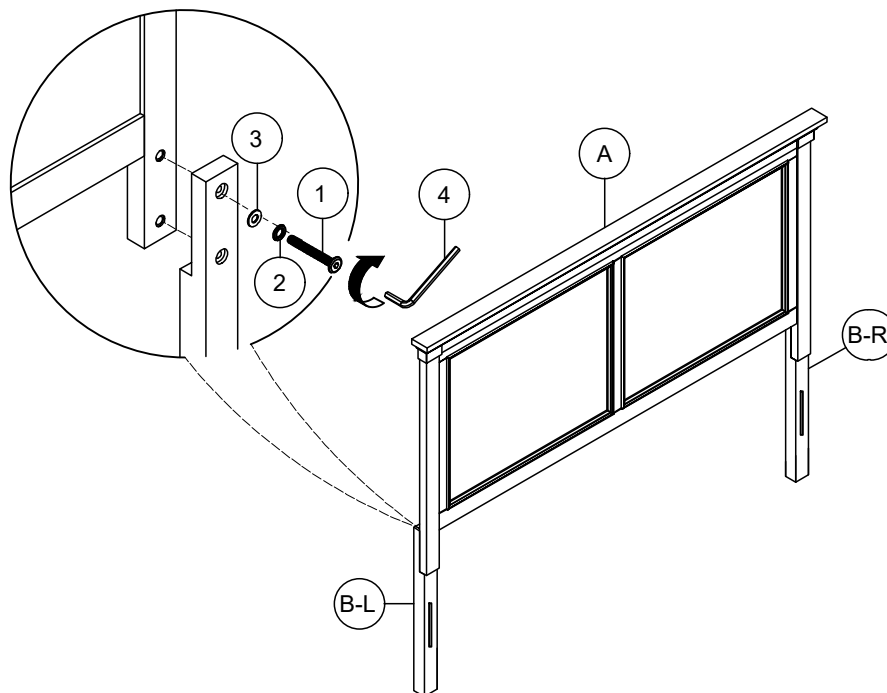
Keep all hardware parts out of reach of children.

DO NOT TIGHTEN BOLTS/SCREWS UNTIL ALL COMPLETELY ASSEMBLED.

PART LIST			
NO.		DESCRIPTION	QTY
A		HEADBOARD	1PC
B-L		LEFT SIDE FACING (LSF) HEADBOARD LEG	1PC
B-R		RIGHT SIDE FACING (RSF) HEADBOARD LEG	1PC
C		FOOTBOARD	1PC
D		SLAT	5PCS
E		SUPPORT-LEG	5PCS
F		RAIL	2PCS

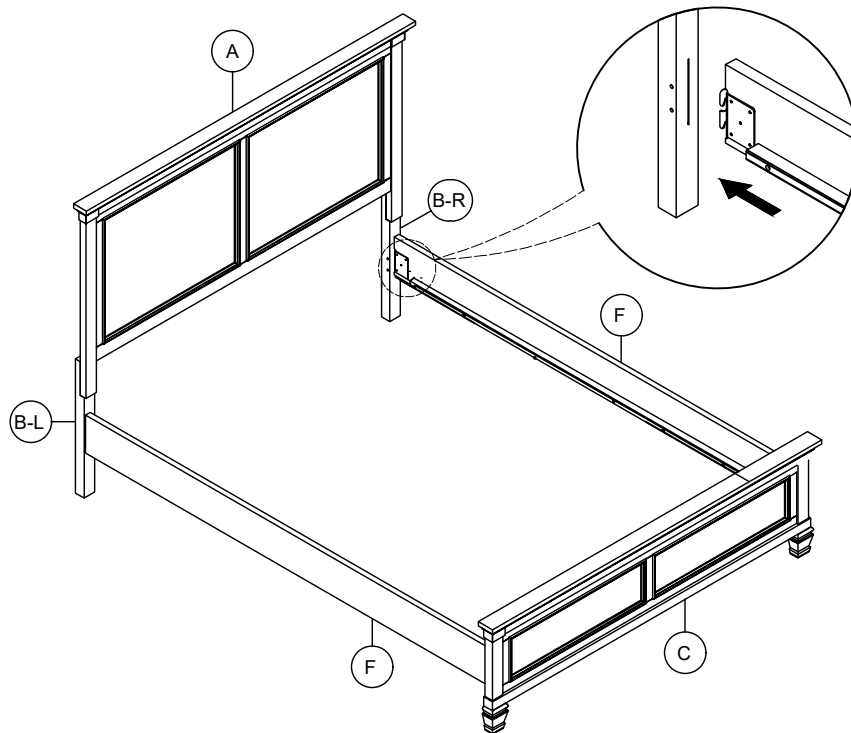
HARDWARE LIST			
NO.		DESCRIPTION	QTY
1		JCBB BOLT M8 x 1 5/8"	4 PCS
2		SPRING WASHER M8	4 PCS
3		FLAT WASHER M8 x 5/8"	4 PCS
4		ALLEN KEY M5	1 PC
5		CSK SCREW M4 x 1 1/4"	10 PCS

STEP 1 Install the RSF Headboard Leg (B-R) and the LSF Headboard Leg (B-L) to the Headboard (A) by using Allen Key (4) with hardware 1,2,and 3.

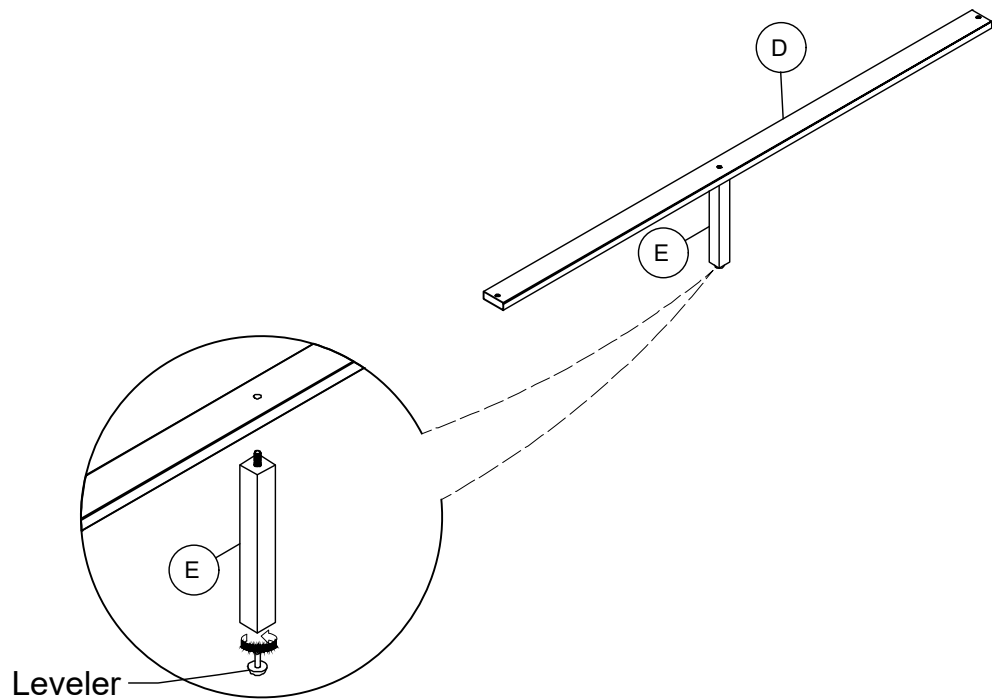


ASSEMBLY INSTRUCTIONS
TAMARACK QUEEN BED

STEP 2 Hook the Rail (F) into LSF and RSF Headboard Legs (B-L & B-R) and the Footboard (C)

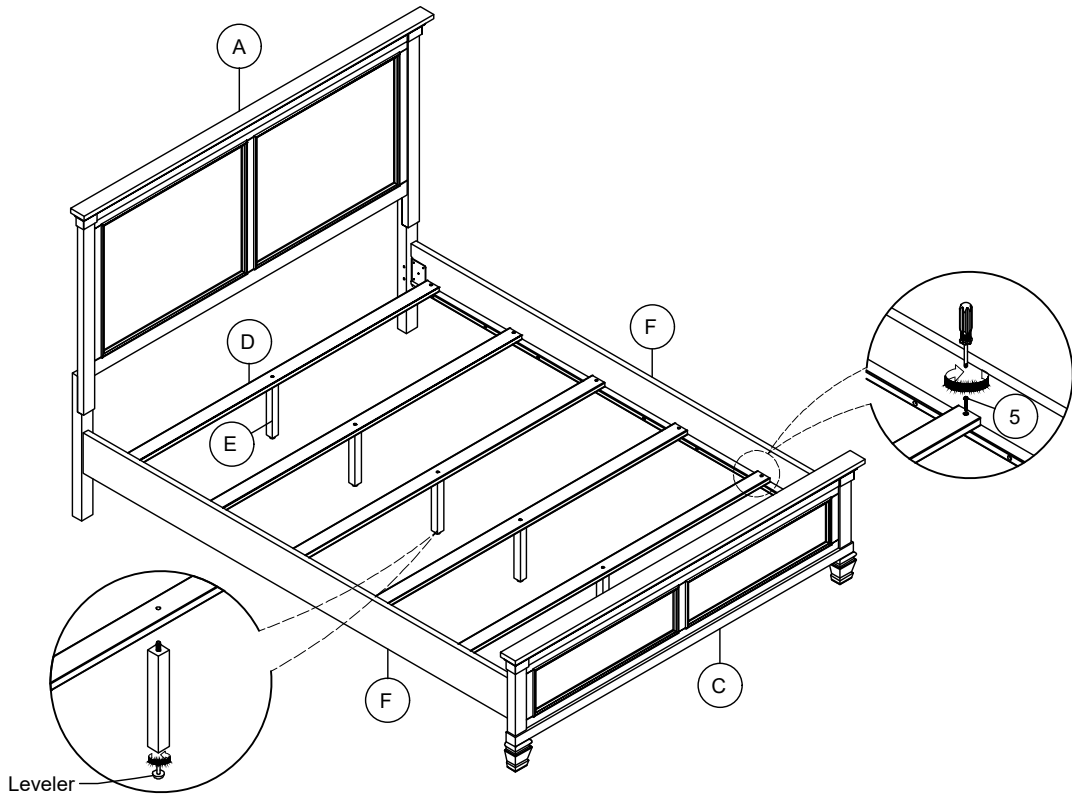


STEP 3 Assembly the Support legs (E) to the Slats (D)



ASSEMBLY INSTRUCTIONS
TAMARACK QUEEN BED

STEP 4 Assemble the Slats (D) to the Rails (F) by using a screwdriver with hardware 5.
Adjust the Lever on Support Legs (E) to level the bed



COMPLETED

