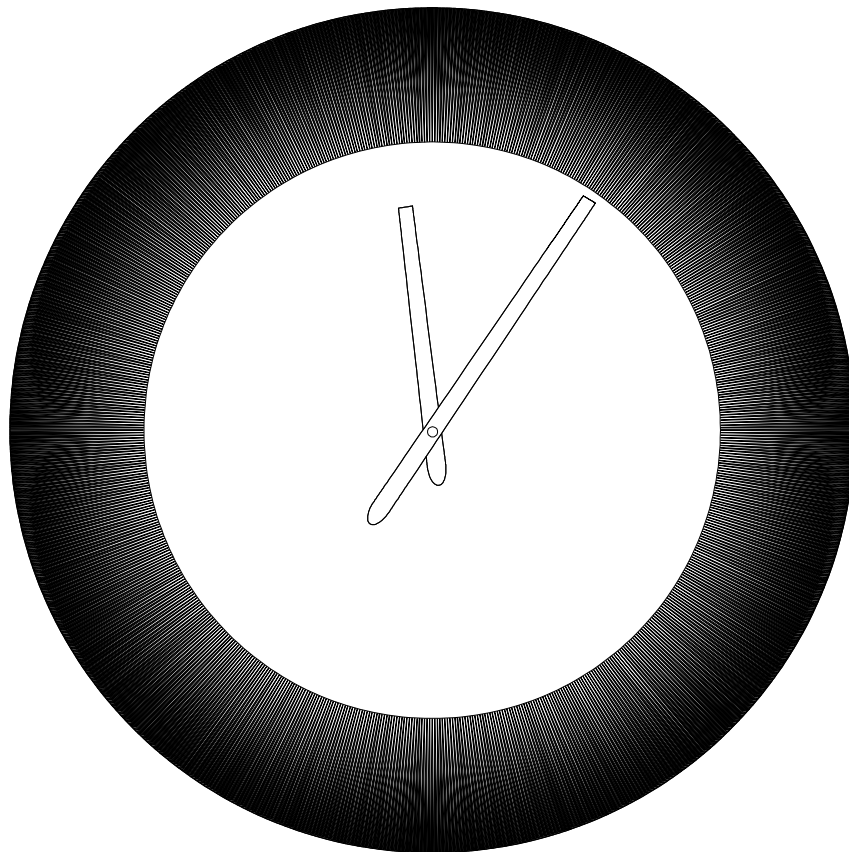




ALL • TOGETHER • BETTER

USE AND CARE GUIDE

SHILOH WALL CLOCK-#47048



Questions, problems, missing parts? Before returning to the store,
call Kenroy Home Customer Service
8 a.m.-6 p.m., EST, Monday-Friday

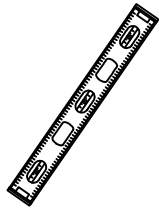
904-642-4340

THANK YOU

We appreciate the trust and confidence you have placed in Kenroy Home through the purchase of this clock.
We strive to continually create quality products designed to enhance your home.
Thank you for choosing us!

You should have received the wall clock in the package.

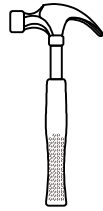
SUGGESTED TOOLS (NOT SUPPLIED)



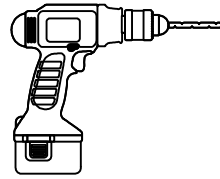
Level



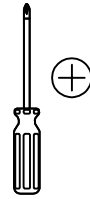
Pencil



Hammer



Drill



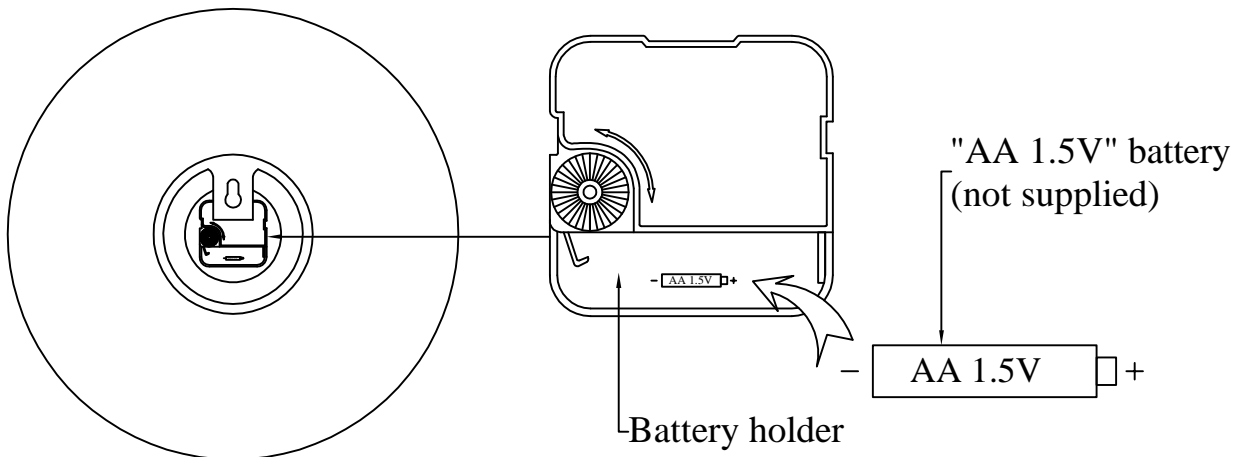
Phillips
Screwdriver



NOTE: This wall clock requires the use of one "AA 1.5V" battery (not supplied).

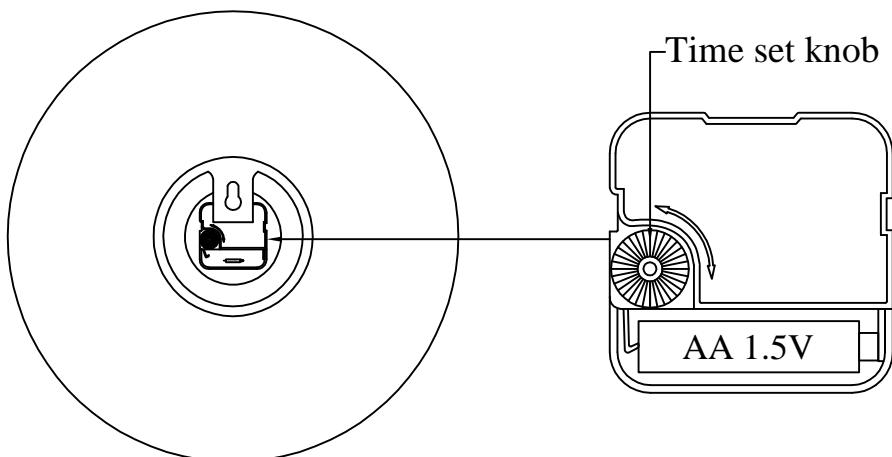
Battery installation

1. Unpack the wall clock and take it out of the box, install one "AA 1.5V" battery (not supplied) into the battery holder on back of the wall clock.



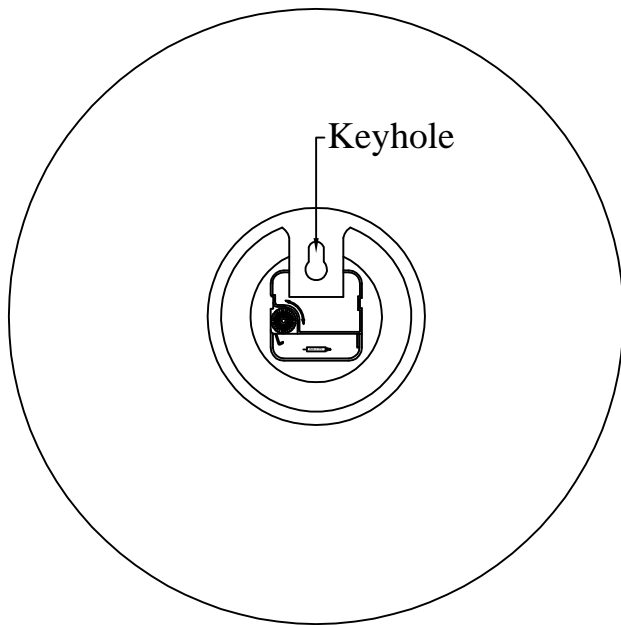
Time setting instructions

1. Set time by turning the time set knob on back of the wall clock.



Hanging instructions

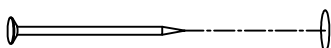
1. Determine the position of wall clock to be hung, mark spot for keyhole on the wall.



NOTE: Hardware not supplied, contact your local hardware professional to choose an attachment mechanism appropriate for your wall.

If installing to stud, please see below:

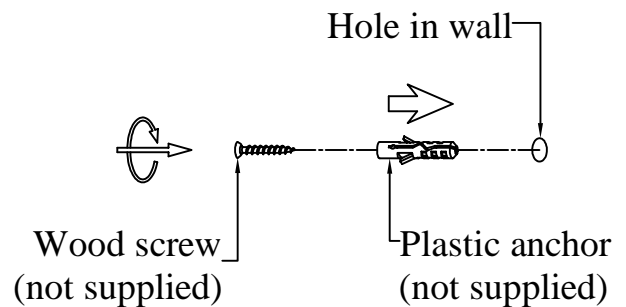
- 2A. Install nail (not supplied) to the marked spot on the stud.



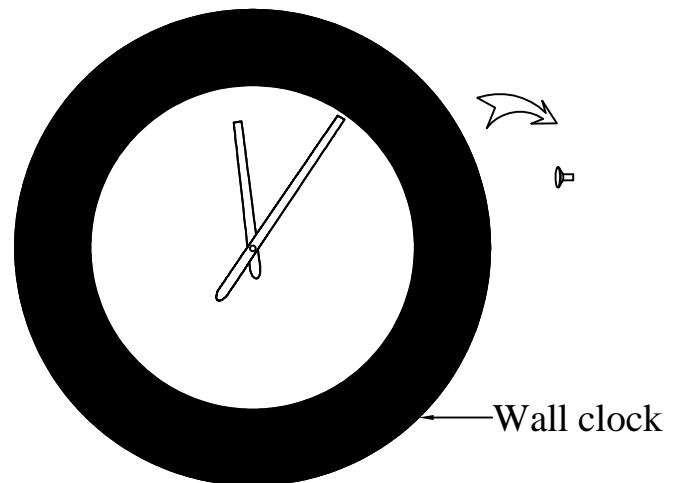
If installing to drywall, please see below:

- 2B. Drill pilot hole on the marked spot and insert plastic anchor (not supplied).

- 2C. Install wood screw (not supplied) to the plastic anchor.



3. Hang wall clock to wall by attaching the keyhole on back of the wall clock to the nail or wood screw.



Care and maintenance

Cleaning

- Clean with a soft, dry cloth.
- Do not use any cleaners with chemicals, solvents, or harsh abrasives.

Storage

- Remove the battery before storing the wall clock.




ALL • TOGETHER • BETTER



www.kenroyhome.com

CUSTOMER SUPPORT TEAM

For any additional questions or concerns please contact our Customer Support Team:

 **904-642-4340**

 **@KenroyHome**

 **customerorders@kenroyhome.com**