










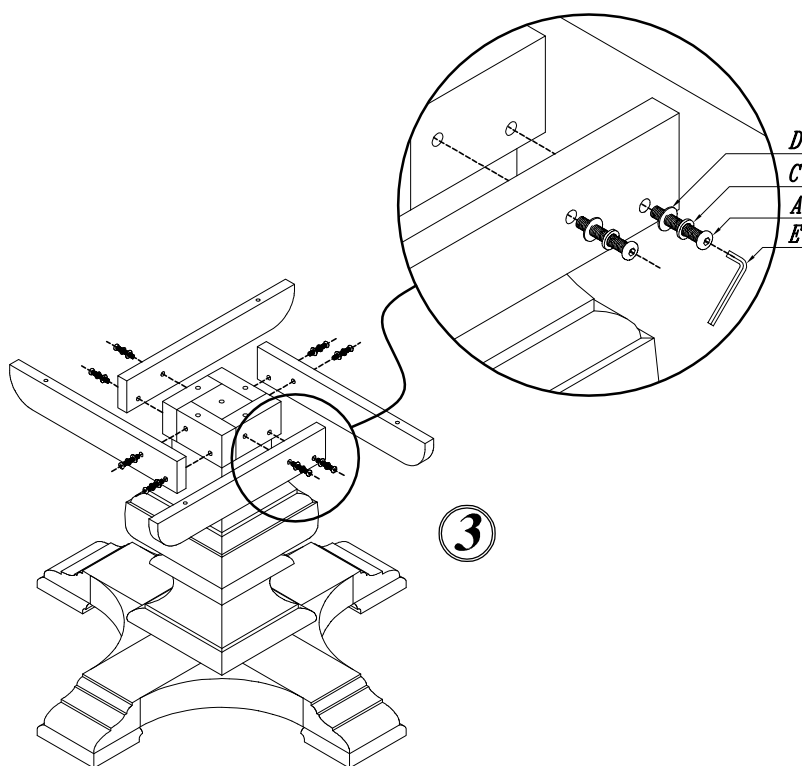
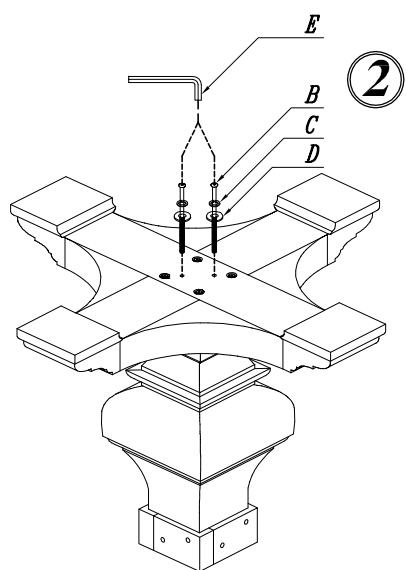
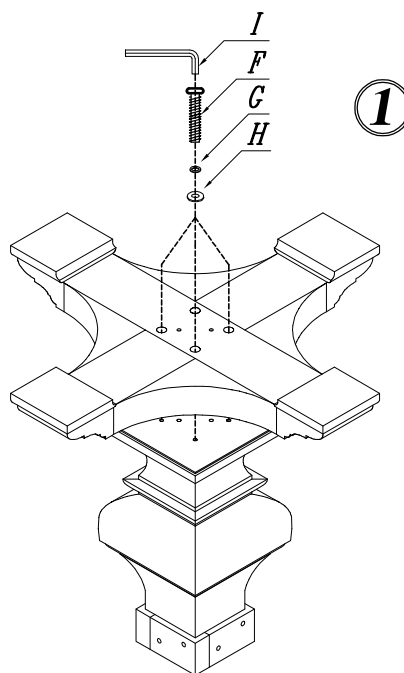
HEKMAN

X A HOWARD MILLER COMPANY

ASSEMBLY INSTRUCTIONS

25221 / 25421 - ROUND DINING TABLE

NO.	Hardware List		Q'ty
A		Bolt 5/16" * 45mm L	12
B		Bolt 5/16" * 150mm L	2
C		Lock Washer 5/16"	14
D		Flat Washer 5/16"	14
E		Wrench L 5	1
F		Bolt m6 * 80mm L	9
G		Lock Washer m6	9
H		Flat Washer m6	9
I		Wrench L 4	1



1. Put column upside down, use Bolt (F) lock washer (G) flat washer (H) to secure the base to the column using Wrench (I)
2. Use Bolt (B) lock washer (C) flat washer (D) and tighten the bolt using wrench (E)
3. Assembly the 4 arms using Bolt (A) lock washer (C) flat washer (D) using wrench (E) to tighten the bolt

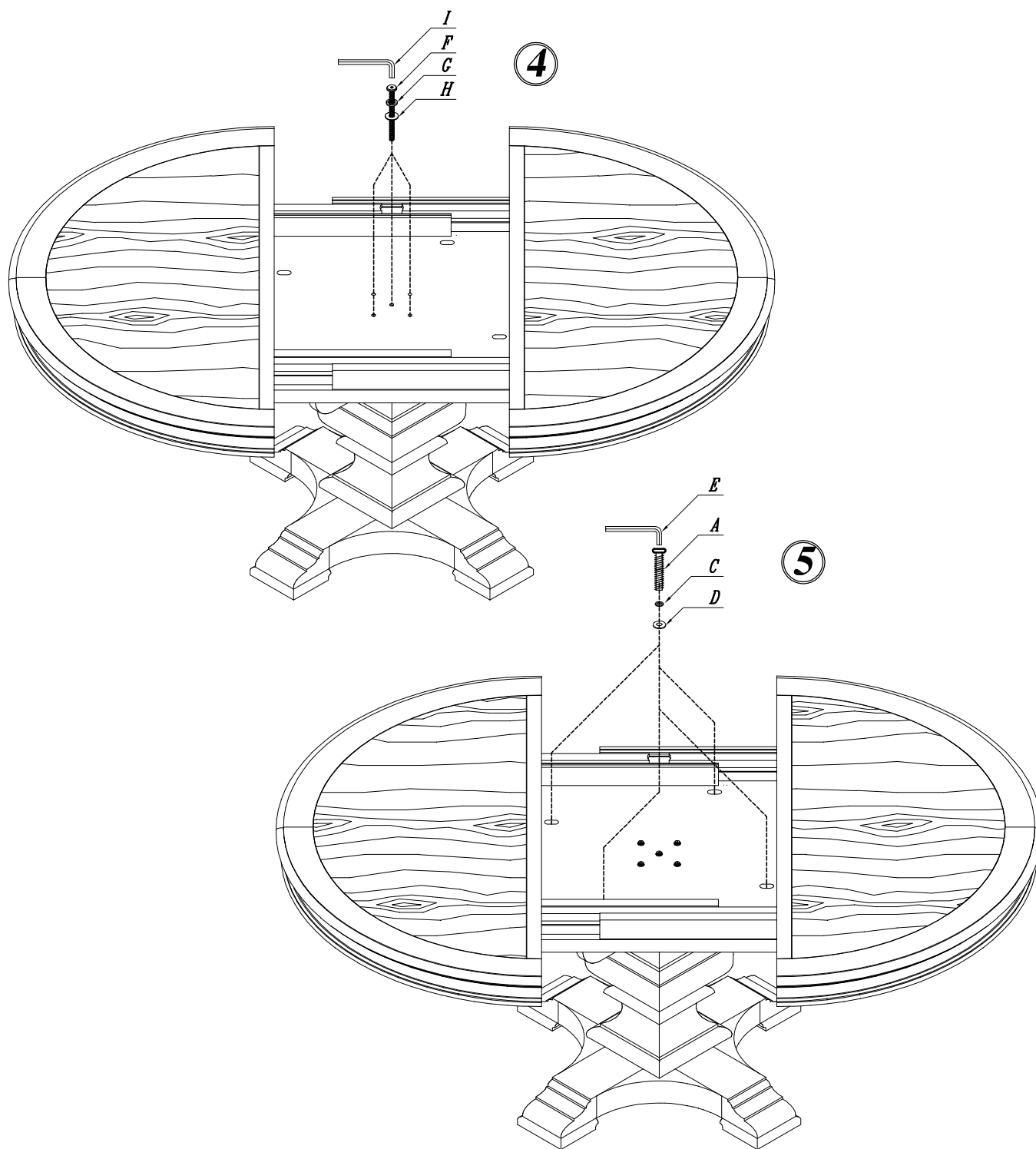
MADE IN INDONESIA

HEKMAN

A HOWARD MILLER COMPANY

ASSEMBLY INSTRUCTIONS

25221 / 25421 - ROUND DINING TABLE



4. Attach the top assembly to the column with Bolt (F) lock washer (G) flat washer (H) and tighten the bolt using wrench (I)
5. Attach the top assembly to the arms with Bolt (A) lock washer (C) flat washer (D) and tighten the bolt using wrench (E) to secure the arm

**NEED 2 PERSON TO OPEN AND CLOSE THIS TABLE*

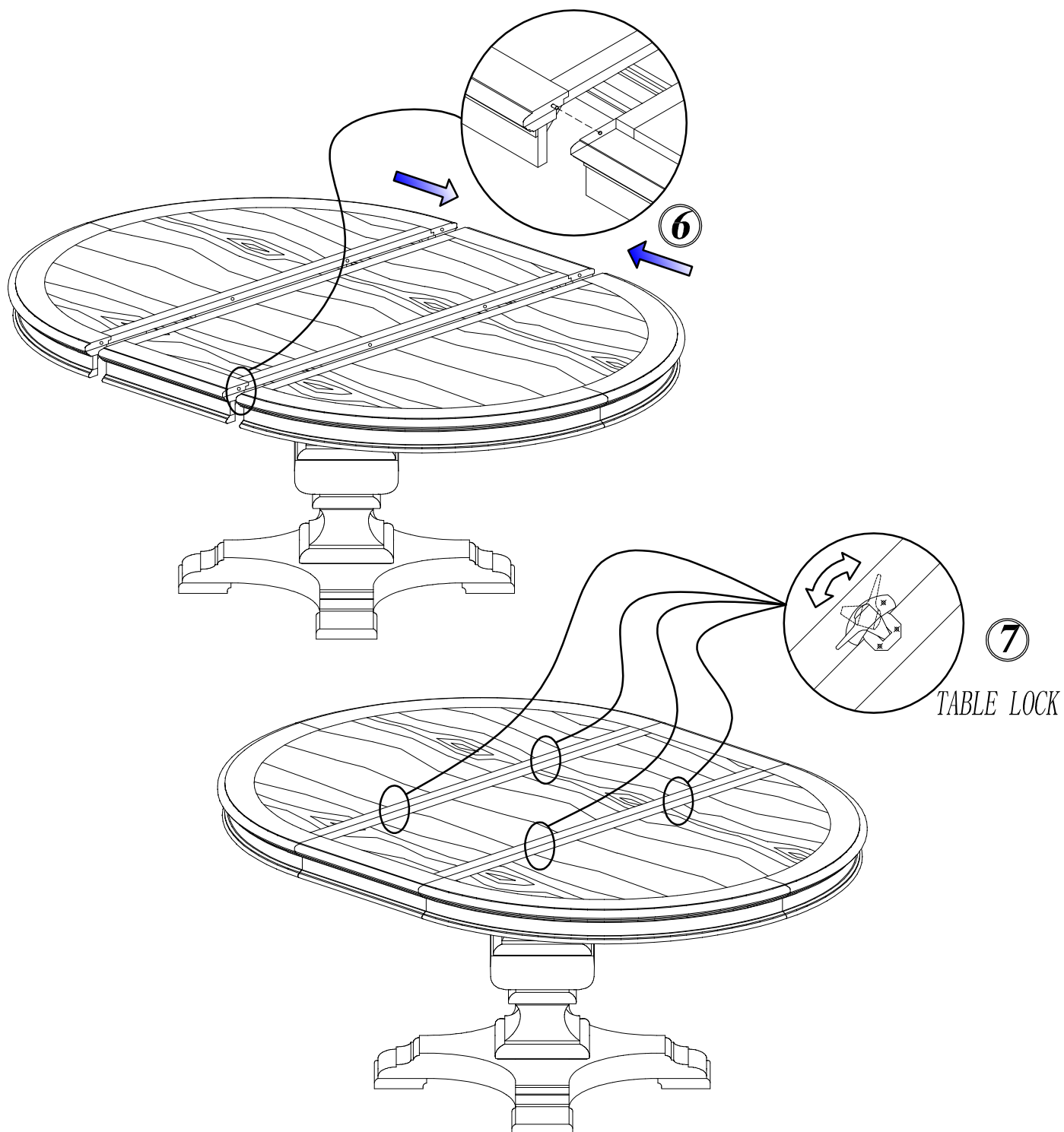
MADE IN INDONESIA

HEKMAN

A HOWARD MILLER COMPANY

ASSEMBLY INSTRUCTIONS

25221 / 25421 - ROUND DINING TABLE



6. *Install extension leaf in the center, align brass pins so they can connect and secure*
7. *Secure the leaf extension using table lock under the table*

**NEED 2 PERSON TO OPEN AND CLOSE THIS TABLE*

MADE IN INDONESIA