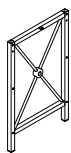


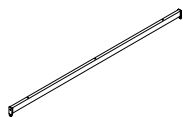
# ASSEMBLY INSTRUCTION

## TV STAND WITH SHELVES

**A** Side Frame      **B** Table Top Support Bar      **C** Shelf Support Bar      **D** Table Top Stretcher



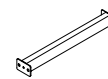
2PCS



2PCS

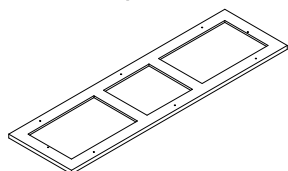


4PCS



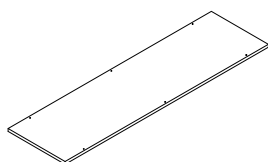
2PCS

**E** Table Top



1PC

**F** Shelf



2PCS

**G** Bolt  
1/4" x 16mm



14PCS

**H** Bolt  
1/4" x 35mm



12PCS

**I** Bolt  
1/4" x 55mm



**J** Bolt  
1/4" x 43mm



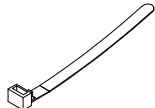
**K** Bolt  
5/16" x 43mm



**L** L-Allen Key  
4mm



**M** Strap  
240 x 7mm  
(Anti-Tipping Kit)



1PC

**N** Plastic Bracket  
43 x 20mm  
(Anti-Tipping Kit)



2PCS

**O** Wall Anchor  
M4  
(Anti-Tipping Kit)



2PCS

**P** Screw  
M4 x 30mm  
(Anti-Tipping Kit)

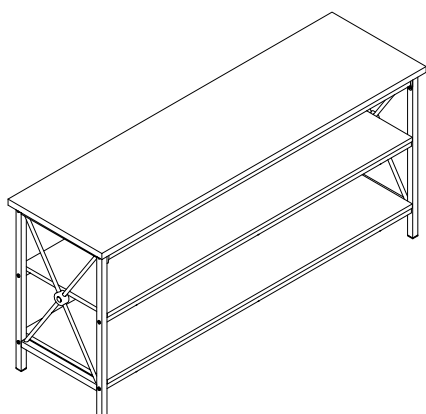


2PCS

**Q** Screw  
M4 x 15mm  
(Anti-Tipping Kit)



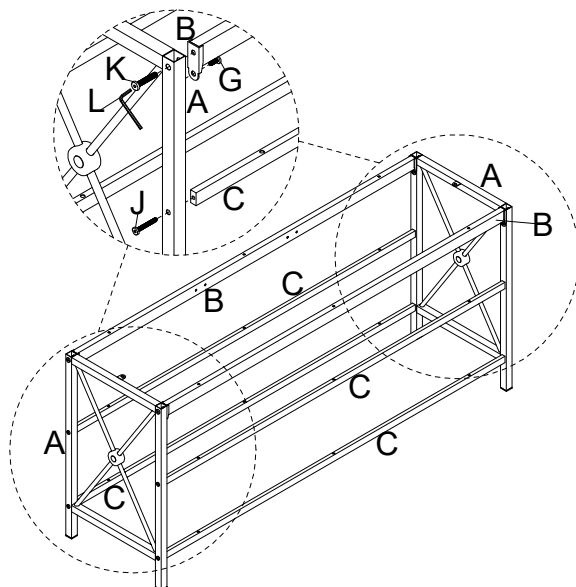
2PCS



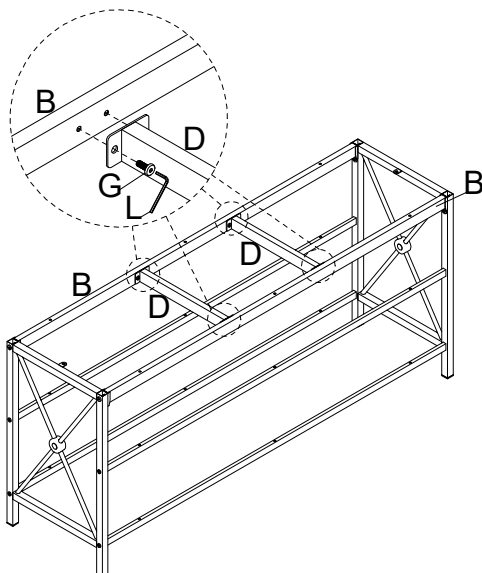
This page lists all the contents included in the box. Please take the time to identify the hardware as well as the individual components to this product. As you unpack and prepare for assembly, place the contents on a carpeted or padded area to protect them from damage.

**1**

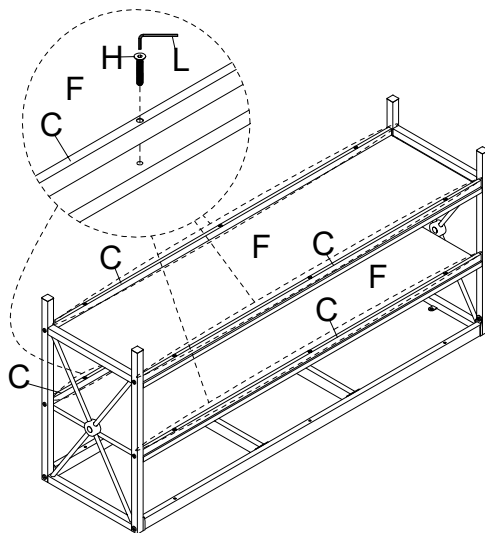
Attach the Side Frame (A) to Table Top Support Bar (B) and Shelf Support Bar (C), insert the Bolt (K), Bolt (G) and Bolt (J), turn the L-Allen Key (L) to tighten them.

**2**

Attach the Table Top Stretcher (D) to Table Top Support Bar (B), insert the Bolt (G), turn the L-Allen Key (L) to tighten them.

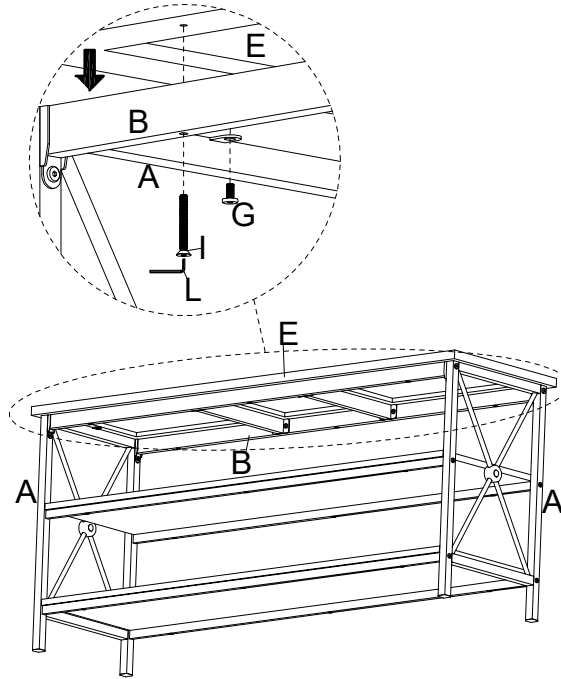
**3**

Turn the assembled frame over as shown. Attach the Shelf (F) to Shelf Support Bar (C), insert the Bolt (H), turn the L-Allen Key (L) to tighten them.

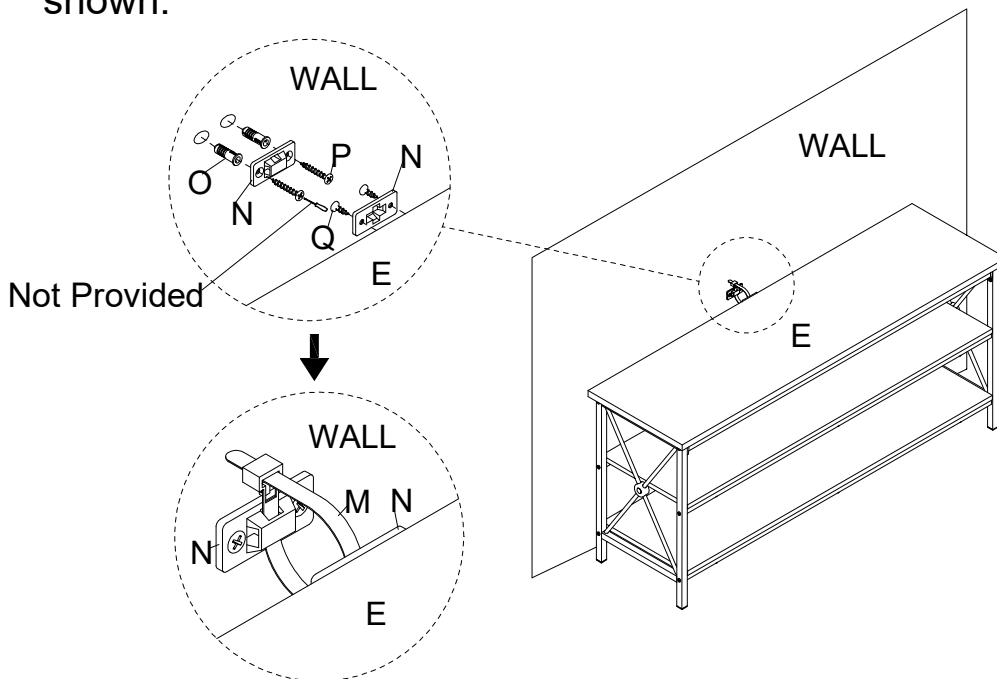


**4**

Turn the assembled frame over as shown. Attach the Table Top (E) to Side Frame (A) and Table Top Support Bar (B), insert the Bolt (G) and Bolt (I), turn the L-Allen Key (L) to tighten them.

**5**

Drill two holes in the wall and insert the Wall Anchor (O) into the holes. Attach the Plastic Bracket (N) to the back of the Table Top (E) using the Screw (Q) and a Phillips Screwdriver (not provided). Then attach the other Plastic Bracket (N) to the Wall Anchor (O) and the wall using Screw (P) and a Phillips Screwdriver (not provided). Move the TV stand to its final position. Thread the Strap (M) through each Plastic Bracket (N) and pull the Strap (M) tight as shown.



### Cleaning & Care

Treat surfaces with care. Surfaces are resistant to scratches but are not scratch resistant. Clean surfaces with a dry or damp soft cloth. Do not use abrasive cleaners. Hardware may loosen over time. Periodically check that all connections are tight.