

Features

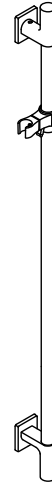
- Adjustable mounting brackets offer installation flexibility
- Adjustable angle of handshower
- Metal construction
- Coordinates with Awaken showerheads, handshowers and showering accessories

Material

- KOHLER finishes resist corrosion and tarnishing

Installation

- Wall-mount



ADA

CSA B651

Codes/Standards

ASME A112.18.1/CSA B125.1

ADA





CSA B651

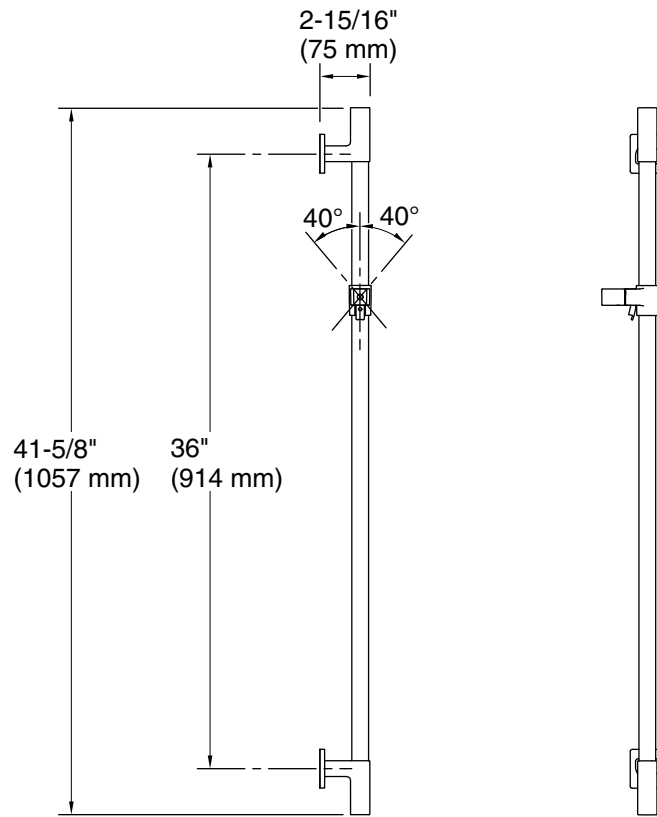
KOHLER® Faucet Lifetime Limited Warranty

See website for detailed warranty information.

Available Colors/Finishes

Color tiles intended for reference only.

Color	Code	Description
	CP	Polished Chrome
	BN	Vibrant® Brushed Nickel
	BL	Matte Black
	2MB	Vibrant® Brushed Moderne Brass



Technical Information

All product dimensions are nominal.

Spout:

Notes

Install this product according to the installation instructions.

ADA, CSA B651 compliant when installed to the specific requirements of these regulations.