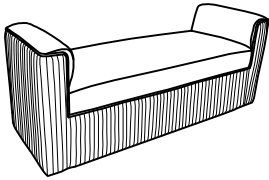


ASSEMBLY INSTRUCTION

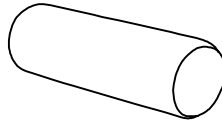
BENCH WITH ROLL PILLOWS

A Bench Body



1pc

B Pillow



2pcs

C Leg



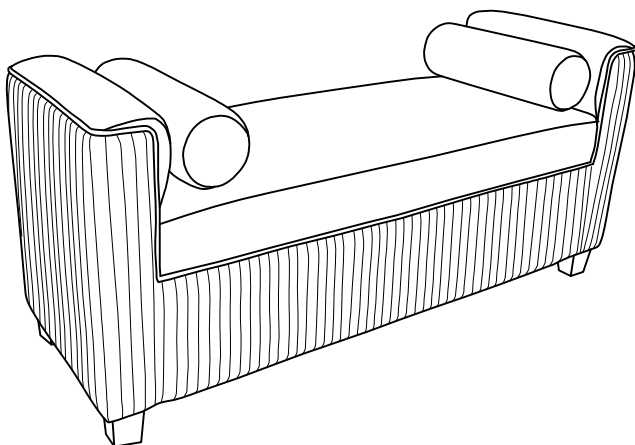
4pcs

D Flat Washer

Ø5/16*19mm

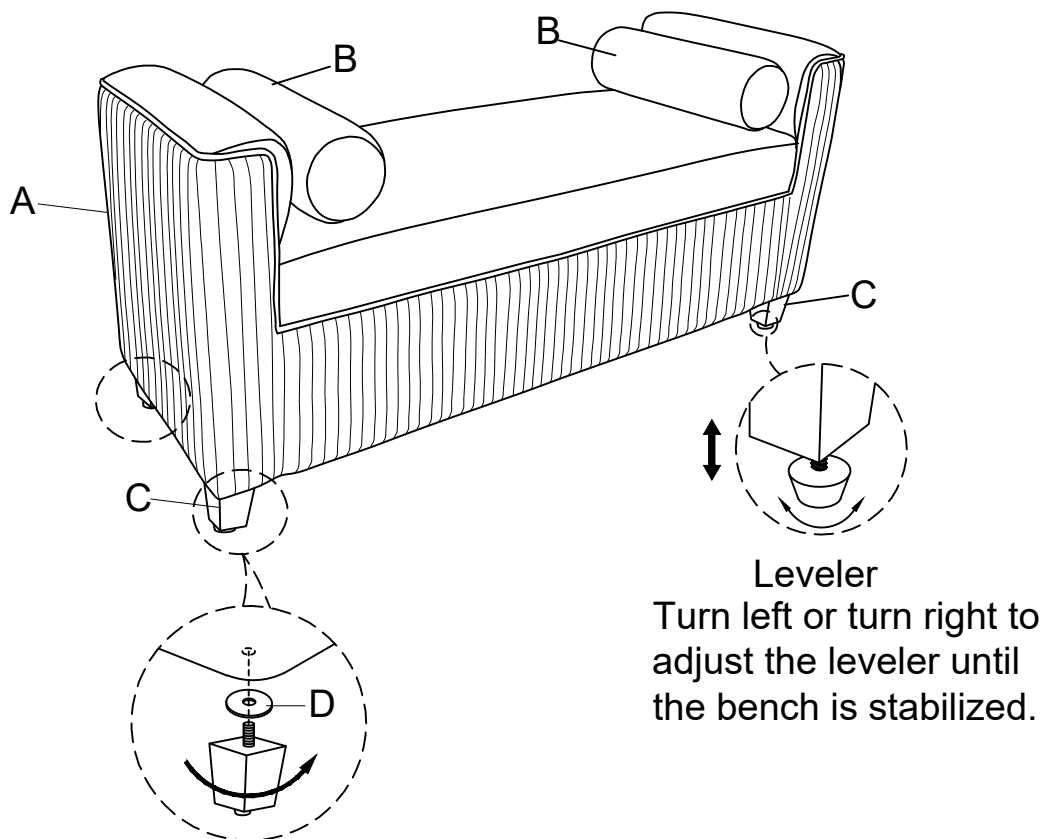


4pcs



This page lists all the contents included in the box. Please take the time to identify the hardware as well as the individual components to this product. As you unpack and prepare for assembly, place the contents on a carpeted or padded area to protect them from damage.

- 1 Rotate the Leg (C) with Flat Washer (D) to the holes of Bench Body (A) as below shown. Put Pillow (B) on Bench Body (A).



Cleaning & Care

Treat surface with care. Surface is resistant to scratches but is not scratch resistant. Clean surfaces with a dry or damp soft cloth. Do not use abrasive cleaners. Hardware may loosen over time. Periodically check that all connections are tight.