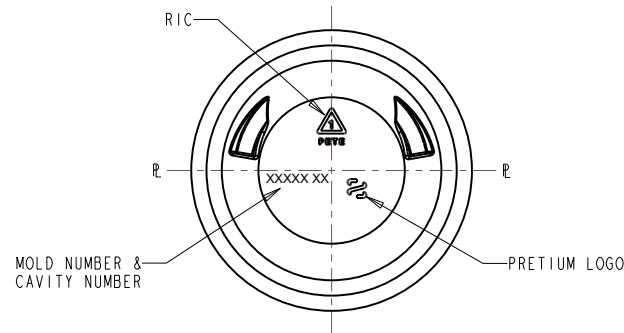
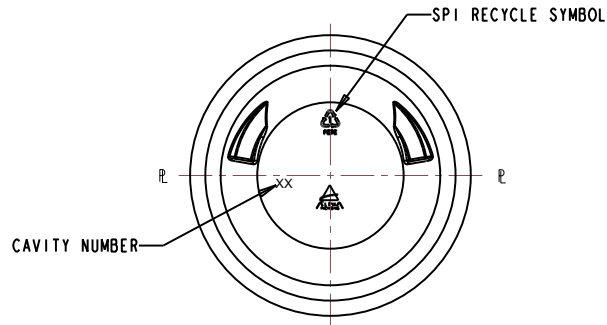
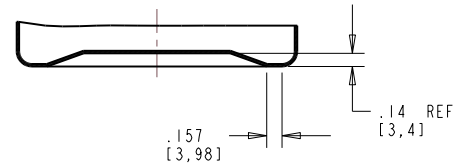


NECK DETAIL

SCALE: 2:1

FINISH SPECIFICATIONS:

1. FINISH: L70-400
3. NO. OF TURNS: 1 FULL TURN
3. THREADS PER INCH: 6
4. THREAD START: 90° FROM P.L. (AS SHOWN)



ALTERNATE BASE

NOTES:

1. CRITICAL DIMENSIONS ARE SHOWN WITH TOLERANCES. CRITICAL DIMENSION TO BE USED FOR QC PURPOSES.
2. ALL OTHER DIMENSIONS TO BE USED FOR REFERENCE ONLY.

2	23.8 ± 2.0	284.0 ± 7.0	.010	
1	21.5 ± 2.0	286.0 ± 7.0	.009	
No	WEIGHT (g)	OVERFLOW (cc)	MIN. WALL (in)	NOTES

DISCLAIMER

This specification does not relieve the customer of their ultimate responsibility for the determination of the appropriate container. It is the customer's responsibility to select the appropriate packaging based upon all information at their disposal including the specific application, regulatory compliance, product compatibility and shipping requirements. WE HEREBY DISCLAIM AND EXCLUDE ANY EXPRESS OR IMPLIED WARRANTIES, INCLUDING WITHOUT LIMITATION THE IMPLIED WARRANTIES OF MERCHANTABILITY AND FITNESS FOR A PARTICULAR PURPOSE.

DISTRIBUTED BY:

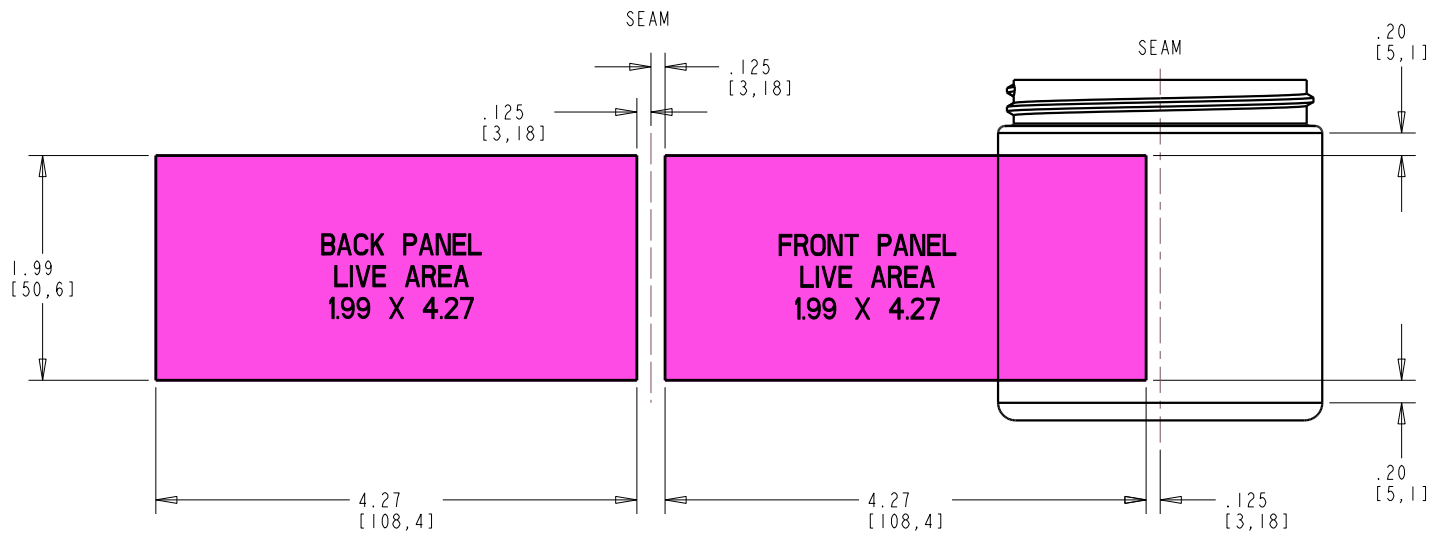
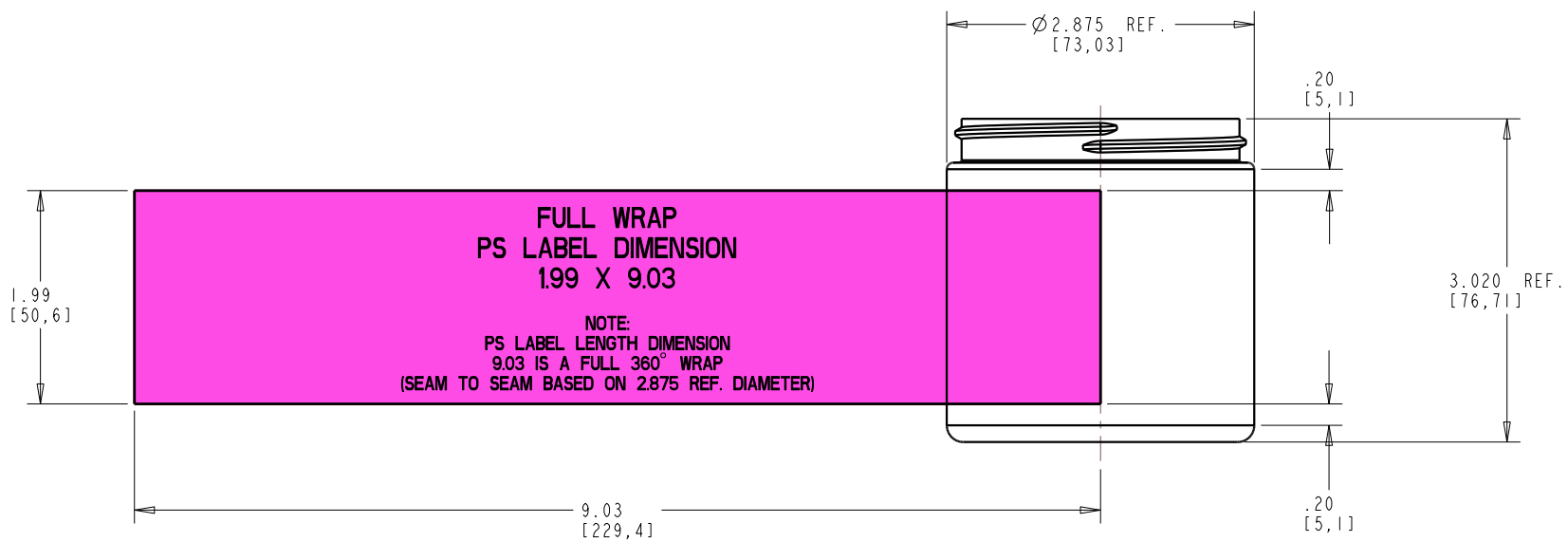


REF NO.:

DWG-Q1665

DESCRIPTION:

8 oz Clear PET Plastic Wide Mouth Jar, 70mm 70-400, 21.5 Gram



DISCLAIMER

This specification does not relieve the customer of their ultimate responsibility for the determination of the appropriate container. It is the customer's responsibility to select the appropriate packaging based upon all information at their disposal including the specific application, regulatory compliance, product compatibility and shipping requirements. WE HEREBY DISCLAIM AND EXCLUDE ANY EXPRESS OR IMPLIED WARRANTIES, INCLUDING WITHOUT LIMITATION THE IMPLIED WARRANTIES OF MERCHANTABILITY AND FITNESS FOR A PARTICULAR PURPOSE.

DISTRIBUTED BY: 

REF NO.:
DWG-Q1665

DESCRIPTION:
8 oz Clear PET Plastic Wide Mouth Jar, 70mm 70-400,
21.5 Gram