

### Features

- 33" (838 mm) minimum base cabinet width
- Single bowl
- 9" (229 mm) depth provides generous workspace
- Bowl slopes toward drain to minimize water pooling
- Offset drain increases workspace in the sink and storage space underneath
- Includes K-6239 colander with integral cutting board and K-6237 left-hand bottom sink rack
- Three faucet holes and one accessory hole to the right

### Material

- KOHLER® enameled cast iron

### Installation

- Top-mount

### Recommended Products/Accessories

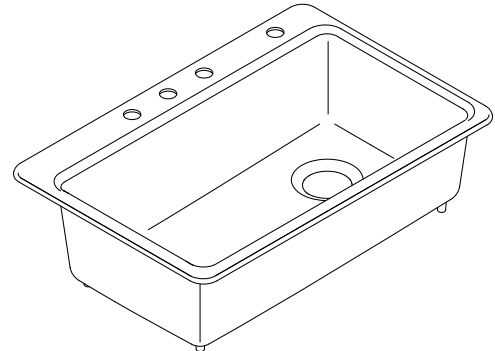
- K-6237 Left-Bowl Sink Rack
- K-6255 Right-Bowl Sink Rack
- K-8801 Sink drain and strainer with tailpiece
- K-8799 Sink drain and strainer basket
- K-23726 Drain treatment
- K-23725 Cast iron cleaner

### Optional Products/Accessories

- K-6194 Utility Rack With Soaking Cup
- K-6246 Maple hardwood cutting board
- K-11352 Disposal Flange with Stopper
- K-9000 P-Trap

### Included Components

- K-6237 Left-Bowl Sink Rack
- K-6239 Colander with Cutting Board



### Codes/Standards

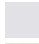
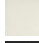

ASME A112.19.1/CSA B45.2

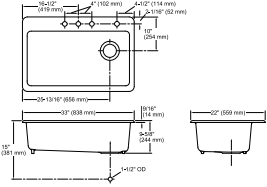
### KOHLER® Enameled Cast Iron Kitchen and Bathroom Sink Lifetime Limited Warranty

See website for detailed warranty information.

### Available Colors/Finishes

*Color tiles intended for reference only.*

Color	Code	Description
	0	White
	96	Biscuit
	7	Black Black™



### Technical Information

All product dimensions are nominal.

Basin configuration:	Single Bowl
Center(s):	8" (203 mm)
Min. base cabinet width:	33" (838 mm)
Bowl area (Only):	Length: 30-1/4" (768 mm) Width: 15-13/16" (402 mm) Bowl depth: 9" (229 mm) Water depth: 9" (229 mm)
Number of deck holes:	4
Faucet hole(s):	1-3/8" (35 mm)
Drain hole:	3-7/8" (98 mm)
Template:	1166727-7, required, included

### Notes

Install this product according to the installation instructions.

NOTICE: Countertop manufacturer or cutter must use the cut-out template provided with the product, or a current one provided by Kohler Co. (call 1-800-4-KOHLER). Kohler Co. is not responsible for cutout errors when the incorrect cut-out template is used.