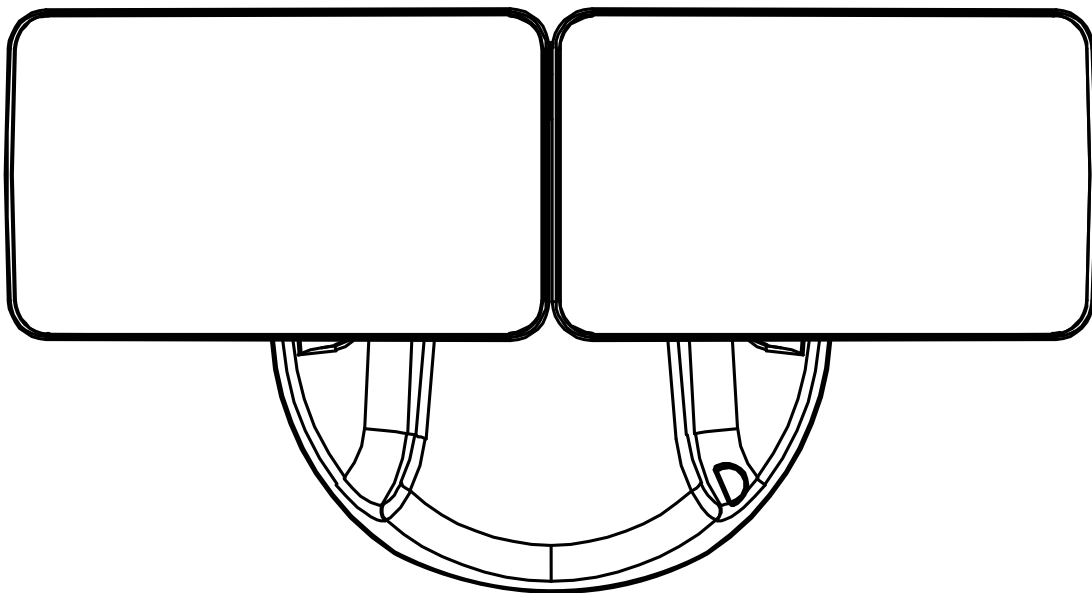


LED DUAL LENS SECURITY FLOOD LIGHT

IMPORTANT SAFETY INSTRUCTIONS AND INSTALLATION GUIDE



READ BEFORE INSTALLATION
SAVE THESE INSTRUCTIONS



Table of Contents

Safety Information	2
FCC Statement	2
Care and Maintenance	2
Limited Warranty	2
Pre-Assembly	3
Troubleshooting	3
External J-Box Installation	4
Flush J-Box Installation	5

Safety Information

For your safety:

- This product must be installed in accordance with any applicable installation code(s) by a qualified electrician or person familiar with the construction and operation of the product and the hazards involved.
- Do not make or alter any open holes in an enclosure of wiring or electrical components during product installation.
- THIS DEVICE IS NOT INTENDED FOR USE WITH EMERGENCY EXITS.

Product Specifications:

- 120 VAC, 60Hz, 28 Watts
- Not for use with dimmers
- Suitable for wet locations



CAUTION: WARNING: Risk of fire. Before installing your lighting fixture, thoroughly review enclosed installation manual. If you do not have sufficient electrical wiring experience, please refer to a do-it-yourself wiring handbook or have your fixture installed by a qualified licensed electrician. All electrical connections must be in accordance with Local and National Electrical Code (NEC) Standards. Reliable operating temperature is -13°F to 113°F (-25°C to 45°C). For more information visit www.feit.com.

RISK OF INJURY: Wear gloves and safety glasses when installing, servicing or performing maintenance. Avoid direct eye exposure with the LED while it is on. May cause irreversible damage to the eyes when looking directly into the LED.

FCC STATEMENT

Supplier's Declaration of Conformity:
47 CFR § 2.1077 Compliance Information
Responsible Party: Feit Electric Company
4901 Gregg Road, Pico Rivera, CA 90660, USA
www.feit.com
Unique Identifier: S9DFL/850/BZ/V1 (L)
S9DFL/850/WH (L)

This device complies with part 15 of the FCC Rules. Operation is subject to the following two conditions: (1) This device may not cause harmful interference, and (2) this device must accept any interference received, including interference that may cause undesired operation. Note: This equipment has been tested and found to comply with the limits for a Class B digital device, pursuant to part 15 of the FCC Rules. These limits are designed to provide reasonable protection against harmful interference in a residential installation. This equipment generates, uses and can radiate radio frequency energy and, if not installed and used in accordance with the instructions, may cause harmful interference to radio communications. However, there is no guarantee that interference will not occur in a particular installation. If this equipment does cause harmful interference to radio or television reception, which can be determined by turning the equipment off and on, the user is encouraged to try to correct the interference by one or more of the following measures: Reorient or relocate the receiving antenna. Increase the separation between the equipment and receiver. Connect the equipment into an outlet on a circuit different from that to which the receiver is connected. Consult the dealer or an experienced radio/TV technician for help. Any changes or modifications not expressly approved by the manufacturer could void the user's authority to operate the equipment.

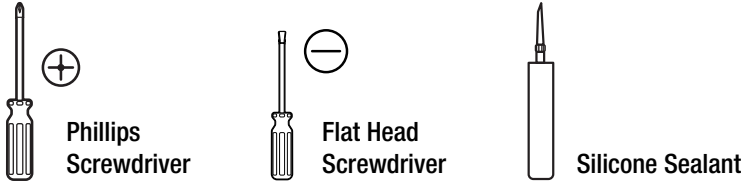
Care and Maintenance

Periodically clean the fixture and diffuser using a mild, non-abrasive cleaner and soft cloth. When cleaning the fixture, make sure the power is turned off. Do not spray cleaner directly onto any part of the fixture or LEDs.

Limited Warranty

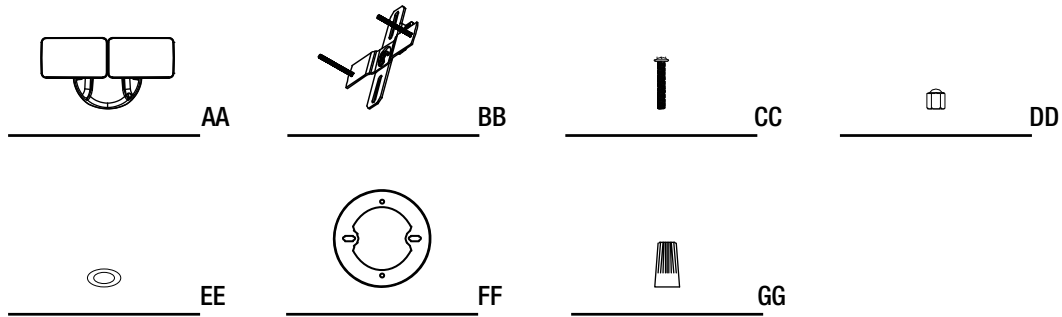
This product is warranted to be free from defects in workmanship and materials for up to 3 years from date of purchase. If the product fails within the warranty period, please contact Feit Electric at info@feit.com, visit feit.com/contact-us for instructions on replacement or refund. REPLACEMENT OR REFUND IS YOUR SOLE REMEDY. EXCEPT TO THE EXTENT PROHIBITED BY APPLICABLE LAW, ANY IMPLIED WARRANTIES ARE LIMITED IN DURATION TO THE DURATION OF THIS WARRANTY. LIABILITY FOR INCIDENTAL OR CONSEQUENTIAL DAMAGES IS HEREBY EXPRESSLY EXCLUDED. Some states and provinces do not allow the exclusion of incidental or consequential damages, so the above limitation or exclusion may not apply to you. This warranty gives you specific legal rights, and you may also have other rights which vary from state to state or province to province.

TOOLS REQUIRED (NOT INCLUDED)



 **NOTE:** Hardware not shown to actual size.

HARDWARE INCLUDED



Part	Description	Quantity
AA	Dual-Head Security Flood Light	1
BB	Mounting Cross Bar	1
CC	J-Box Screws 8-32 x 1"	2
DD	Decorative Nuts	2
EE	Rubber Washers	2
FF	Round Plate	1
GG	Wire Nut Connectors	2

Troubleshooting

PROBLEM	POSSIBLE CAUSE	CORRECTIVE ACTION
Light does not come on.	No power is being delivered to the fixture. Wiring inside electrical box came loose.	Check that the circuit breaker and/or wall switch power is on. Turn the power to the fixture off and reconnect any loose wiring.

External J-Box Installation

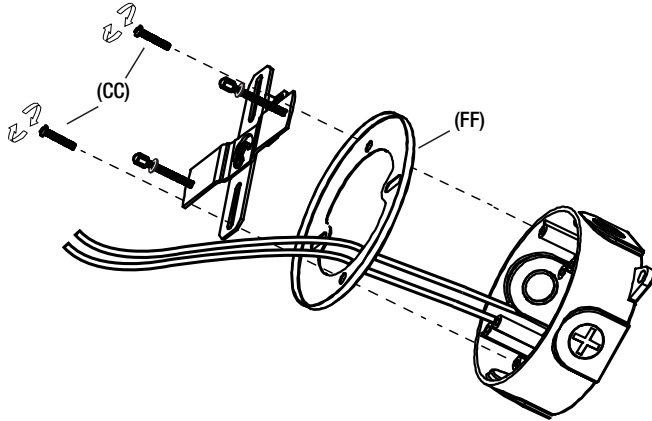
1 Turning Off the Power

Turn the main power off at circuit breaker or fuse box.

2 Installing the Round Plate and Cross Bar

Pull the power supply wires from the J-box through, the round plate (FF) and install the crossbar by securing all with J-box screws (CC).

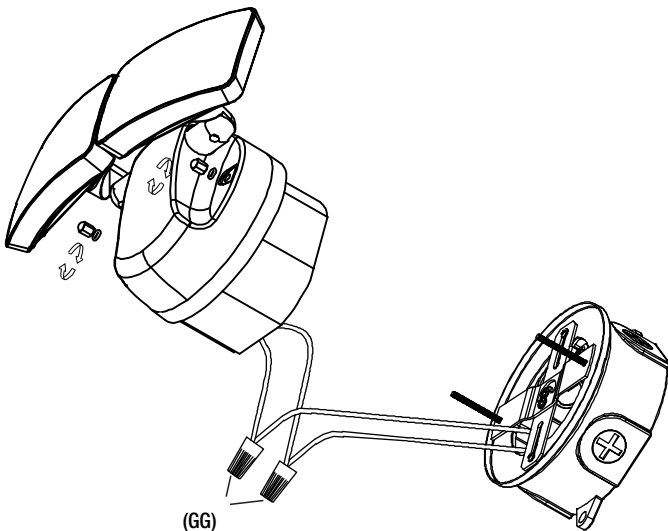
Adjust the crossbar horizontally and tighten the center swivel screws.



NOTE: Fixture should be installed between 6.5 ft./1.98m and 9 ft./2.74m above the ground.

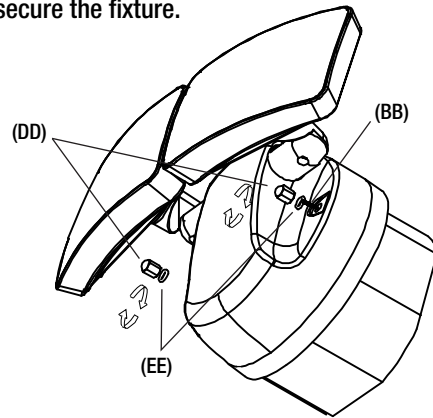
3 Connecting the Power Supply Wires

Using the wire nuts (GG) provided connect the white (neutral) fixture wire to the white J-Box wire. Connect the black (live) wire to the black J-box wire. Secure the ground bare or green wire from the J-Box to the crossbar by using the green screw.



4 Positioning and Aligning the Mounting Holes

Remove both decorative nuts (DD) and rubber washers (EE). Position and align the mounting holes on the fixture body onto the crossbar screws (BB). Insert the rubber washers (EE) into the crossbar screws (BB). Tighten the decorative nuts (DD) to secure the fixture.



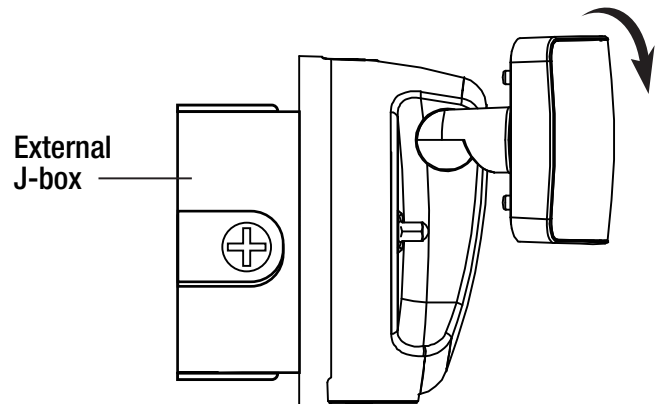
5 Apply a Silicone Sealant

Once the fixture is tightly secured to the J-box, apply a silicone sealant around the base of the fixture to prevent moisture from penetrating the fixture and reaching the connections.

6 Adjusting the LED Lamp Heads

Adjust each LED lamp head in a downward direction. Swivel the 2 LED lamps together or individually, right or left, to set lamp heads in a desired direction.

To customize light coverage, point each individual lamp head to the specific area that you would like to cover.



7 Turning the Power On

Turn the power on at circuit breaker or fuse box.

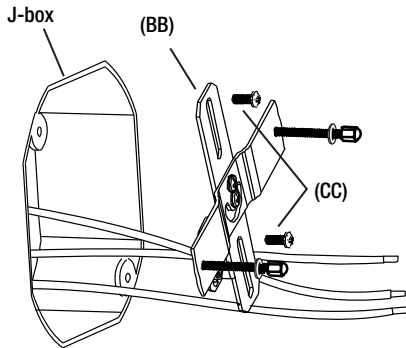
Flush J-Box Installation

1 Turning Off the Power

Turn the main power off at circuit breaker or fuse box.

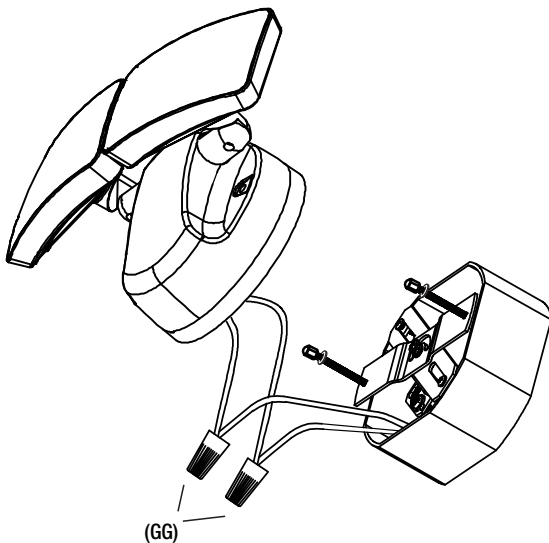
2 Installing the Mounting Crossbar

Install the mounting crossbar (BB) to a J-box using the J-box screws (CC).



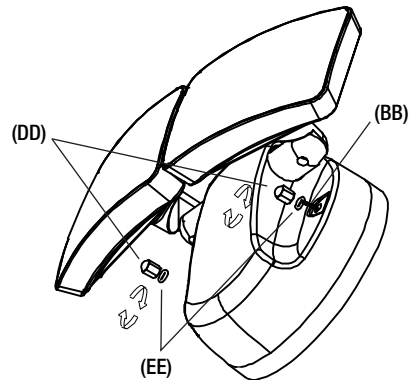
3 Connecting the Power Supply Wires

Using the wire nuts (GG) provided connect the white (neutral) fixture wire to the white J-Box wire. Connect the black (live) wire to the black J-box wire. Secure the ground bare or green wire from the J-Box to the crossbar by using the green screw.



4 Positioning and Aligning the Mounting Holes

Remove both decorative nuts (DD) and rubber washers (EE). Position and align the mounting holes on the fixture body onto the crossbar screws (BB). Insert the rubber washers (EE) into the crossbar screws (BB). Tighten the decorative nuts (DD) to secure the fixture.



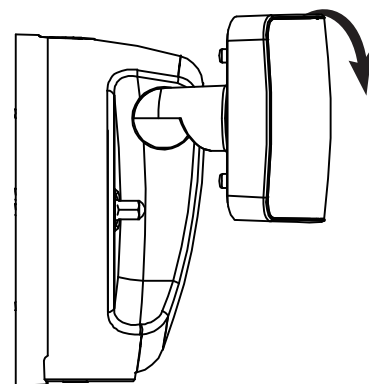
5 Apply a Silicone Sealant

Once the fixture is tightly secured to the J-box, apply a silicone sealant around the base of the fixture to prevent moisture from penetrating the fixture and reaching the connections.

6 Adjusting the LED Lamp Heads

Adjust each LED lamp head in a downward direction. Swivel the 2 LED lamps together or individually, right or left, to set lamp heads in a desired direction.

To customize light coverage, point each individual lamp head to the specific area that you would like to cover.



7 Turning the Power On

Turn the power on at circuit breaker or fuse box.