





HEKMAN

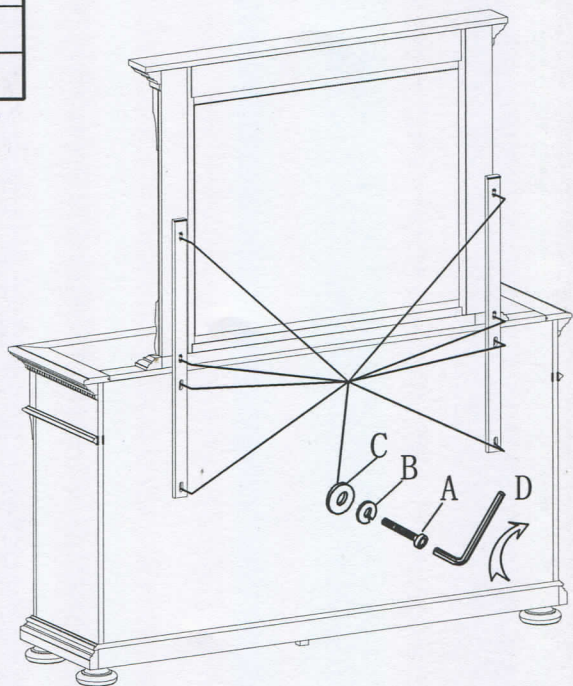
ASSEMBLY INSTRUCTIONS

23367- Mirror

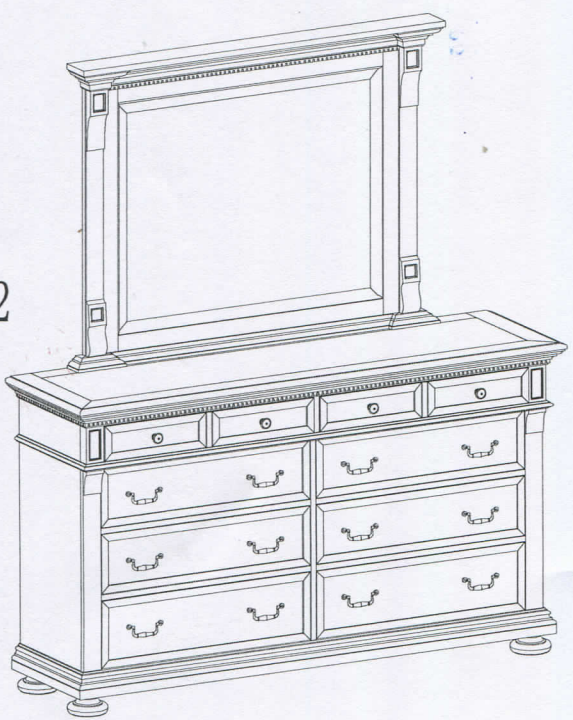
A HOWARD MILLER COMPANY

A		1/4 x38mm	8Pcs
B		1/4	8Pcs
C		1/4 x19mm	8Pcs
D		4mm	1Pc

Step 1



Step 2



Step 1: Put the mirror on top of the dresser, assemble the mirror supports with Bolt (A), Lock Washer (B) and Flat Washer (C) using Wrench (D).

MADE IN VIETNAM