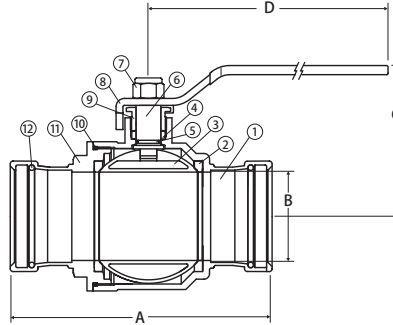


# Lead Free Brass Ball Valve

2 Piece, Full Port, Press XLC Connection, 250 WOG

## JP-150G XLC



### FEATURES

- Dezincification Resistant Brass Alloy
- Gland Follower and Single O-Ring Stem Design
- Blow-Out Proof Stem
- 100% Leak Tested
- IAPMO Certified - NSF 61 & NSF 372 & NSF 14
- 29 in-Hg Vacuum Rating
- Wetted Surfaces Contain Less than .25% Lead Content

### CERTIFICATIONS/APPROVALS

- NSF 61-8
- NSF 372
- Conforms to IAPMO PS 117

### PRESSURE/TEMPERATURE RATING

- 250 WOG
- Max. 250°F

### MATERIALS

No.	Part	Material
1	Body	Lead Free Brass - C46500
2	Seat	PTFE
3	Ball	Stainless Steel
4	Packing	PTFE
5	O-ring	Buna-N
6	Stem	Stainless Steel
7	Handle Nut	Steel - Chrome Plated
8	Handle	Steel - Chrome Plated
9	Packing Nut	Brass - C37700
10	O-Ring	NBR
11	Cap	Lead Free Brass - C46500
12	O-Ring	EPDM

### DIMENSIONS

Part No	Size	A	B	C	D	Cv
150-209XLCG	2-1/2"	7.48	2.52	4.25	7.76	337.71
150-210XLCG	3"	8.17	2.89	4.59	8.19	445.41
150-211XLCG	4"	9.86	3.84	5.49	9.25	783.77