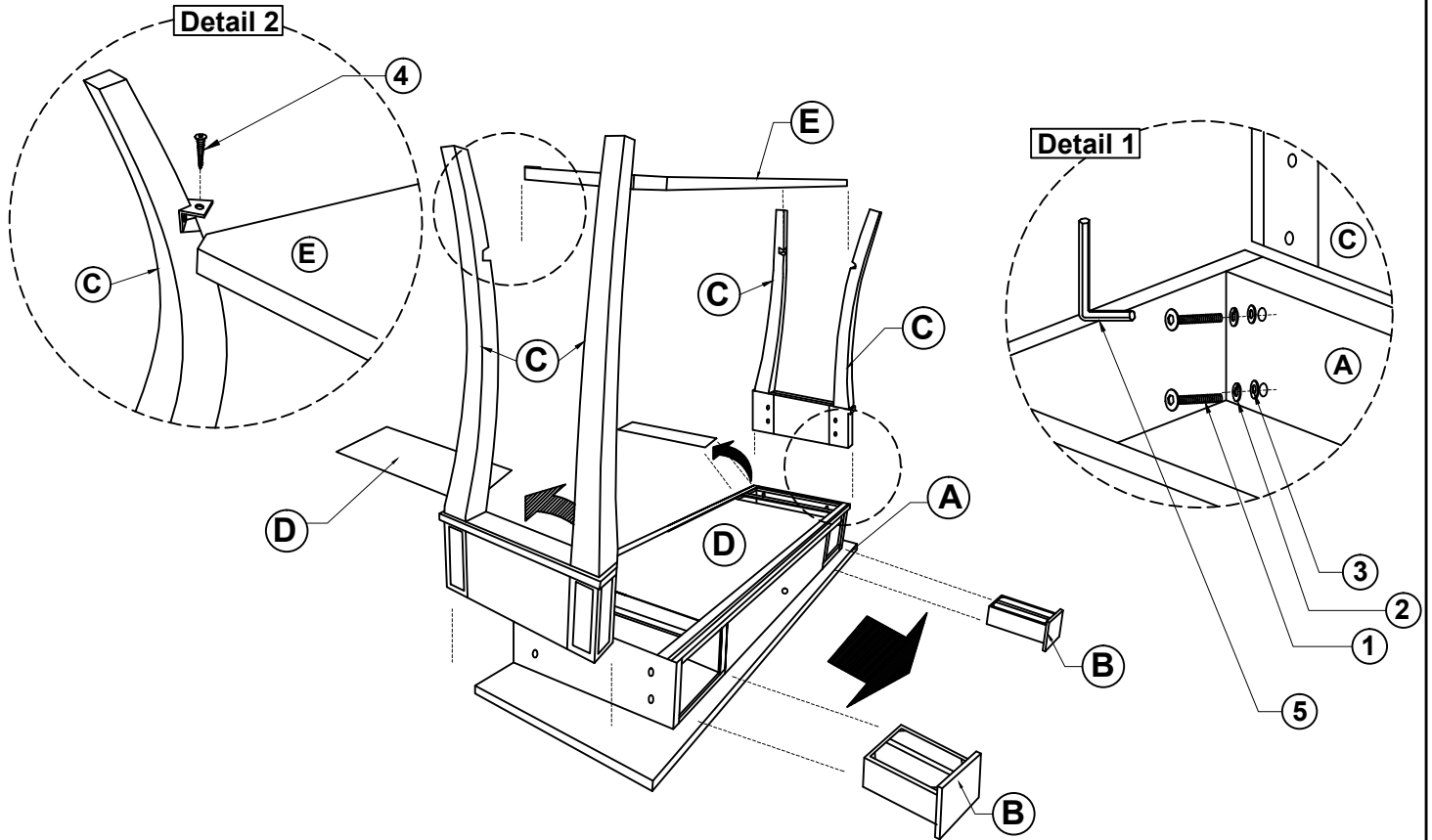


# HEKMAN

## ASSEMBLY INSTRUCTION 23104-CONSOLE TABLE



### TO ASSEMBLE : ( Two People Required)

Step 1 : Remove Drawers (B) and turn the table (A) upside down on a soft, clean surface

Step 2 : Remove Dustproof Panel (D) for allowing access and for installing the Leg Assemblies (C).

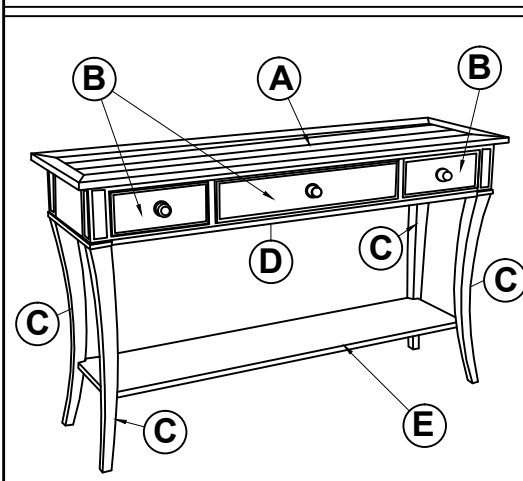
Step 3 : Attach Leg Assemblies (C) to each side table using the JCBC bolts(1) with lock washer(2) and a flat washer(3). Do not tighten until shelf (E) is attached.(Detail 1).

Step 4 : Line up the holes of metal tab in Legs Assemblies (C) with the bottom Shelf (E), then tighten with screw driver. (Detail 2).




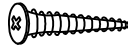

Step 5 : Tighten JCBC bolts (1) in Leg Assemblies (C).

Step 6 : Reinstall the Dustproof panel (D).

Step 7 : Carefully turn the table upright and insert drawers (B) into position.



### HARDWARE LIST

Part	Item	Description	Qty
1.		JCBC Bolt M6 x 45 mm	8 pcs
2.		Lock Washer M6	8 pcs
3.		Flat Washer M6	8 pcs
4.		Screw 8 x $\frac{5}{8}$ "	4 pcs
5.		Allen Wrench	1 pc