

KITCHEN  HELPER®

Jr. Contemporary Kitchen Helper Step-Up

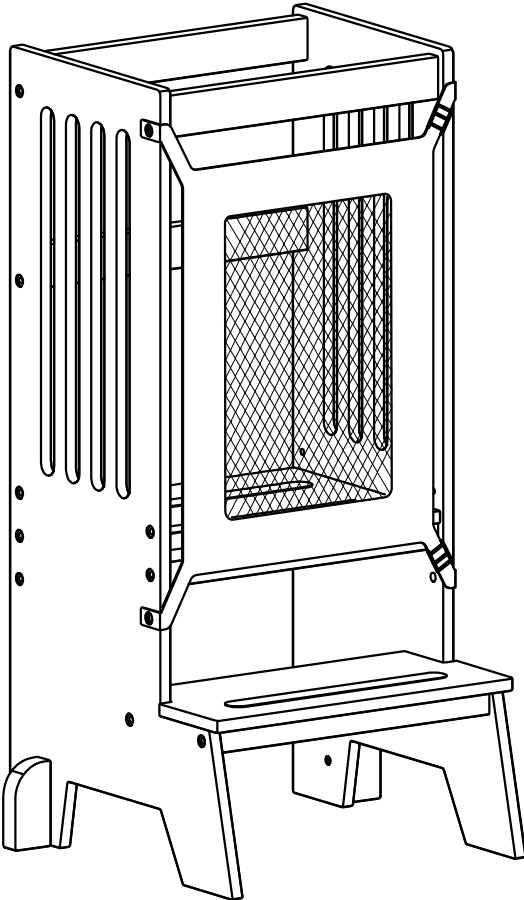


guide  craft

Instruction Manual

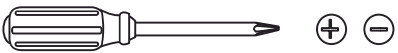


Jr. Contemporary Kitchen Helper Step-Up
Assembly Instructions



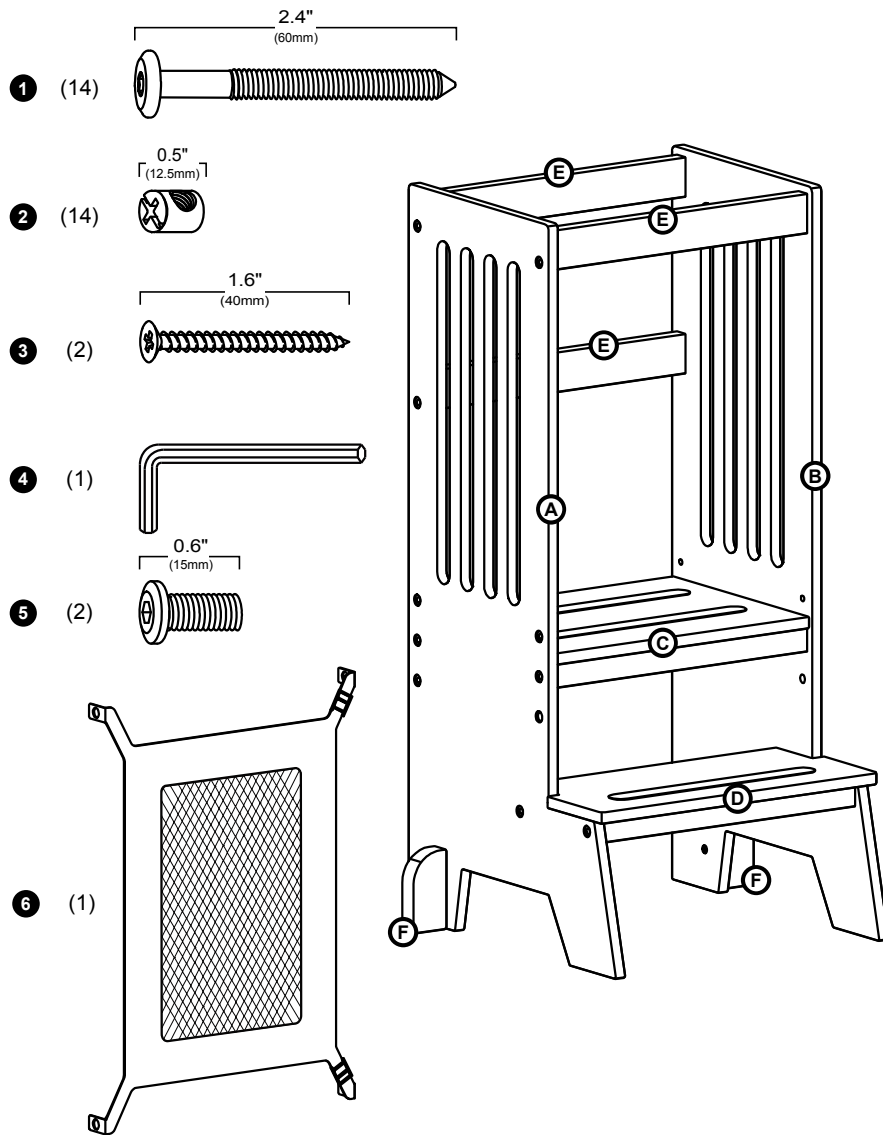
**Do Not
Over Tighten**

**Do Not
Use Power Tools**

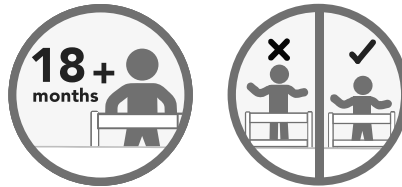


Required for assembly.


Jr. Contemporary Kitchen Helper Step-Up Parts and Hardware



Jr. Contemporary Kitchen Helper Step-Up Platform Height Selection

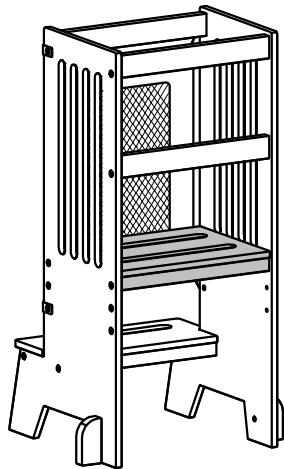


The Jr. Contemporary Kitchen Helper Step-Up is designed to be used at three different heights based on the age and height of a child.

Once the waist of a child is above the top of the Jr. Contemporary Kitchen Helper Step-Up, please adjust the platform (part ) to a lower position.

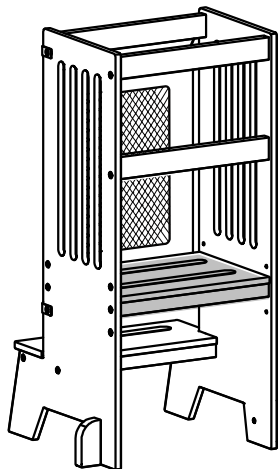
This product is not designed for children under the age of 18 months.

Level 1



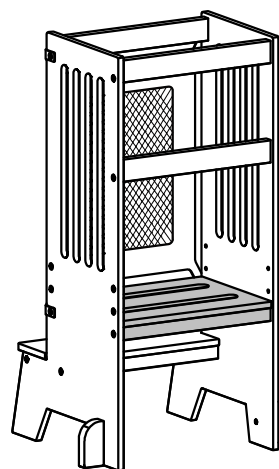
18 months–3 years old
17" platform height

Level 2



3–4 years old
15" platform height

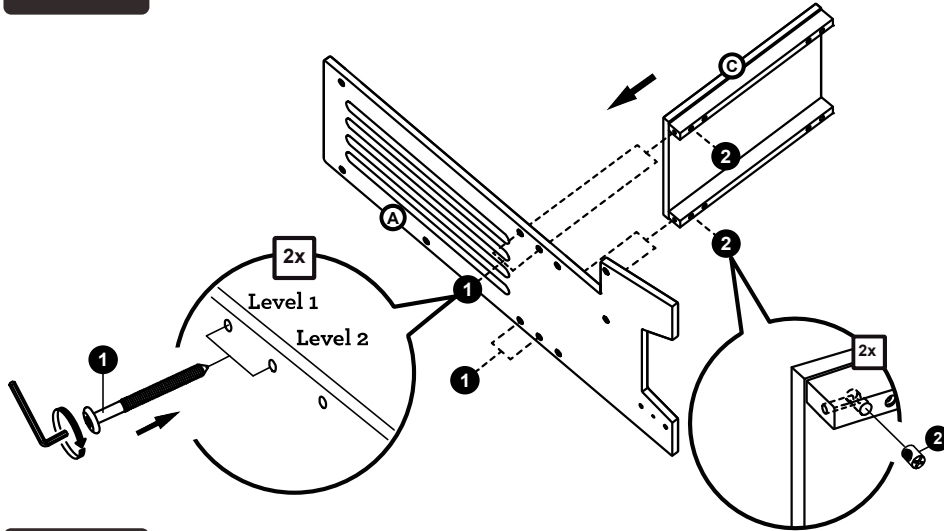
Level 3



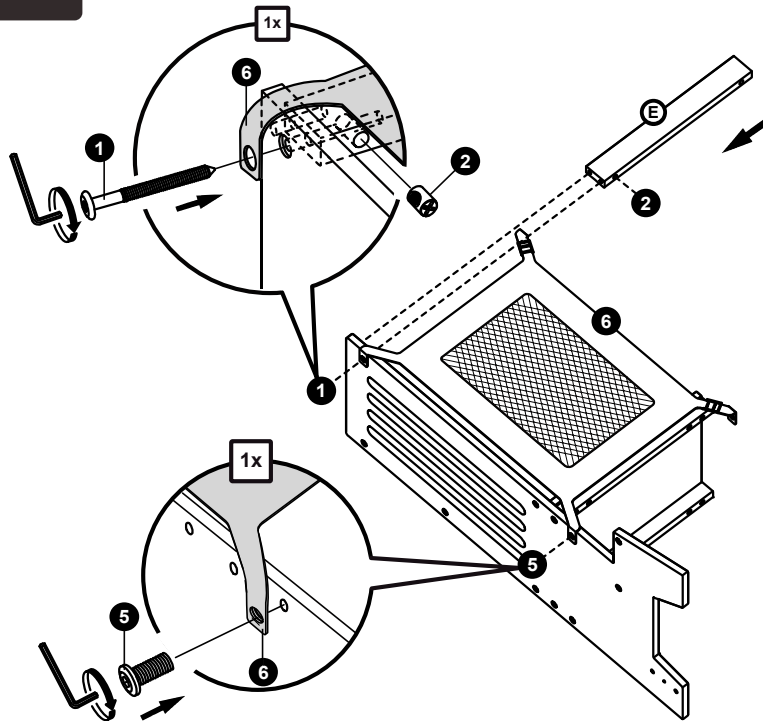
4+ years old
13" platform height

Step 1

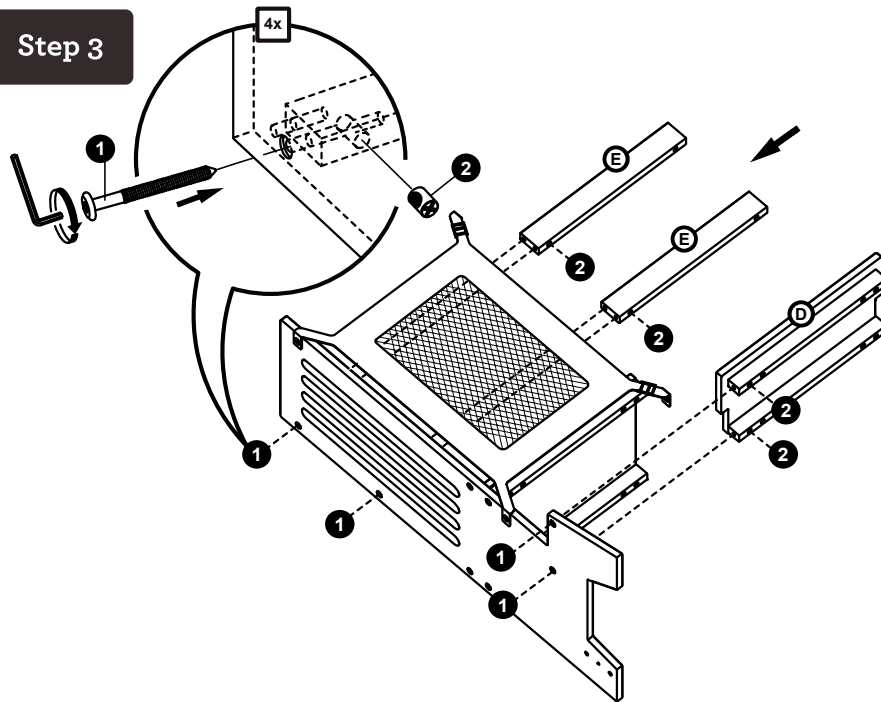
To assemble the platform at level 1 or 2, follow steps 1- 6. Platform height adjustment instructions for level 3 can be found on page 7.



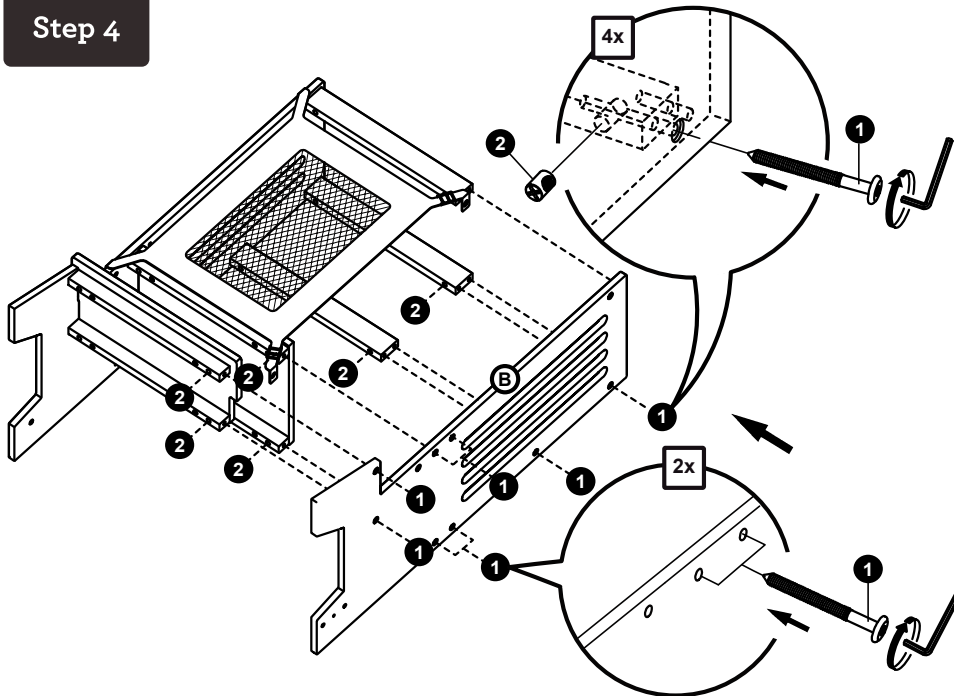
Step 2



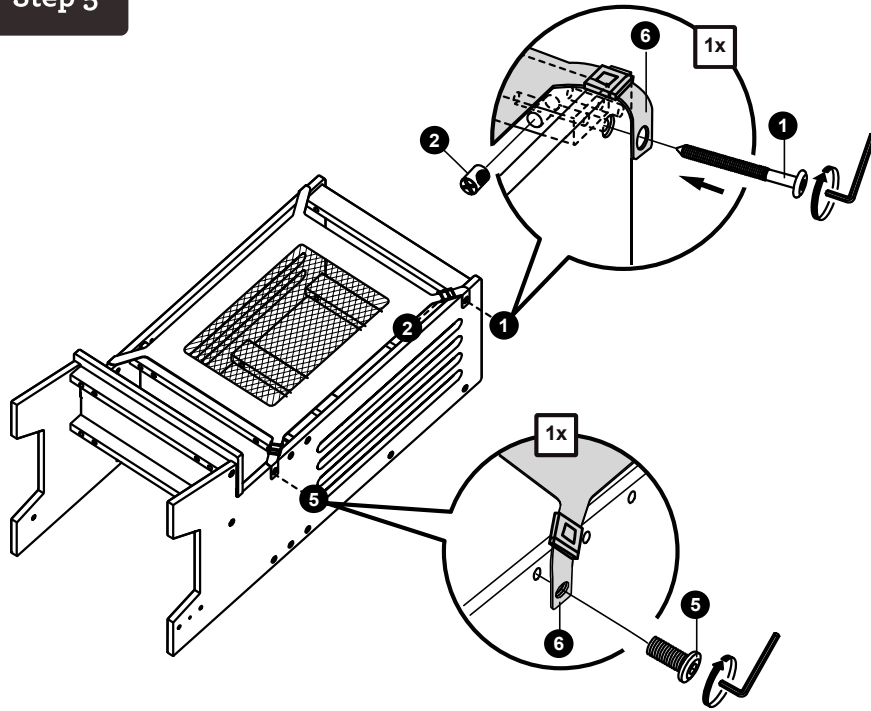
Step 3



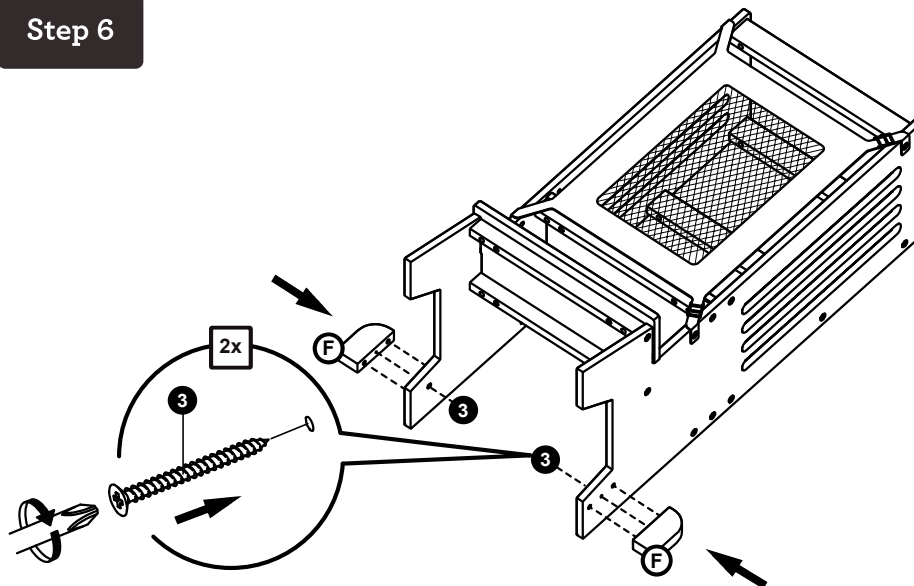
Step 4



Step 5



Step 6



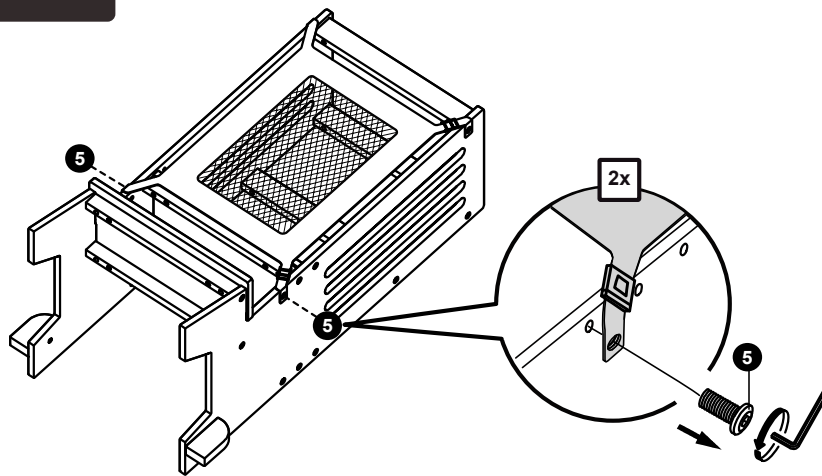
Jr. Contemporary Kitchen Helper Step-Up

Platform Height Adjustment

As your child grows, the platform height must be adjusted. Set bolt 5 aside and save for future use in case you need to move the platform back to a higher position.

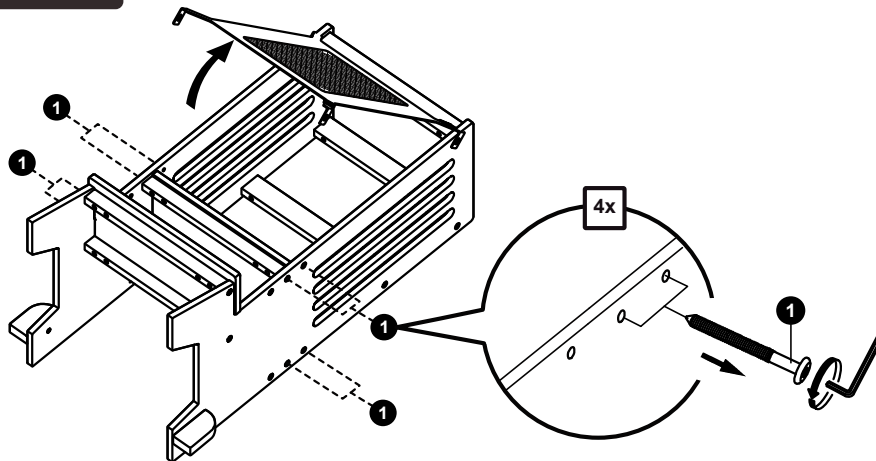
Step 1

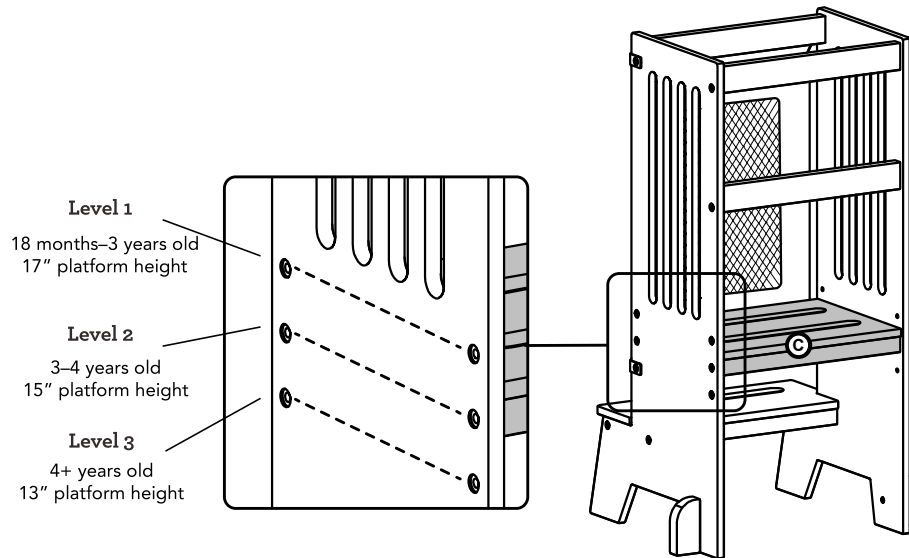
Remove bolts 5 securing the keeper.



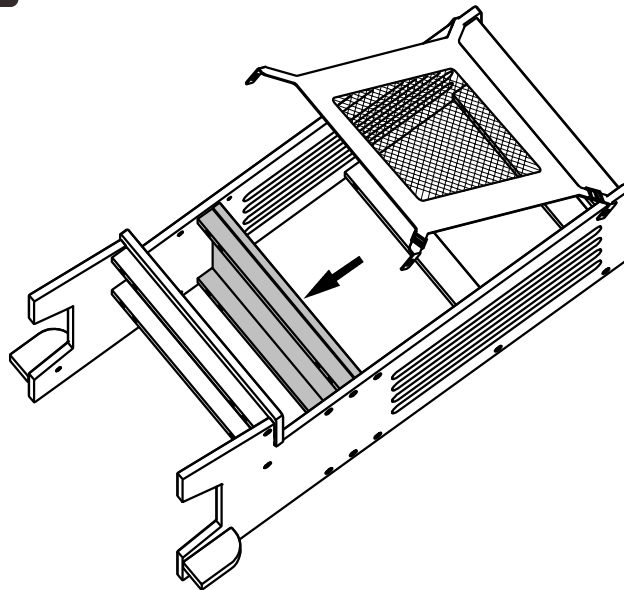
Step 2

Remove bolts 1 securing the platform.



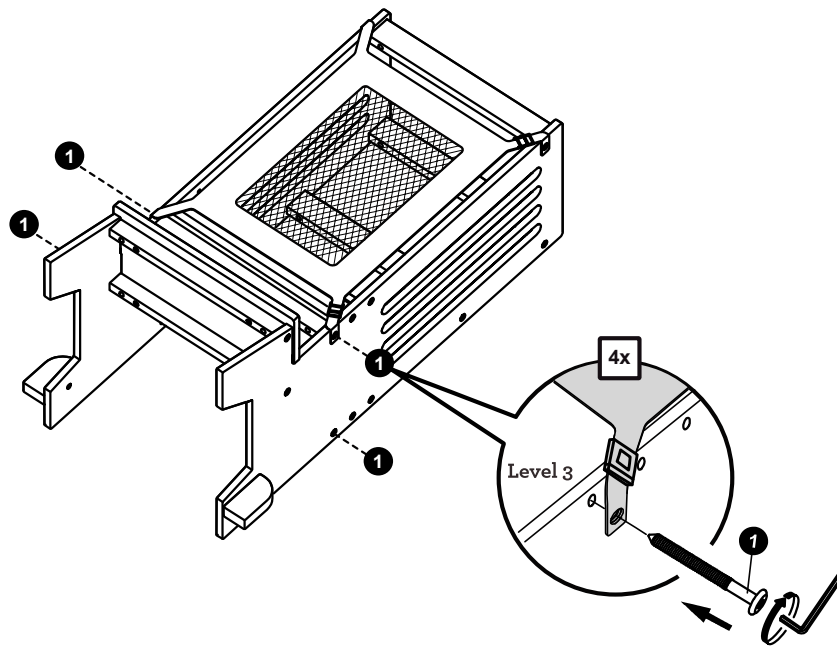


Step 3 Lower the platform to the level 3 position.

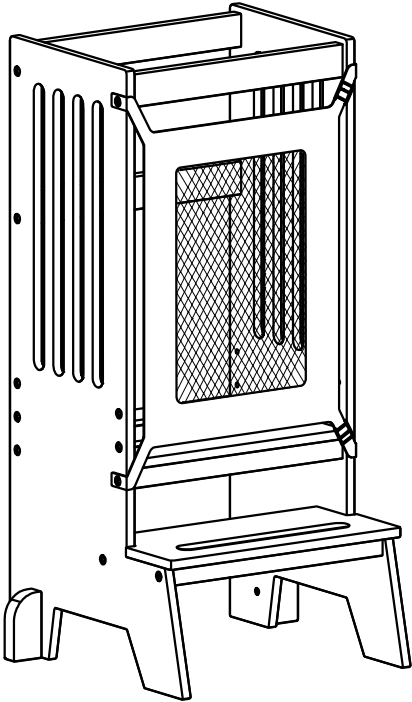
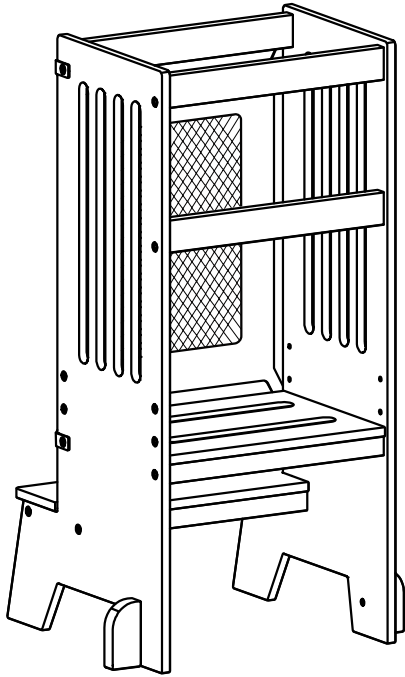


Step 4

Use **1** bolts to secure the Keeper and platform to the rest of the unit.
Set aside the **5** bolts for future use.

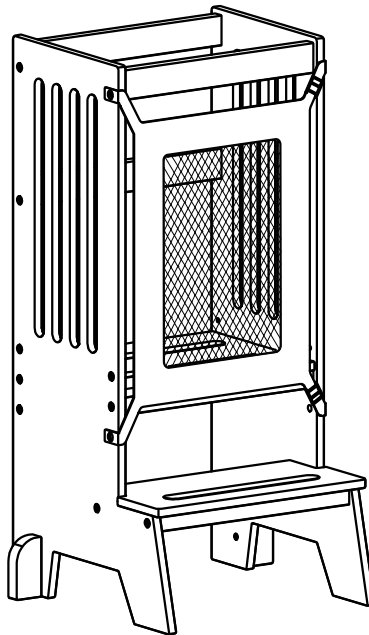


Done!



Jr. Contemporary Kitchen Helper Step-Up

Additional Information



Customer Service

For parts, please contact your dealer. Reference your item name and number and order number.

Five Year Limited Warranty

Your product is warranted to be free from defects in material and craftsmanship for a period of five {5} years. This warranty does not apply to damage caused by abuse, misuse, improper care or altered product. This warranty is provided to the original purchaser with proof of purchase, and is non-transferable.

The manufacturer's liability under this warranty is limited to the repair or replacement of the defective product, at

the manufacturer's sole option. This express, limited warranty is granted in lieu of all other warranties, including implied warranties of merchantability and fitness for a particular purpose.

Cleaning Instructions/Maintenance

To clean your product, use mild soap and water on a damp cloth. Do not use window cleaners or cleaning abrasives as they will scratch the surface and could damage the protective coating.

Keep supplied hardware and tools with your product for future reference. Periodically check your product and tighten hardware if necessary.

KITCHEN HELPER®

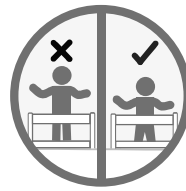
Jr. Contemporary Kitchen Helper Step-Up

Safety Instructions

Guidecraft's Jr. Contemporary Kitchen Helper Step-Up is designed, manufactured and tested with strict adherence to child safety standards. Please read, retain and follow all safety instructions.



Watch children closely
Never leave a child unattended on the Kitchen Helper. Adult supervision is required at all times. Failure to attend to children may result in injury or death.



Ensure correct platform height
The top crossbar of the Kitchen Helper should be above the child's waist. If not, change the platform to the lower settings.



Slippery when wet
Keep non-skid platform dry at all times. Risk of falling when platform is wet.



Not a climbing structure
The Kitchen Helper is for providing a counter-height experience for children to safely and securely be in the kitchen alongside adults.



Careful positioning
Products in the kitchen not for use by children should be kept out of reach.



Ensure appropriate age and weight
Intended for children age 18 months+;
Safely supports up to 125 lbs/56 kg



Check hardware
Inspect all screws and bolts periodically to ensure they are securely fastened.



