

ASSEMBLY INSTRUCTION

ROUND TRAY END TABLE

A Table Top



1pc

B Leg-C



4pcs

C Leg-D



4pcs

D Screw

M4X14MM



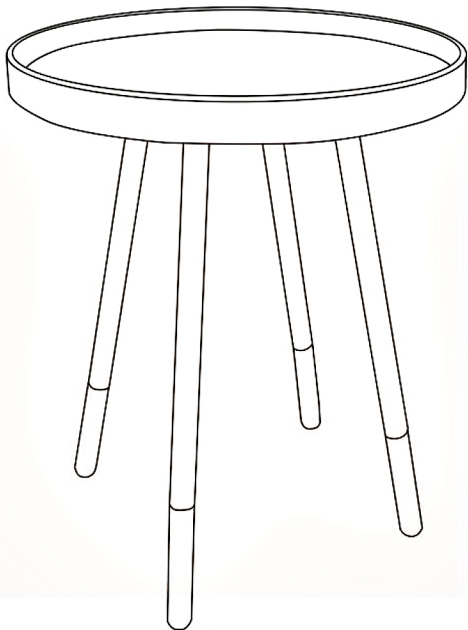
12pcs

E Wrench

M6

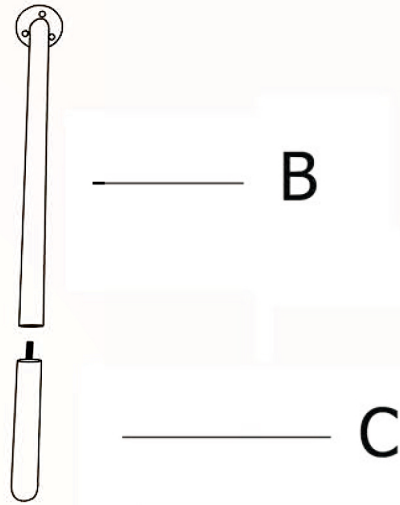


1pc

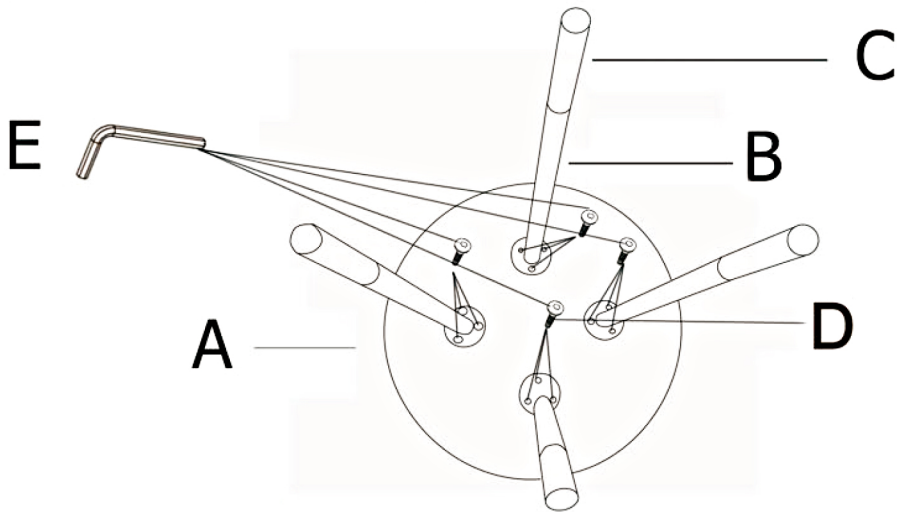


This page lists all the contents included in the box. Please take the time to identify the hardware as well as the individual components to this product. As you unpack and prepare for assembly, place the contents on a carpeted or padded area to protect them from damage.

1 Install leg-D (C) to leg-C (B) with the hand.



2 Install leg-C (B) to table top (A) with wrench (E) and turn the screw (D) in it. Make sure all screw (D) are tight.



Cleaning & Care

Treat surface with care. Surface is resistant to scratches but is not scratch resistant. Clean surfaces with a dry or damp soft cloth. Do not use abrasive cleaners. Hardware may loosen over time. Periodically check that all connections are tight.