





Location:



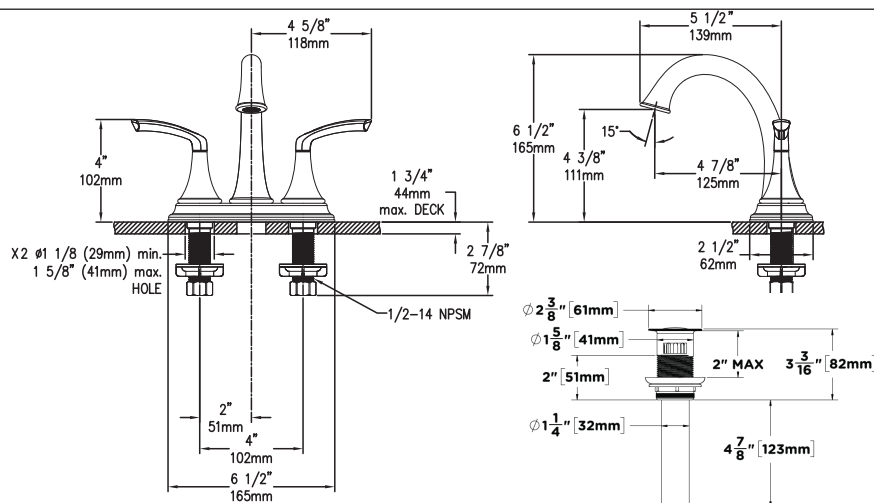
SLC5512PP Lavatory Faucet Specification Submittal

Model Numbers <input type="checkbox"/> SLC5512PP Centerset Lavatory Faucet with A Push Pop Drain Assembly	Feature Highlights <ul style="list-style-type: none"> • 4 inch centerset lavatory faucet with lever handles • Commercial grade 1/4 turn ceramic disc valve cartridge for drip free performance • 1/2 inch IPS shanks • Standard flow rate is 1.0 gpm (3.8 L/min) • Optional lower flow rate restrictor available • Polished chrome finish (standard)
Options/ Modifications <input type="checkbox"/> STN Satin nickel finish <input type="checkbox"/> BBZ Brushed Bronze finish <input type="checkbox"/> MB Matte Black finish	Warranty <p>Limited Lifetime - to the original end purchaser in consumer/residential installations.</p> <p>10 Years - for commercial/industrial installations. Refer to www.symmons.com/warranty for complete warranty information.</p>  
<p>Note: Append appropriate -suffix to model number.</p> Compliance -ASME A112.18.1/CSA B125.1 -NSF/ANSI/CAN 61: Q<1, NSF/ANSI 372 -WaterSense 1.0 gpm -Americans with Disabilities Act (ADA) compliant  	

Architectural/ Engineering Specification

Symmons Elm Lavatory Faucet _____ Includes 4 inch centerset lavatory faucet with lever handles, Commercial grade 1/4 turn ceramic disc valve cartridge for drip free performance, 1/2 inch IPS shanks, Standard flow rate is 1.0 gpm (3.8 L/min), Optional lower flow rate restrictor available, Polished chrome finish (standard). 10 Year Commercial Warranty. ASME A112.18.1/CSA B125.1, NSF/ANSI/CAN 61: Q<1, NSF/ANSI 372, WaterSense 1.0 gpm, Americans with Disabilities Act (ADA) compliant. Available options: "STN - Satin nickel finish", "BBZ - Brushed Bronze finish", "MB - Matte Black finish".

Dimensions



Note: Dimensions subject to change without notice.