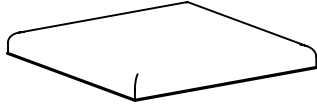


# ASSEMBLY INSTRUCTION

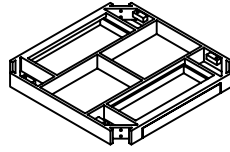
## OTTOMAN WITH DRAWER

**A** Cushion  
(in the other carton)



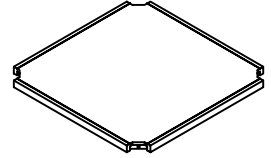
1 PC

**B** Frame



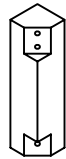
1 PC

**C** Bottom Panel



1 PC

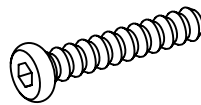
**D** Legs



(Islander Leg) OR (Straight Leg)

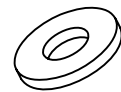
4 PCS

**E** Bolt  
5/16", 51mm



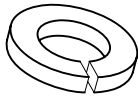
16 PCS

**F** Flat Washer



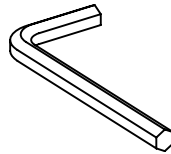
16 PCS

**G** Lock Washer



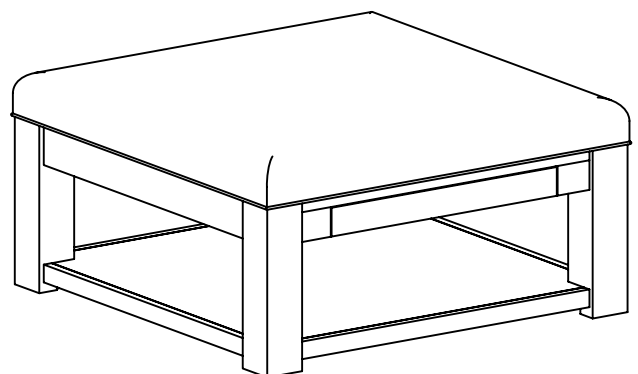
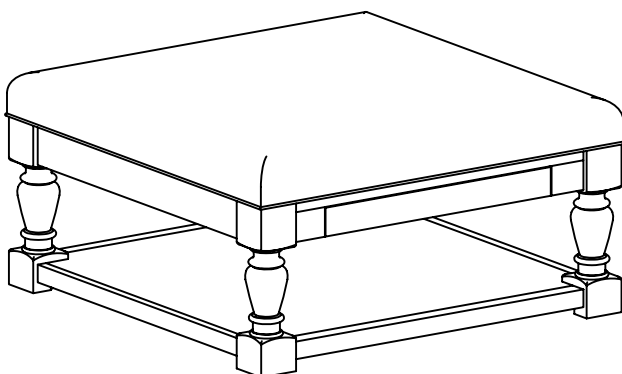
16 PCS

**H** Allen Wrench

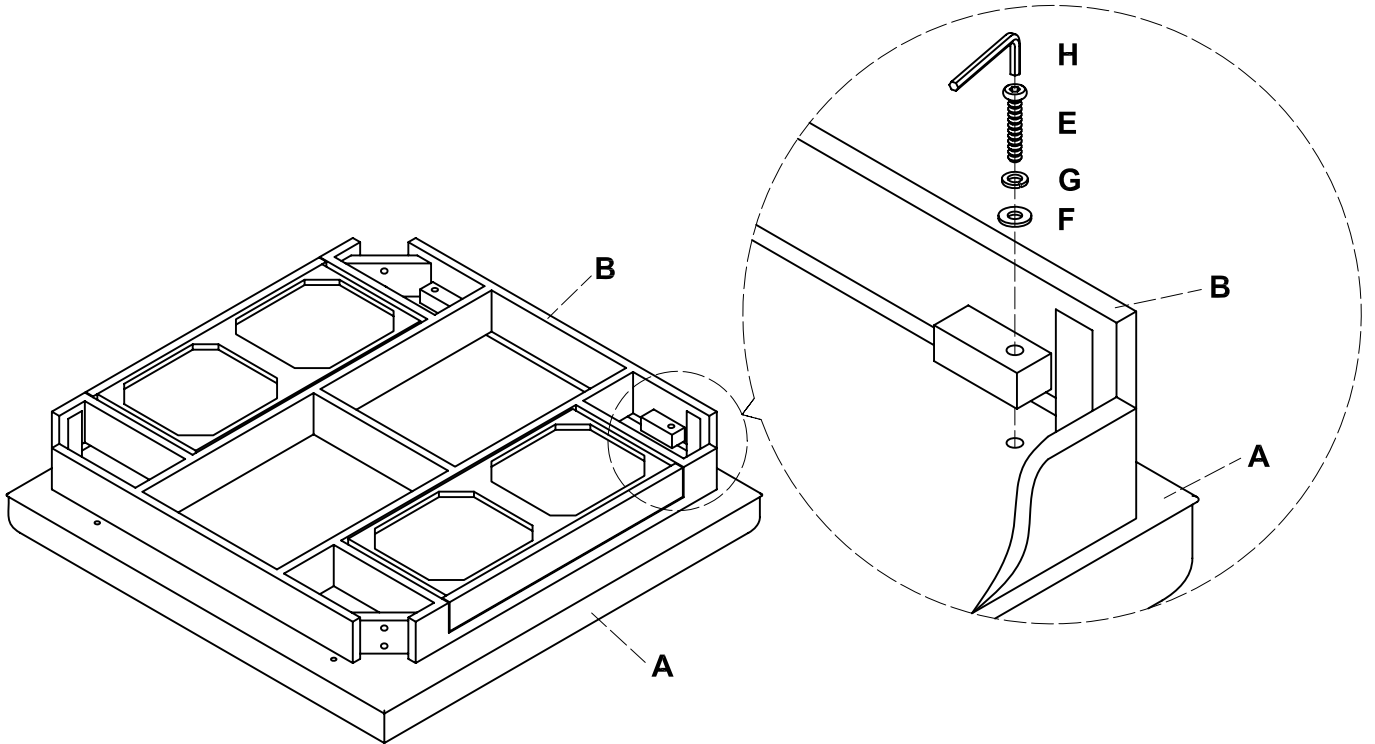


1 PC

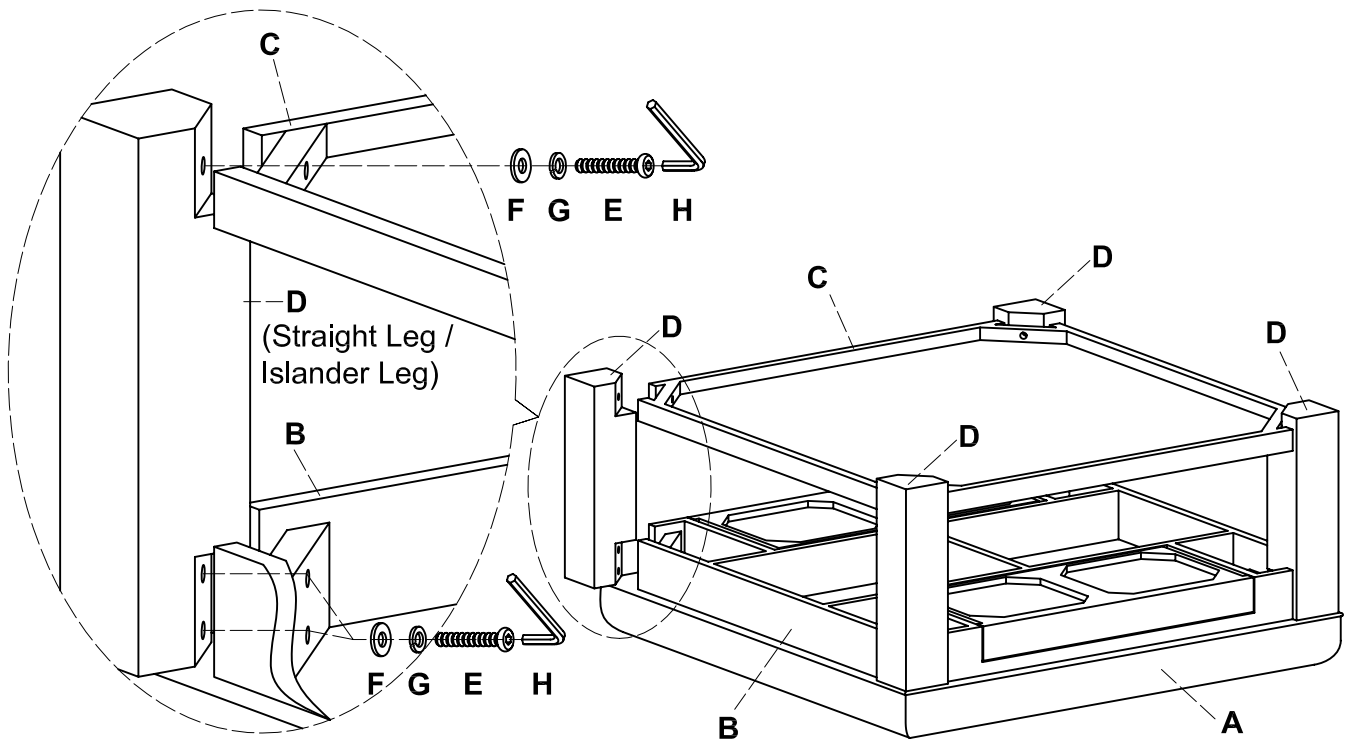
This page lists all the contents included in the box. Please take the time to identify the hardware as well as the individual components to this product. As you unpack and prepare for assembly, place the contents on a carpeted or padded area to protect them from damage.



- 1** Attached Frame (B) to the Cushion (A). Use Bolt (E), Lock Washer (G), Flat Washer (F), on holes of Frame (B). Turn the Allen Wrench (H) in Bolt (E).



- 2** Attached Leg (D) to the Frame (B) and Bottom Panel (C). Use Bolt (E), Lock Washer (G), Flat Washer (F), on holes of Frame (B) and Bottom Panel (C). Turn the Allen Wrench (H) in Bolt (E).



### Cleaning & Care

Treat surface with care. Surface is resistant to scratches but is not scratch resistant. Clean surface with a dry or damp soft cloth. Do not use abrasive cleaners. Hardware may loosen over time. Periodically check that all connections are tight.