
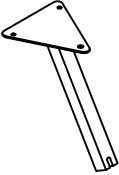
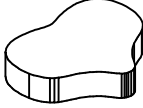
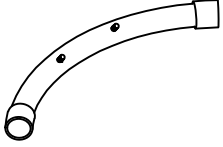
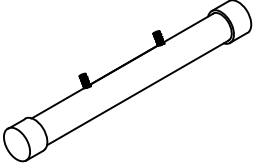
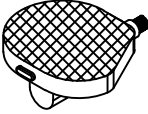
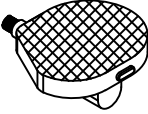
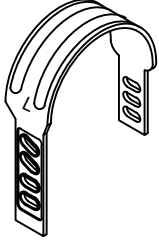
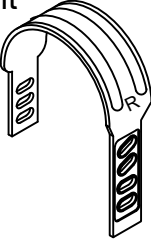
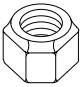
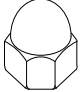
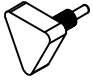
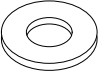

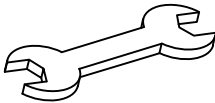
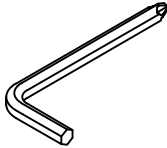
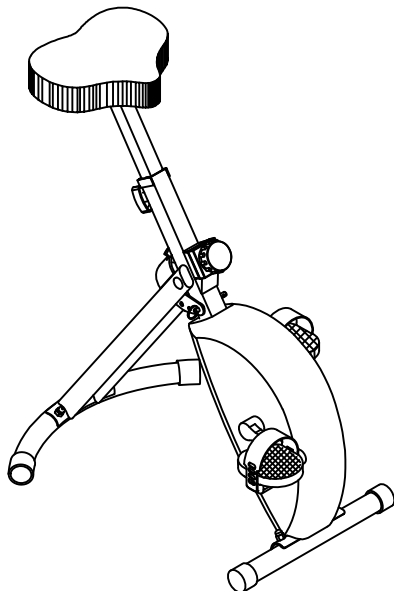


ASSEMBLY INSTRUCTION

BIKE CHAIR

A Bike Main Body  1pc	B Seat Post  1pc	C Seat Cushion  1pc	D Back Leg  1pc
E Front Leg  1pc	F Pedal - Left  1pc	G Pedal - Right  1pc	H Adjustable Binding - Left  1pc
I Adjustable Binding - Right  1pc	J Hex Nut M8 (Pre-assembled on Seat Cushion)  3pcs	K Acron Nut M8  4pcs	L Fix Bolt M12x66mm  1pc
M Flat Washer Ø19mm (Pre-assembled on Seat Cushion)  3pcs	N Flat Washer Ø22mm  4pcs	O Spanner 13mm-15mm  1pc	P Allen Key (Spare Part) M5  1pc

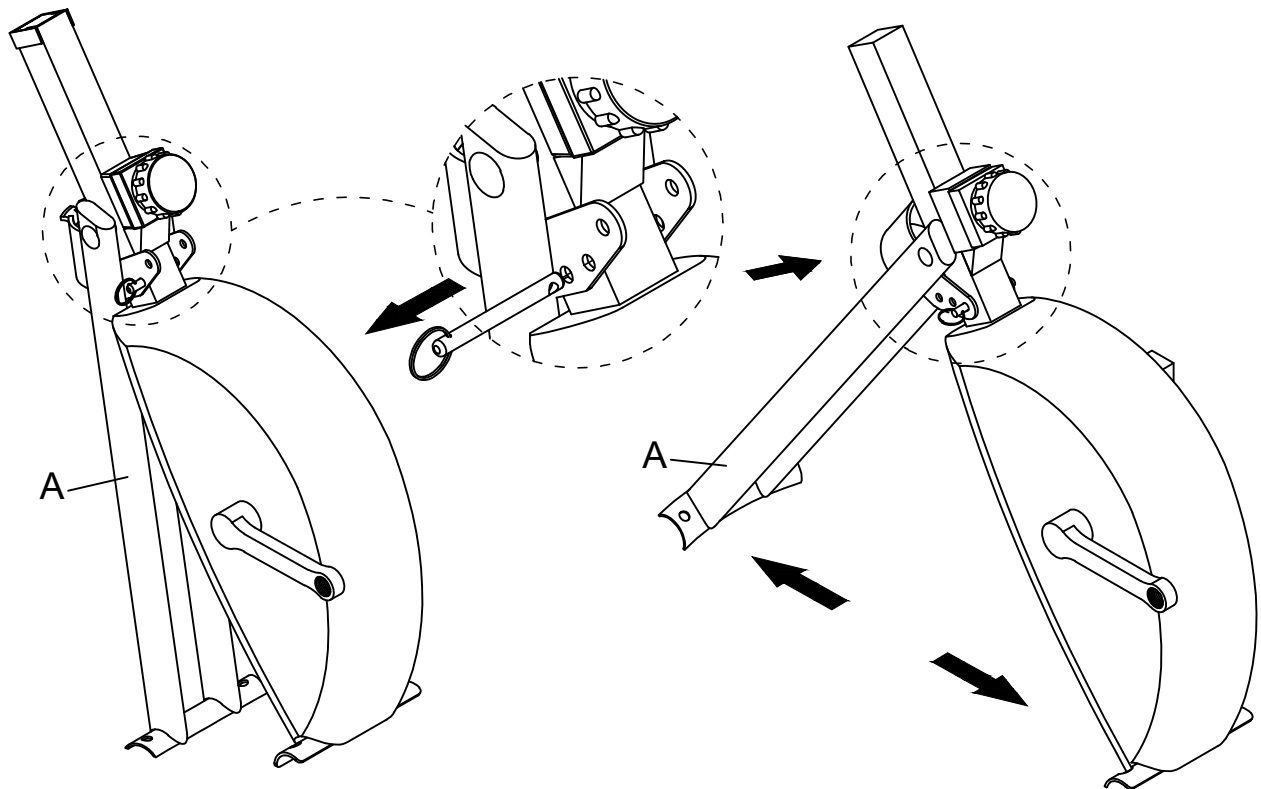


This page lists all the contents included in the box. Please take the time to identify the hardware as well as the individual components to this product. As you unpack and prepare for assembly, place the contents on a carpeted or padded area to protect them from damage.

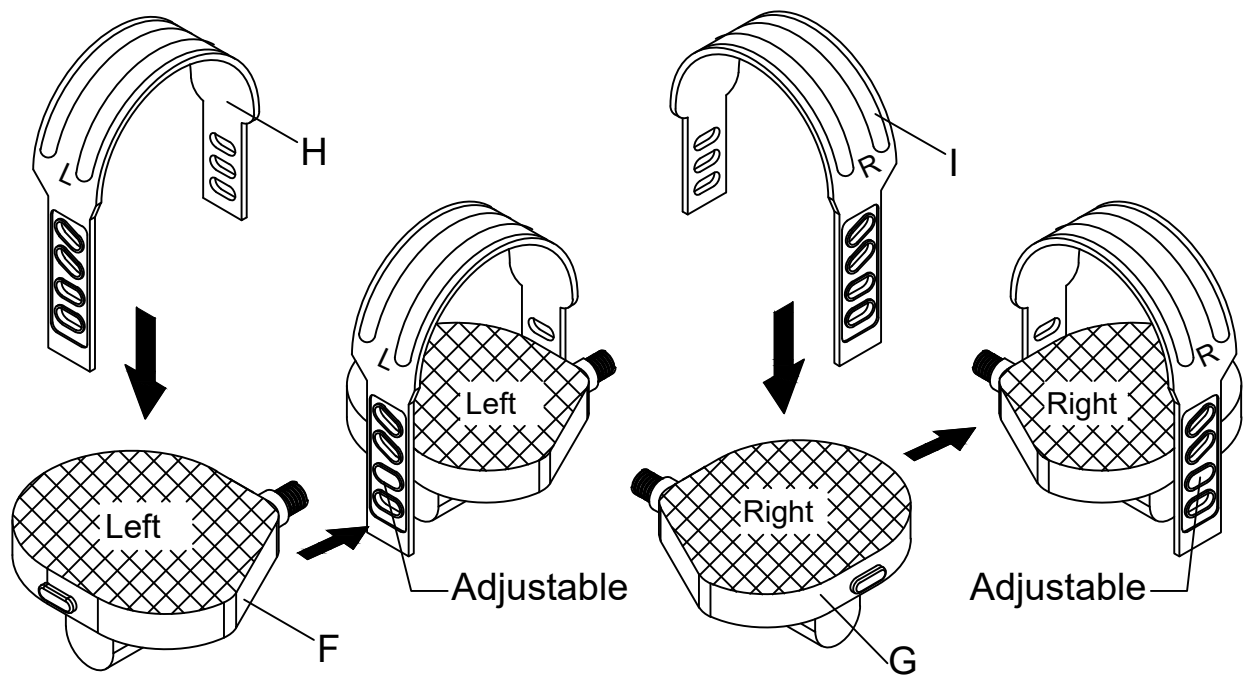
- 1** Remove the pin of Bike Main Body (A), adjust the width of the body, then, insert the the pin back to the hole on the most edge of the panel as below shown.

ASSEMBLY

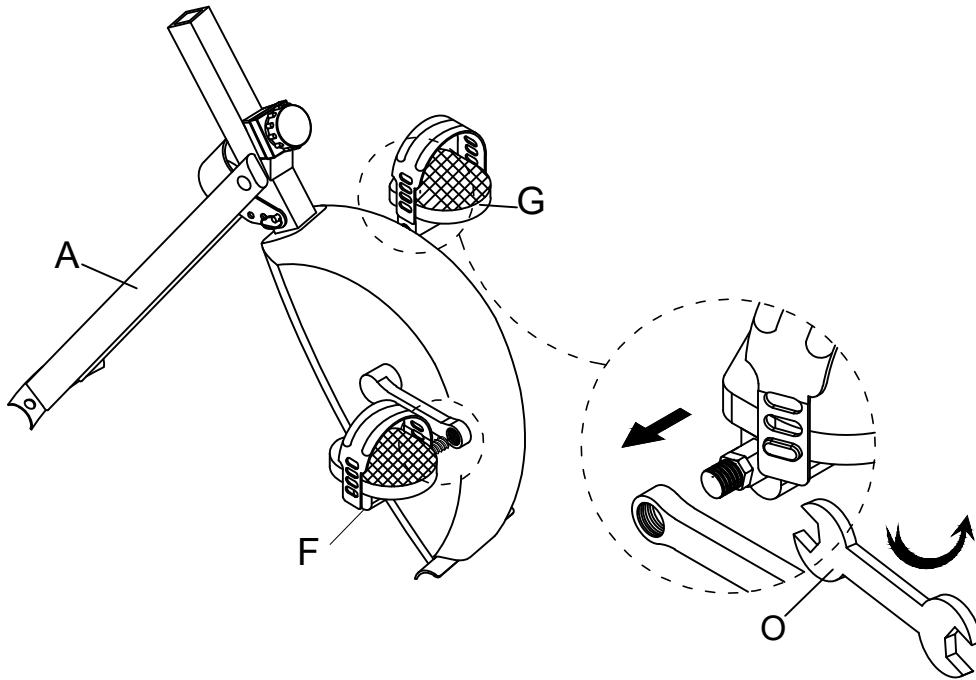
Do not fully tighten all bolts until assembly is complete.
This will help all parts to assemble properly.



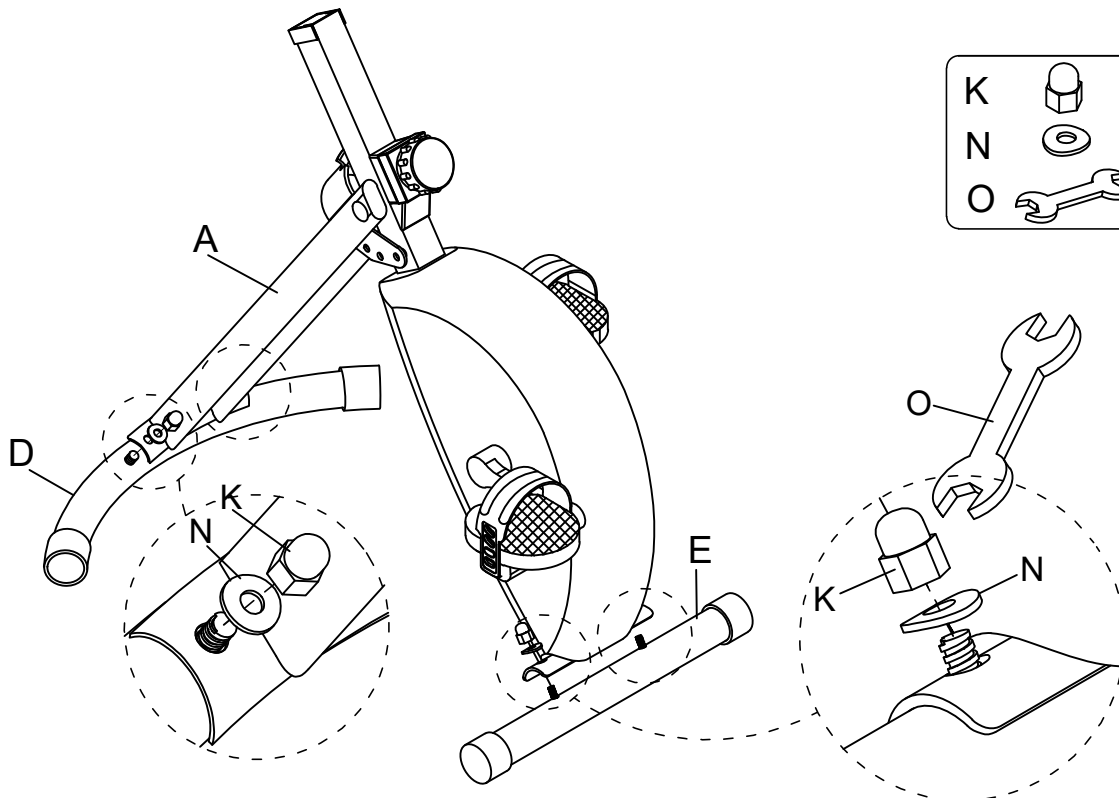
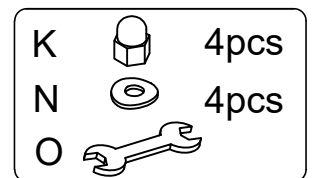
- 2** Assemble Adjustable Binding - Left (H) & Adjustable Binding - Right (I) to Pedal - Left (F) & Pedal - Right (G) as below shown.



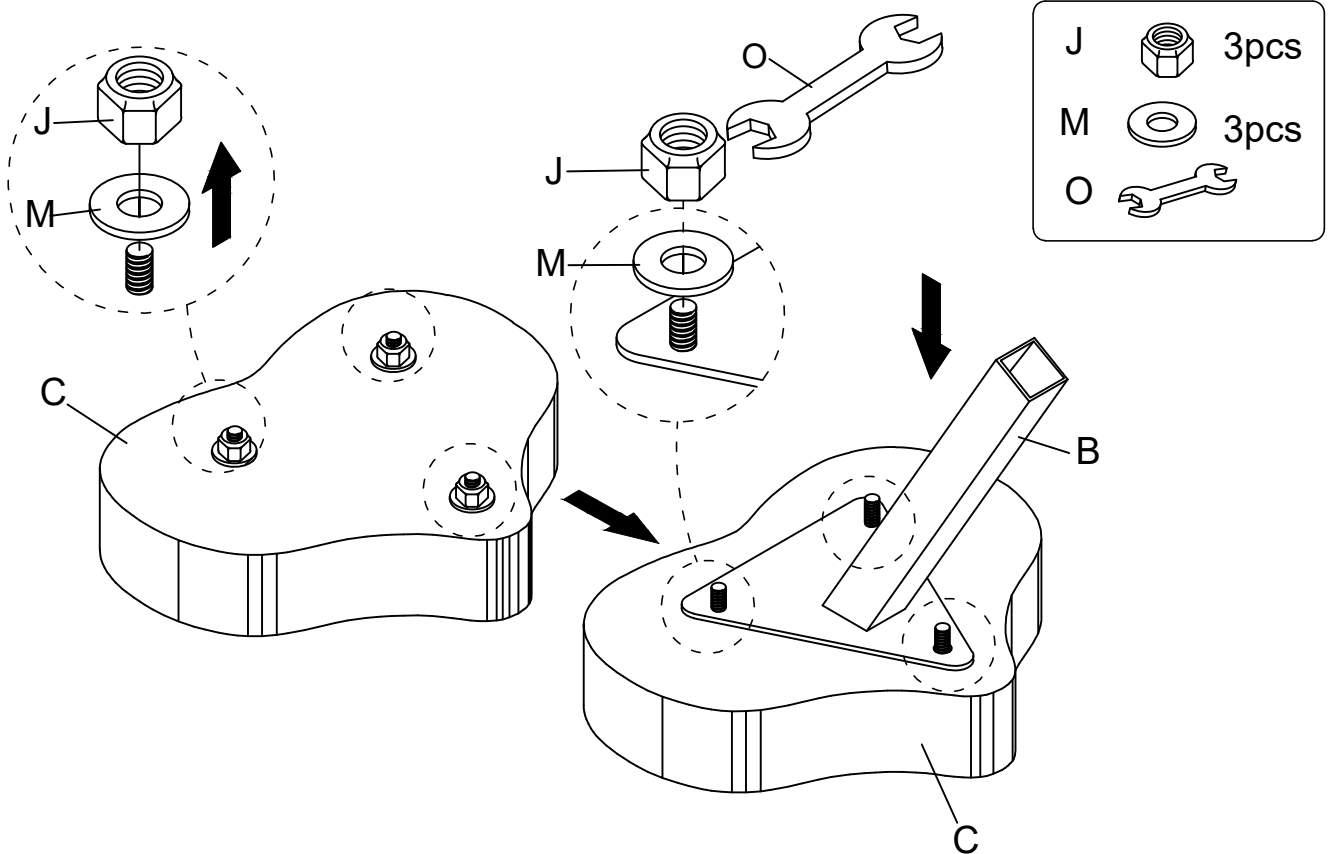
3 Assemble Pedal-Left (F) and Pedal-Right (G) to Bike Main Body (A), then fasten by Spanner (O) as below shown.



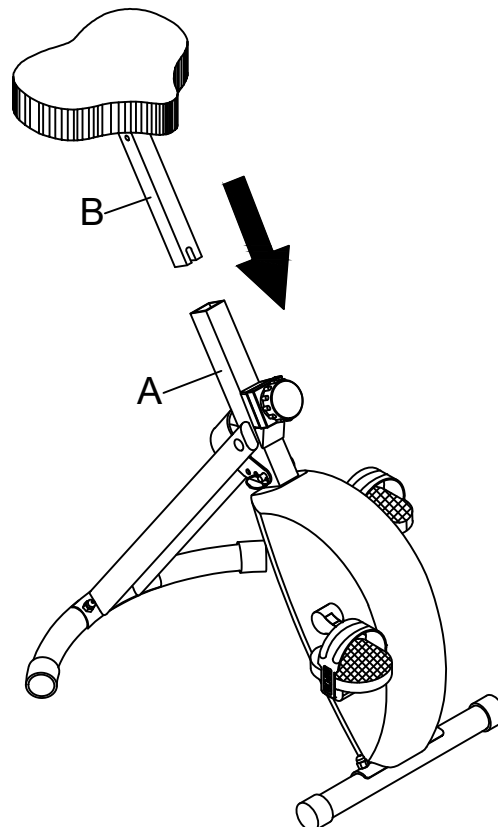
4 Assemble Back Leg (D) & Front Leg (E) to Bike Main Body (A), using Acorn Nut (K) & Washer (N) to fasten by Spanner (O) as below shown.




5 Remove Hex Nut (J) & Flat Washer (M) from Seat Cushion (C) first, then assemble Seat Post (B) to Seat Cushion (C), using Hex Nut (J) & Flat Washer (M) to lock back and fasten by Spanner (O) as below shown.

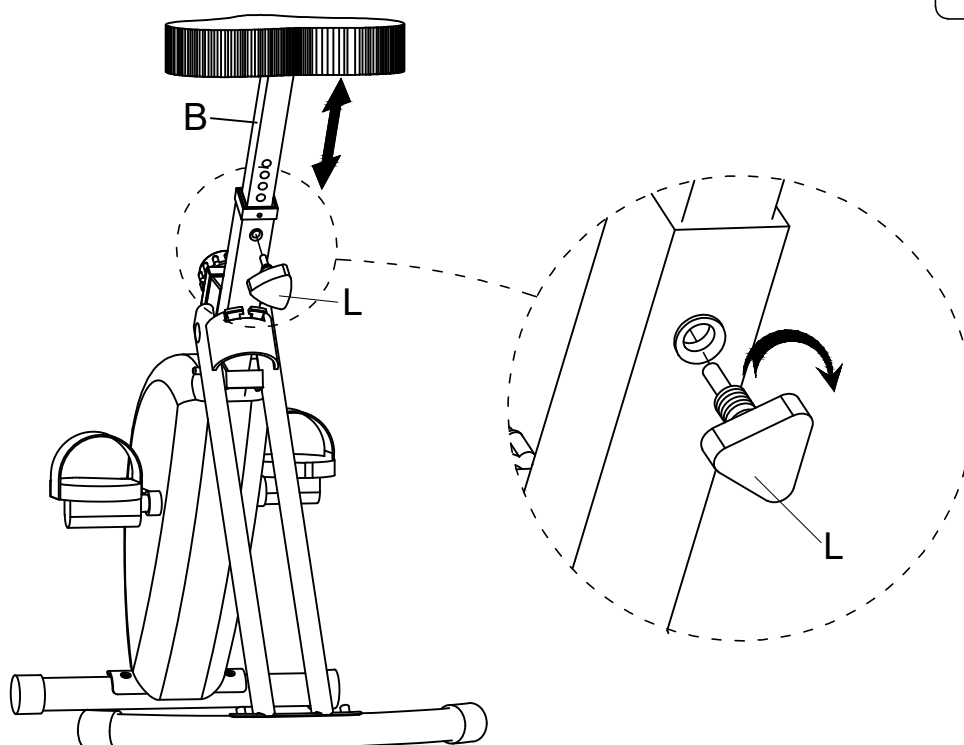


6 Insert Seat Post (B) into Bike Main Body (A) as below shown.



7 Adjust Seat Post (B) to suit for your height, then fasten with Fix Bolt (L) as below shown.

L  1pc



⚠ WARNINGS:

Maximum loading weight is not exceed 220LBS on the seat.
Please make sure that all bolts are fully tightened before using.

Cleaning & Care

Treat surface with care. Surface is resistant to scratches but is not scratch resistant.
Clean surfaces with a dry or damp soft cloth. Do not use abrasive cleaners.
Hardware may loosen over time. Periodically check that all connections are tight.