
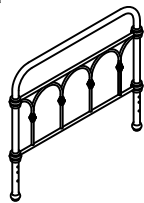

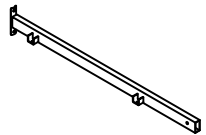
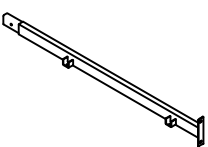
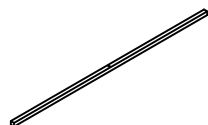
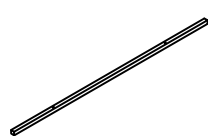



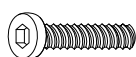
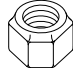

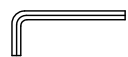
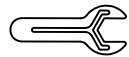
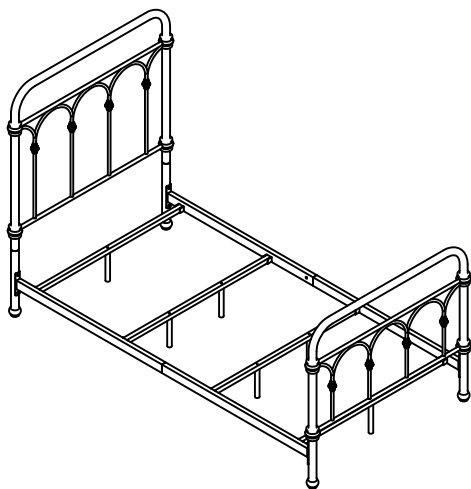


# ASSEMBLY INSTRUCTION

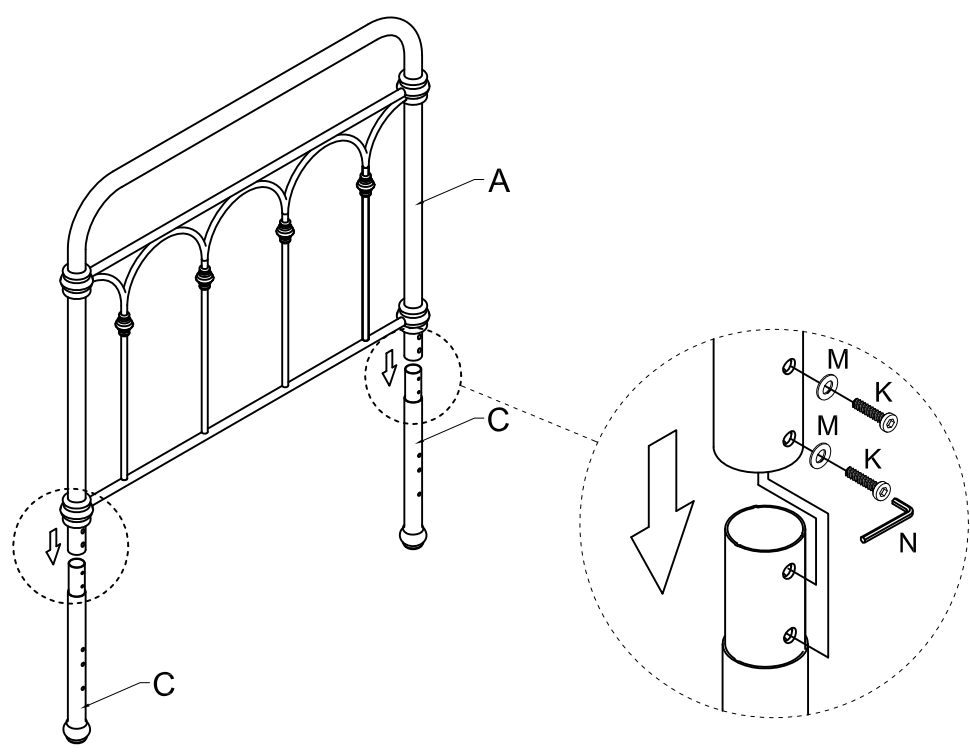
## E308BT POWDER COAT METAL TWIN BED




<b>A</b> Headboard  1pc	<b>B</b> Footboard  1pc	<b>C</b> Extension Leg  2pcs	<b>D</b> Side Rail  2pcs
<b>E</b> Side Rail  2pcs	<b>F</b> Slats  2pcs	<b>G</b> Slats  2pcs	<b>H</b> Support Leg  6pcs
<b>I</b> Bolt 1/4", 57mm  4pcs	<b>J</b> Bolt 1/4", 44mm  6pcs	<b>K</b> Bolt 1/4", 19mm  22pcs	<b>L</b> Nut 1/4"  4pcs
<b>M</b> Flat Washer Ø16mm  32pcs	<b>N</b> Allen Wrench 4x4mm  1pc	<b>O</b> Wrench 11.3mm  1pc	



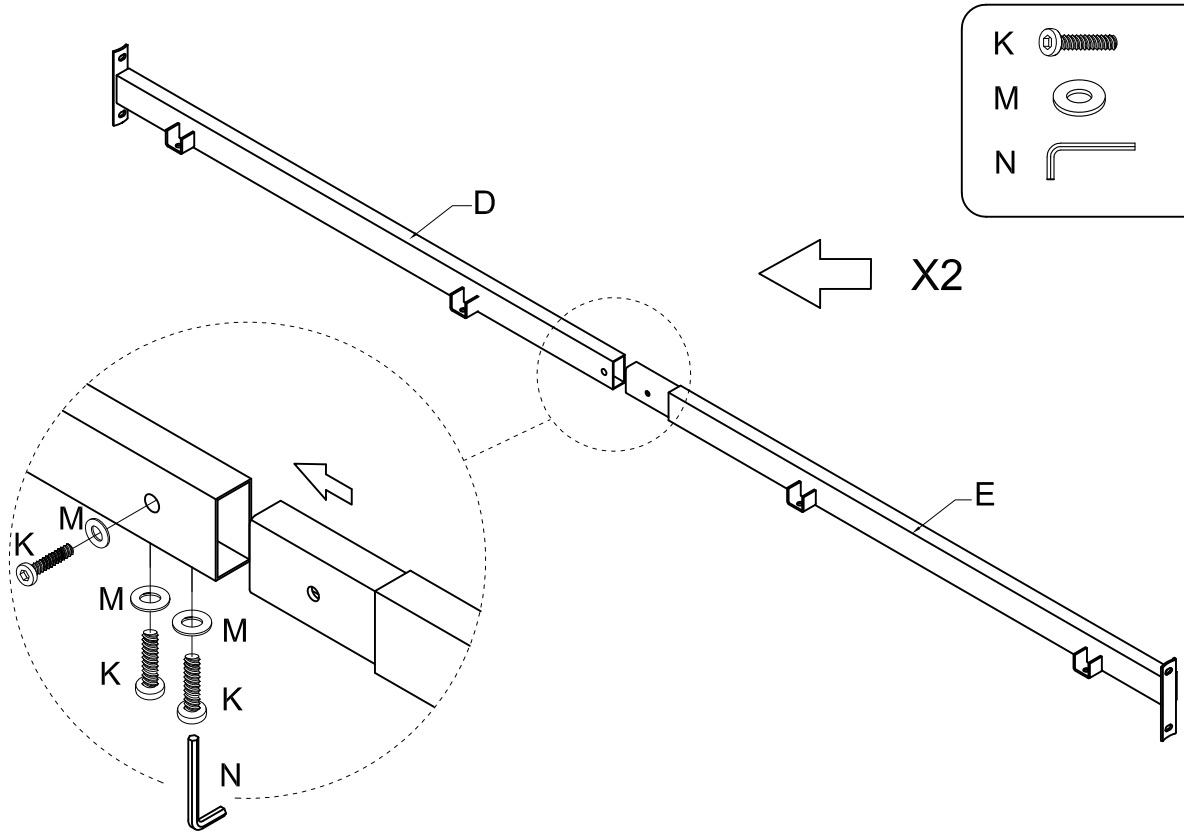
This page lists all the contents included in the box. Please take the time to identify the hardware as well as the individual components to this product. As you unpack and prepare for assembly, place the contents on a carpeted or padded area to protect them from damage.




**1** Assemble the headboard (A) to the extension leg (C) with 4pcs bolts (K) and 4pcs flat washer (M), then fastened using allen wrench (N).



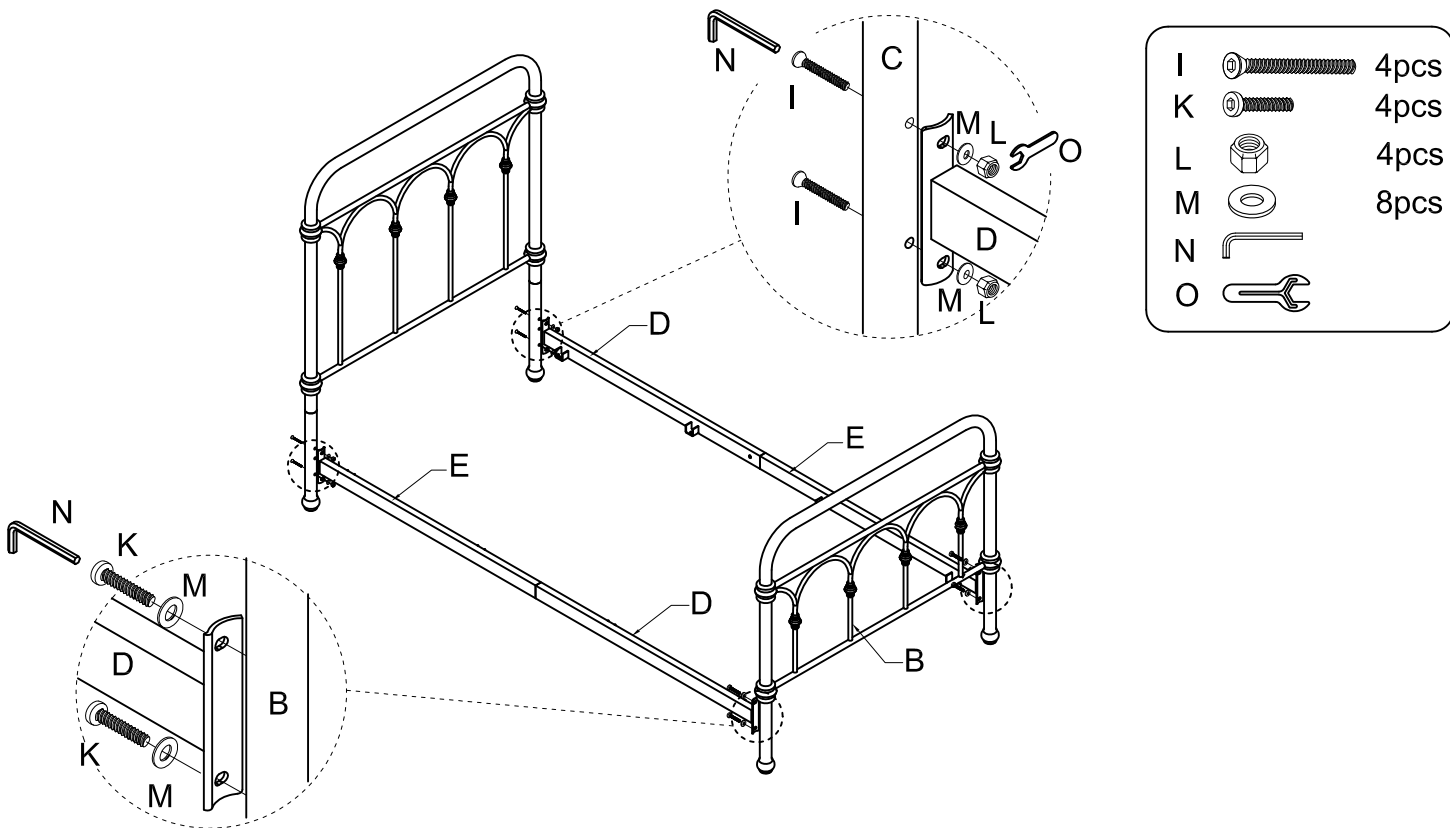
- |   |   |      |
|---|---|------|
| K |  | 4pcs |
| M |  | 4pcs |
| N |  |      |

**2** Assemble the side rail (D) to the side rail (E) with 6pcs bolts (K) and 6pcs flat washer (M), then fastened using allen wrench (N).

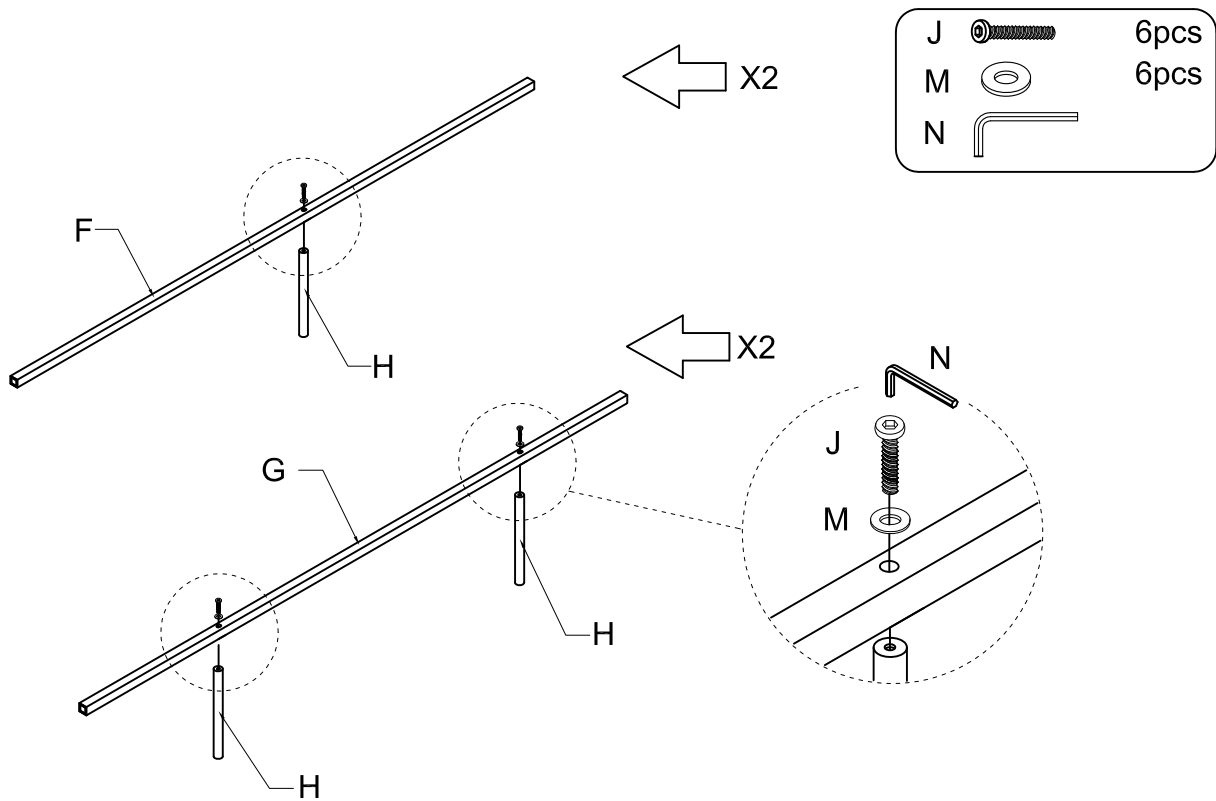


- |   |   |      |
|---|---|------|
| K |  | 6pcs |
| M |  | 6pcs |
| N |  |      |

**3** Assemble the side rail (D) and side rail (E) to the extension leg (C) and the footboard (B) with 4pcs bolts (I), 4pcs bolts (K), 4pcs nuts (L), and 8pcs flat washer (M), then fastened using allen wrench (N) and wrench (O).

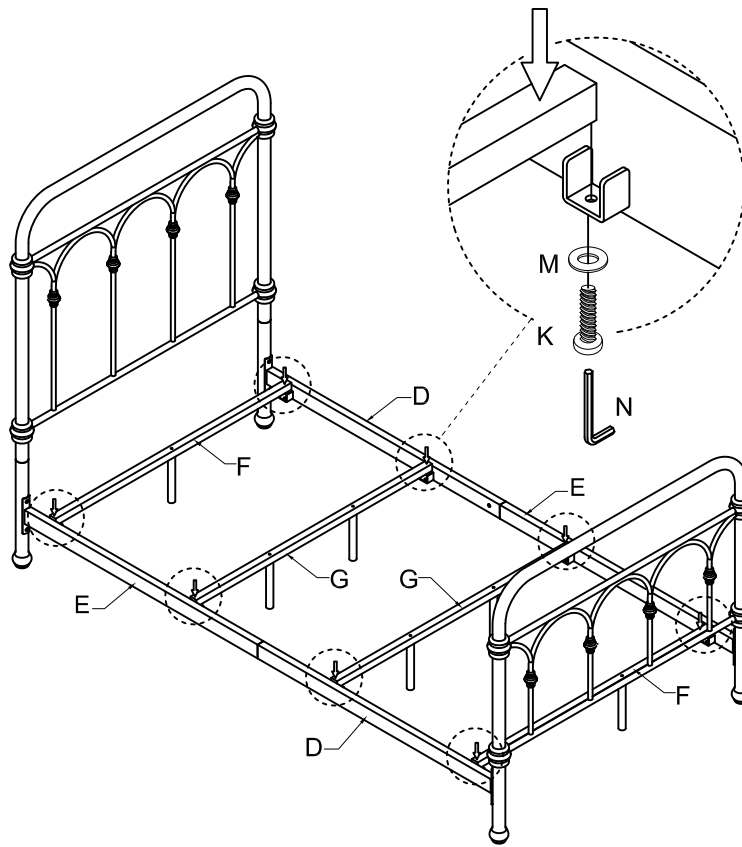


**4** Assemble the slat (F) and slat (G) to the support leg (H) with 1pc bolt (J) and 1pc flat washer (M) for each support leg (H), then fastened using allen wrench (N).



**5**

Assemble the slat (F) and slat (G) to the side rail (D) and side rail (E) with 1 pc bolt (K), 1pc flat washer (M) for each end of slat (F) and slat (G), then fastened using allen wrench (N).



K		8pcs
M		8pcs
N		

#### Cleaning & Care

Treat surface with care. Surface is resistant to scratches but is not scratch resistant. Clean surfaces with a dry or damp soft cloth. Do not use abrasive cleaners. Hardware may loosen over time. Periodically check that all connections are tight.